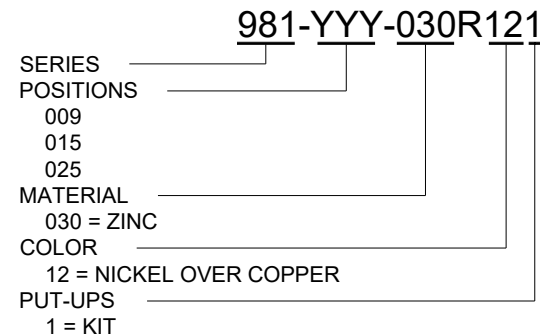
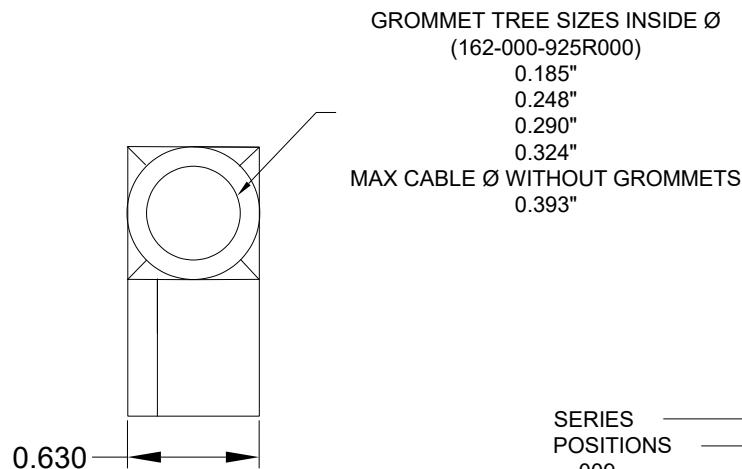
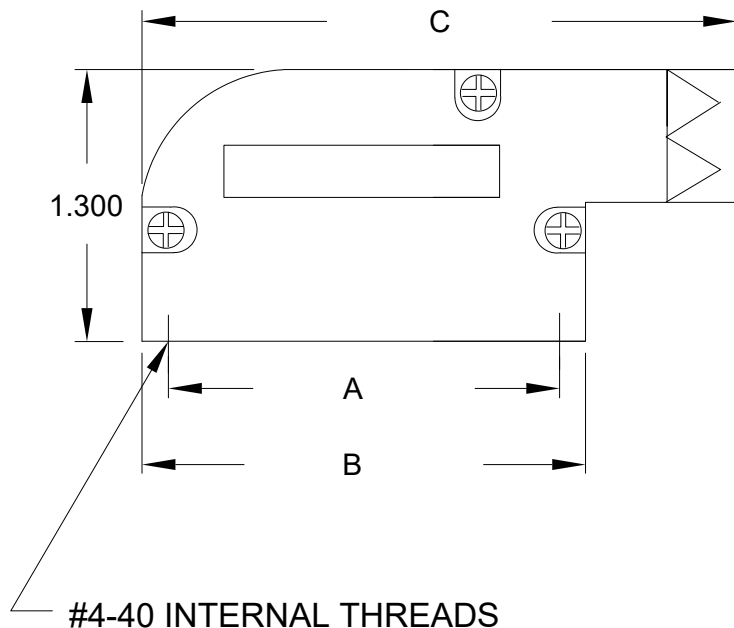


**BACK SHELL KIT INCLUDES:**

- 2 - BACK SHELL HALVES
- 3 - HOUSING SCREWS (#4-40, RECOMMENDED TORQUE 5.2 in-lbs)
- 1 - GROMMET TREE - VARIOUS SIZES  
(NON-CONDUCTIVE GROMMETS)  
P/N = 162-000-925R000

DIMENSIONS(in)			
SIZE	A <sup>±0.010</sup>	B <sup>±0.015</sup>	C <sup>±0.015</sup>
9	0.984	1.240	1.850
15	1.312	1.555	2.323
25	1.852	2.106	2.835



MATERIAL: DIE-CAST ZINC ALLOY, NICKEL PLATED  
OPERATING TEMPERATURE: -45°C TO +120°C

RoHS COMPLIANT

UNITS = inch

DO NOT SCALE FROM DRAWING



THESE DRAWINGS AND SPECIFICATIONS ARE THE PROPERTY OF NorComp AND SHALL NOT BE REPRODUCED, COPIED OR USED AS THE BASIS FOR THE MANUFACTURE OR SALE OF APPARATUS WITHOUT WRITTEN PERMISSION.

DRAWN:  
P. JENKINS

DATE:  
07/28/2005

NorComp

SCALE:  
NTS

SHEET OF  
1 1

REV  
5

DWG NO.

981-YYY-030R121