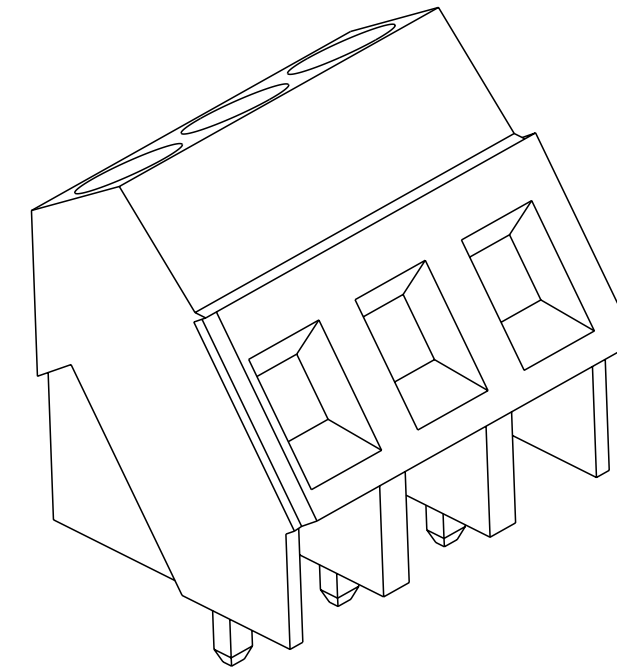
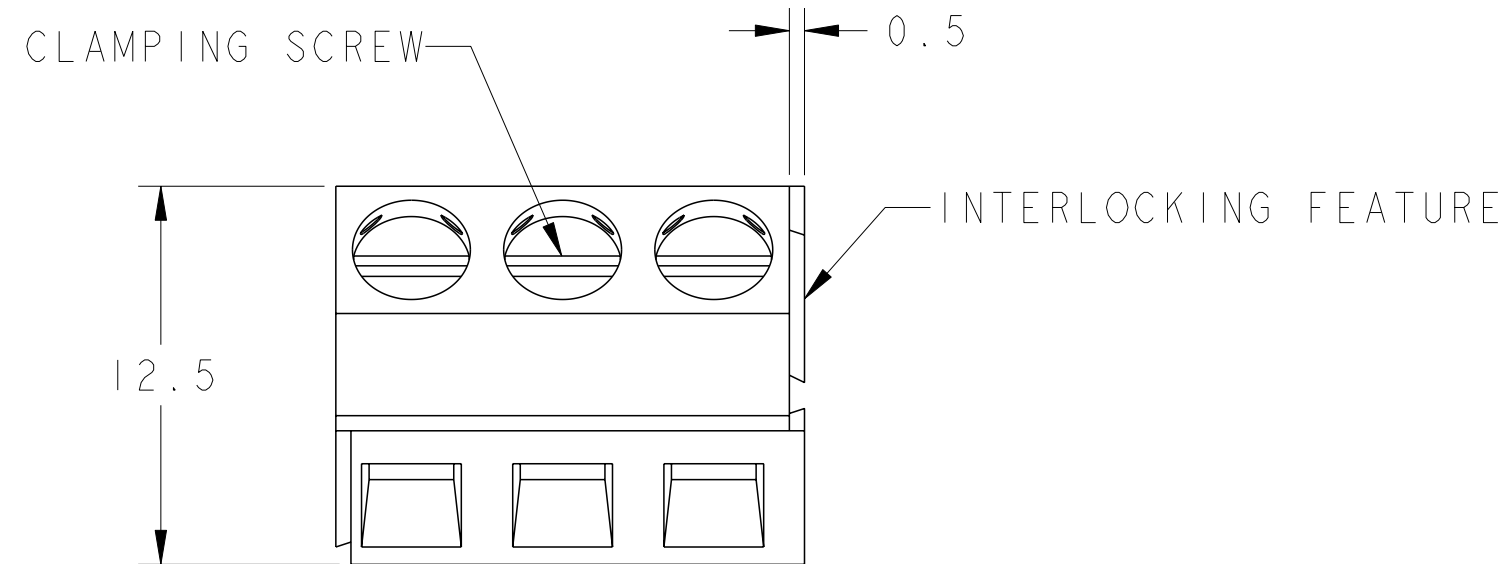
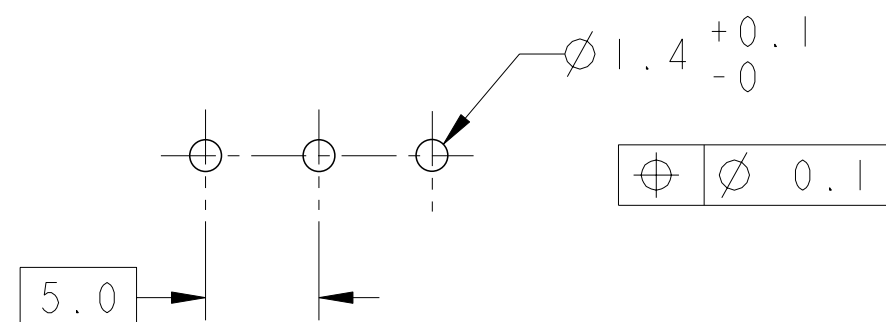
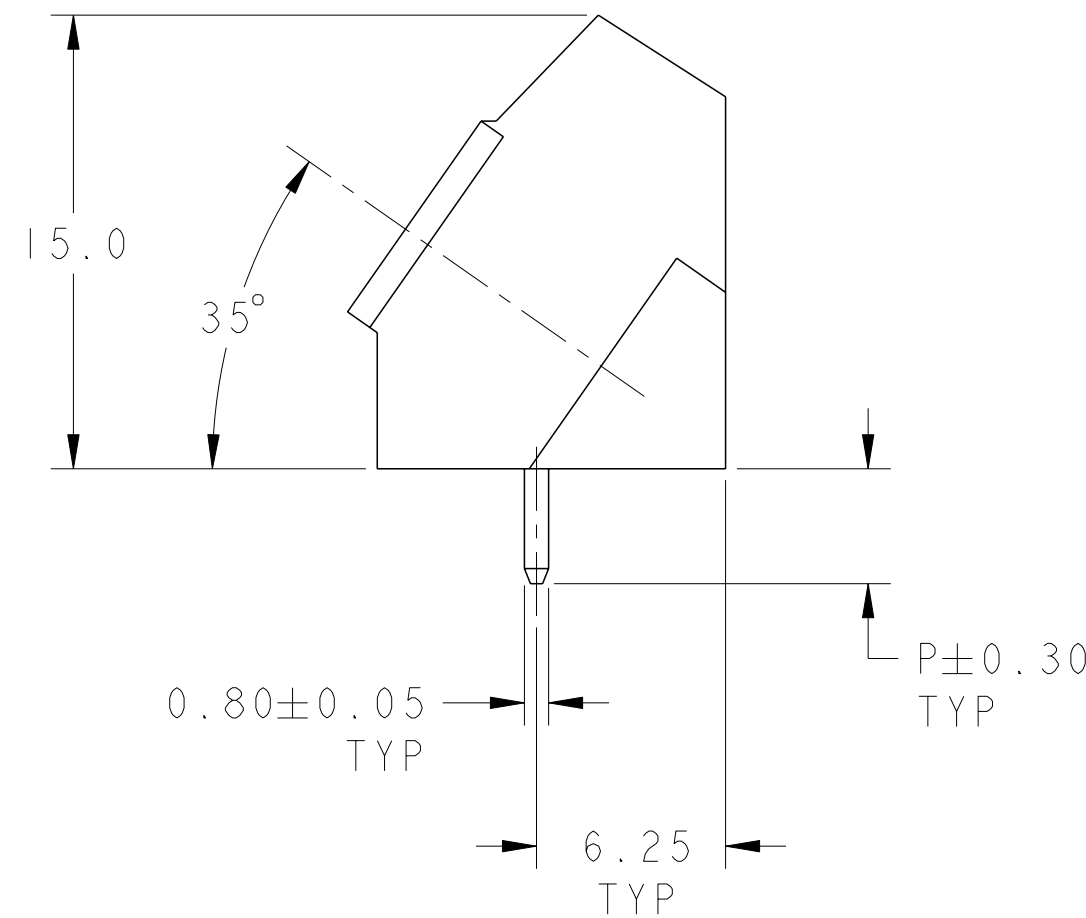
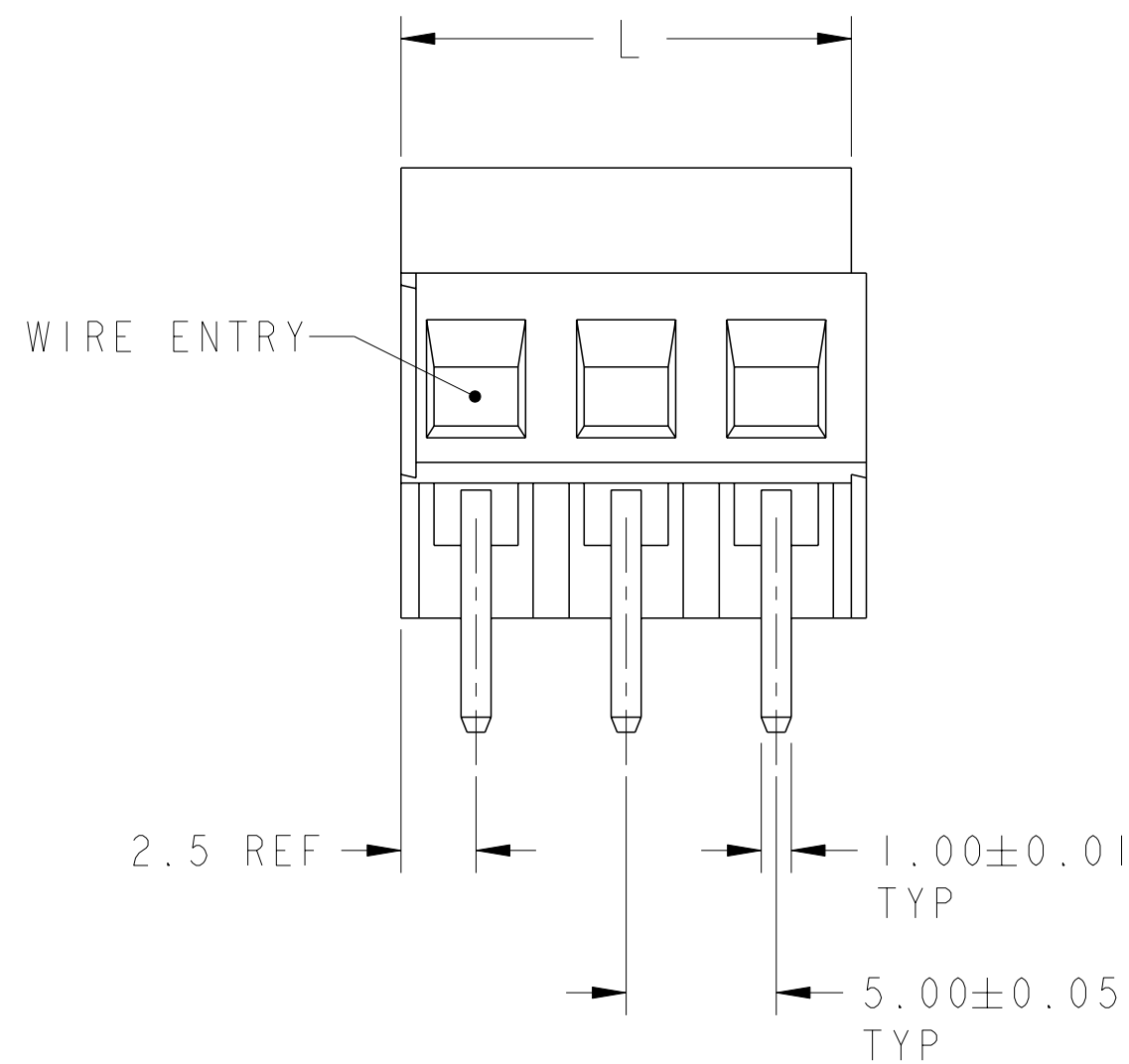


REVISIONS					
P	LTR	DESCRIPTION	DATE	DWN	APVD
E3		REVISED PER ECO-11-008211	21APR2011	HMR	CR
E4		PART STATUS UPDATED	19OCT2021	SCB	SS
E5		ADDING NEW PART NUMBER 4-796690-8	14SEP2023	SP	PS



796690-3 AS SHOWN



RECOMMENDED PC BOARD LAYOUT

INK COLOR	MARKING	P	L	NO OF POSN	PART NUMBER	
					4-796690-8	
OBSOLETE	BLACK	SEE DETAIL J	3.8	10	2	5-796690-6
OBSOLETE	BLACK	SEE DETAIL H	3.8	10	2	5-796690-5
OBSOLETE	BLACK	SEE DETAIL G	3.8	10	2	5-796690-4
OBSOLETE	-	-	6.0	15	3	5-796690-3
OBSOLETE	-	-	6.0	10	2	5-796690-2
OBSOLETE	9	SEE DETAIL B	3.8	10	2	4-796690-2
OBSOLETE	8	SEE DETAIL F	3.8	40	8	3-796690-8
OBSOLETE	9	SEE DETAIL C	3.8	15	3	3-796690-3
OBSOLETE	-	-	3.8	100	20	2-796690-0
OBSOLETE	9	SEE DETAIL C	3.8	15	3	+796690-9
OBSOLETE	9	SEE DETAIL B	3.8	10	2	+796690-8
OBSOLETE	-	-	6.0	15	3	+796690-7
OBSOLETE	-	-	6.0	10	2	+796690-6
OBSOLETE	8	SEE DETAIL E	3.8	25	5	+796690-5
OBSOLETE	8	SEE DETAIL D	3.8	20	4	+796690-4
OBSOLETE	8	SEE DETAIL A	3.8	10	2	+796690-3
-	-	-	3.8	60	12	1-796690-2
-	-	-	3.8	55	11	1-796690-1
-	-	-	3.8	50	10	1-796690-0
-	-	-	3.8	45	9	796690-9
-	-	-	3.8	40	8	796690-8
-	-	-	3.8	35	7	796690-7
-	-	-	3.8	30	6	796690-6
-	-	-	3.8	25	5	796690-5
-	-	-	3.8	20	4	796690-4
-	-	-	3.8	15	3	796690-3
-	-	-	3.8	10	2	796690-2

THIS DRAWING IS A CONTROLLED DOCUMENT.

DWN E. ZANOLINI 14MAR2001
 CHK D. BIEVENOUR 14MAR2001
 APVD D. BIEVENOUR 14MAR2001

STE TE Connectivity

NAME: TERMINAL BLOCK, PCB MOUNT
 ANGLED WIRE ENTRY, STACKING
 W/INTERLOCK, 5mm PITCH

PRODUCT SPEC: 108-20166
 APPLICATION SPEC: 114-20079

SIZE: A2 CAGE CODE: 00779 DRAWING NO: C-796690

MATERIAL: 1 FINISH: 1

WEIGHT: -

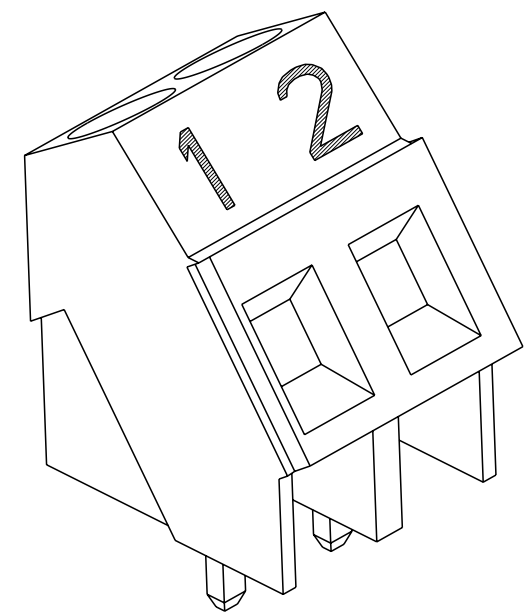
CUSTOMER DRAWING SCALE: 4:1 SHEET: 1 OF 2 REV: E5

Printed on 19 Sep 2023 11:50 (India Standard Time) from TE490671

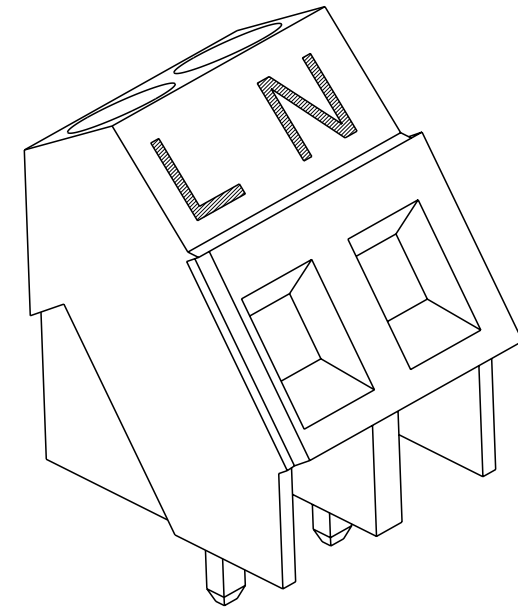
P	LTR	DESCRIPTION	DATE	DWN	APVD
-		SEE SHEET 1	-	-	-

NOTES:

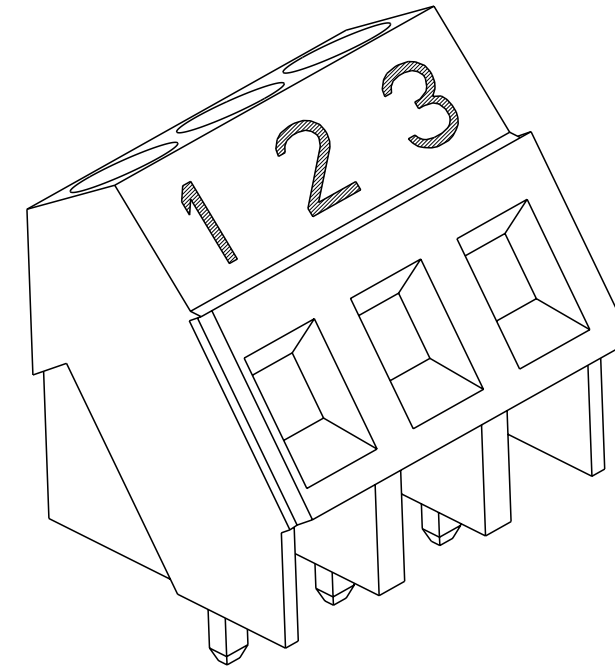
- 1. MATERIALS AND FINISH:
 HOUSING : PA66 , UL94 V0, COLOR- GREEN
 CAGE: COPPER ALLOY , NICKEL PLATED
 TERMINAL : COPPER ALLOY , 4µm TIN PLATING OVER min. 1.27µm
 NICKEL PLATING.
 CLAMPING SCREW : M3 , COPPERY ALLOY , NICKEL PLATED
- 2. SUITABLE FOR 1,6-2,4mm PCB THICKNESS.
- 3. OPERATING TEMPERATURE RANGE : -40C TO +105C.
- 4. ELECTRICAL:
 WIRE RANGE : 30-12 AWG (0.05 ± 3 mm²)
 RATED VOLTAGE : 300V
 RATED CURRENT : 17.5A
 CONTACT RESISTANCE : <15 m Ohm
 INSULATION RESISTANCE : >1000 M Ohm (500V DC)
- 5. RECOGNIZED UNDER THE COMPONENT PROGRAM OF UNDERWRITERS LABORATORIES INC. FILE N° E60677.
- 6. NOTE IS DELETED.
- 7. NOT CUMULATIVE TOLERANCE.
- 8. INK MARKED WHITE, UNLESS OTHERWISE SPECIFIED. NUMERICAL SEQUENCE FROM LEFT TO RIGHT.
- 9. INK MARKED BLACK, UNLESS OTHERWISE SPECIFIED. NUMERICAL SEQUENCE FROM LEFT TO RIGHT.
- 10. BUCHANAN LOGO TO APPEAR ON HOUSING, LOCATION OPTIONAL, WHERE SPACE PERMITS.
- 11. TORQUE : 17.5 in-lbs MAX



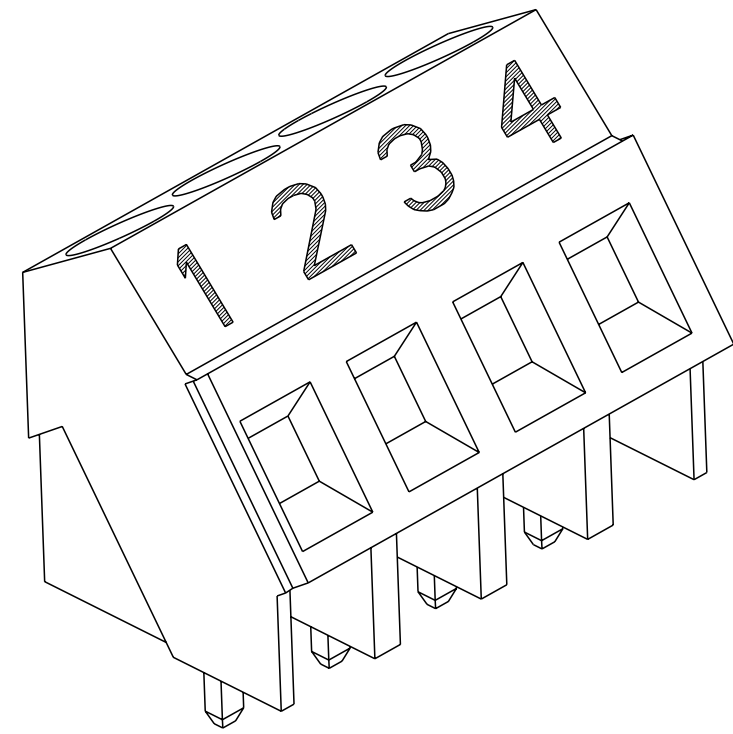
DETAIL A



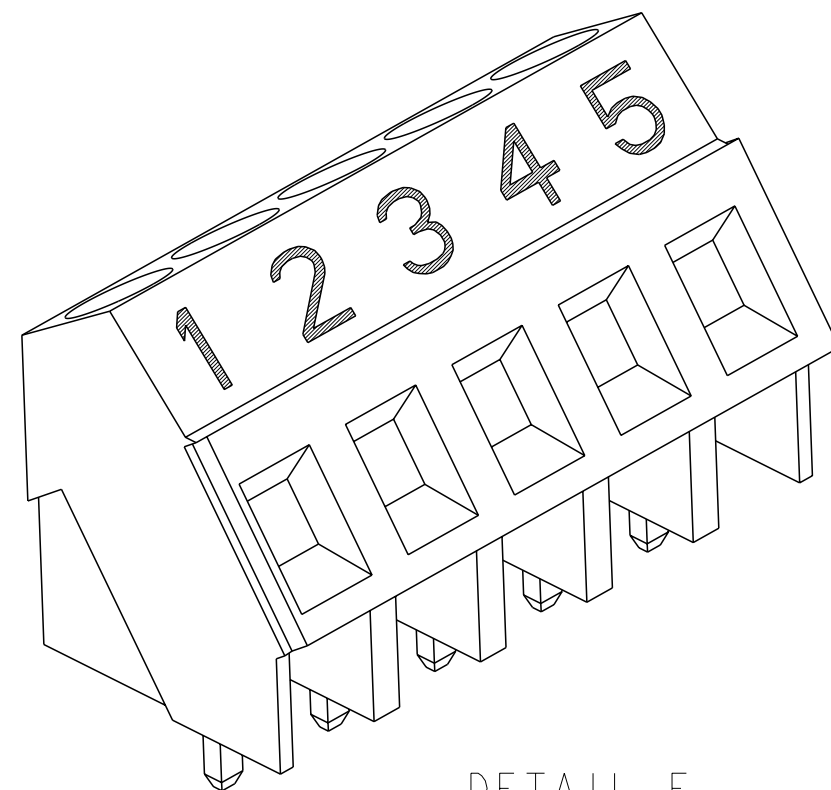
DETAIL B



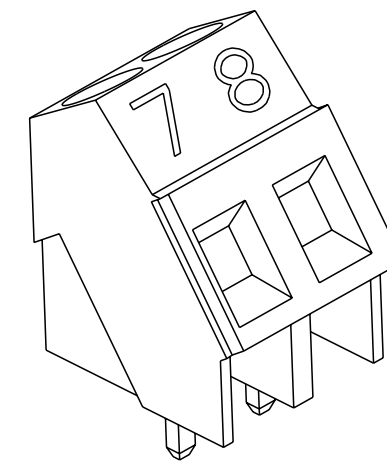
DETAIL C



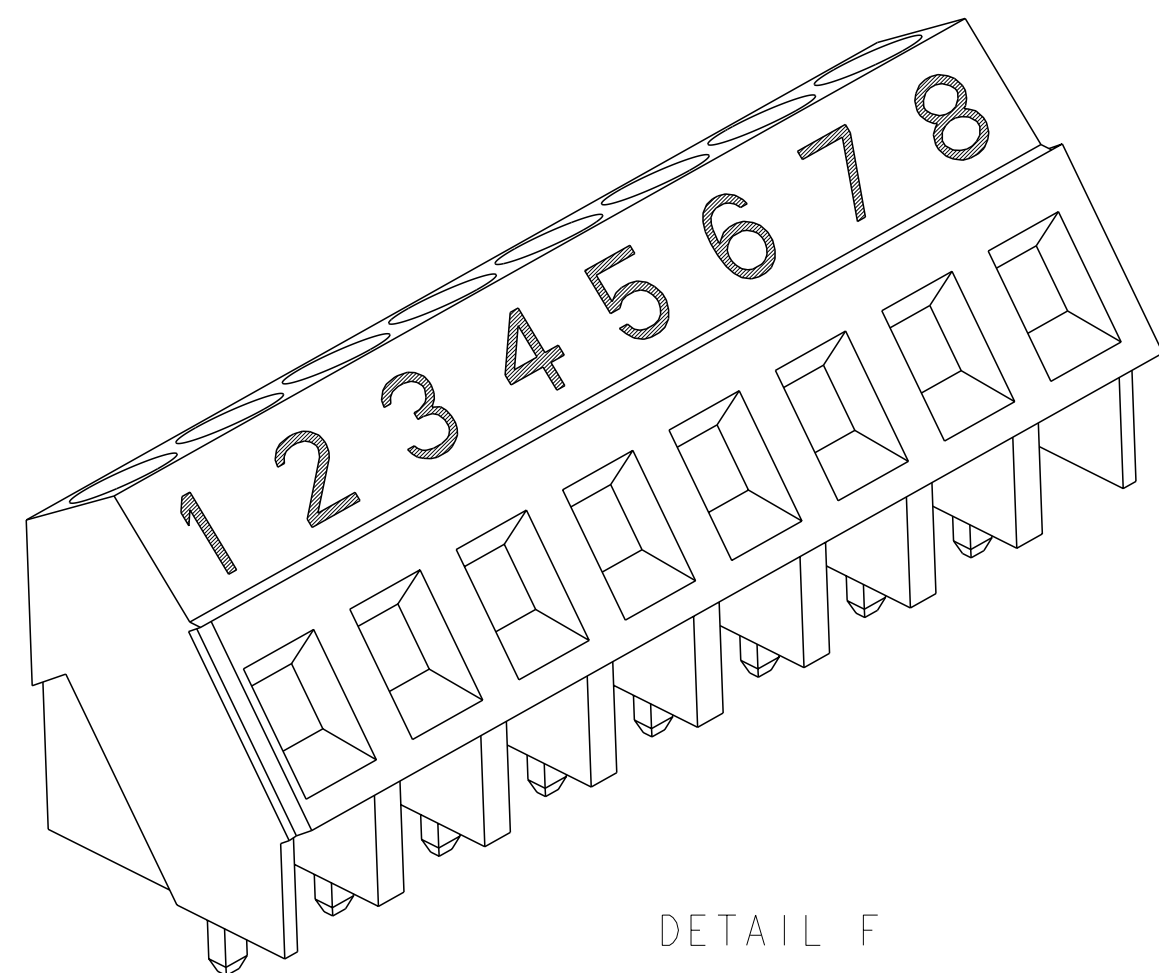
DETAIL D



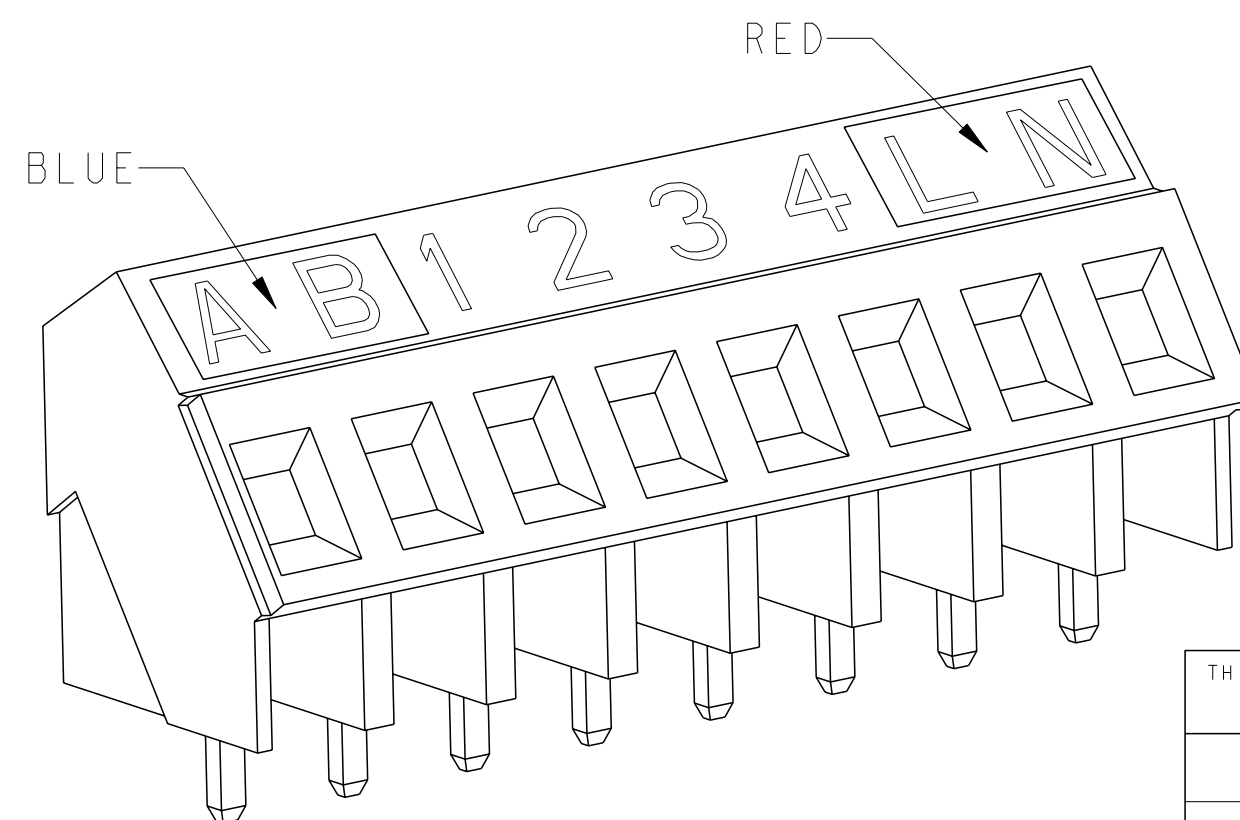
DETAIL E



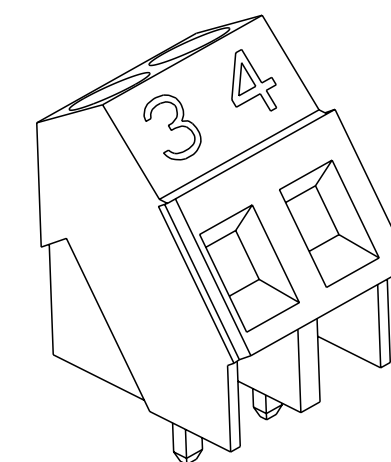
DETAIL G



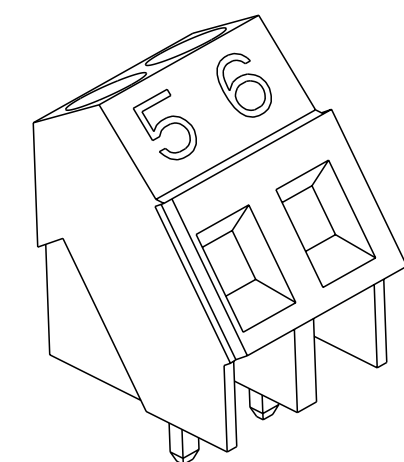
DETAIL F



DETAIL K



DETAIL H



DETAIL J

THIS DRAWING IS A CONTROLLED DOCUMENT.		DWN E. ZANOLINI	14MAR2001	STE TE Connectivity
DIMENSIONS:		CHK D. BIEVENOUR	14MAR2001	
mm		APVD D. BIEVENOUR	14MAR2001	
TOLERANCES UNLESS OTHERWISE SPECIFIED:		PRODUCT SPEC	108-20166	
0 PLC ±.3		APPLICATION SPEC	114-20079	NAME TERMINAL BLOCK, PCB MOUNT ANGLED WIRE ENTRY, STACKING W/INTERLOCK, 5mm PITCH
1 PLC ±.3		WEIGHT	-	SIZE A2
2 PLC ±.25		CUSTOMER DRAWING		CAGE CODE 00779
3 PLC ±.		SCALE 3:1		DRAWING NO G-796690
4 PLC ±.		SHEET 2 OF 2		RESTRICTED TO -
ANGLES ±2		REV E5		
FINISH				