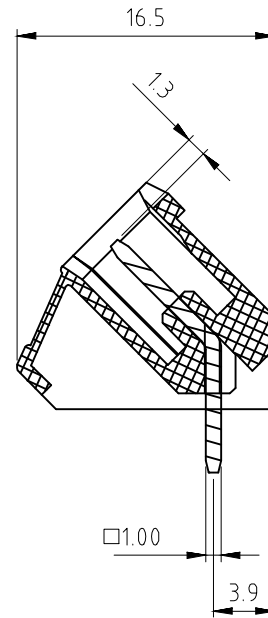
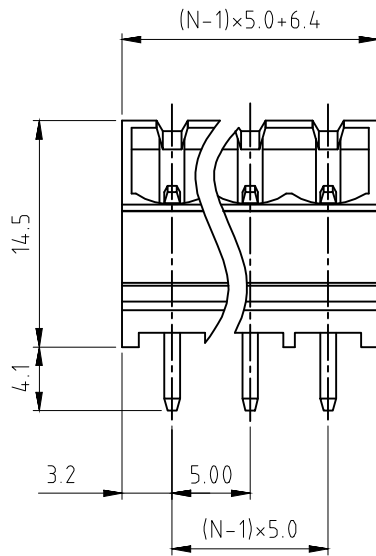


Material

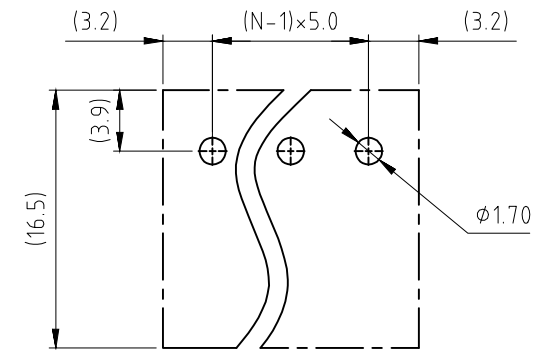
- Contact pin: Brass
- Surface of solder tail: Tin plated
- Insulator (housing): Thermoplastic (UL94V-0)Green

Electrical cULus /VDE / TUV

- Voltage rating: 300V/300V/300V
- Current rating: 15A/17A/20A
- Wire range:
- Solid wire(AWG):
- Stranded wire(AWG):
- Wire strip length:
- Withstanding Voltage: 1.6KV/2.5KV/2.5KV
- Operating temperature: -30°C to +105°C
- Soldering temperature: 250°C±10°C/5 Sec
- Safety Approval:



P.C.B LAYOUT



N=Number of contacts

RoHS compliant

Unit: mm



File No.: E349947

| | | | | | | | | |
|-----------|-------|-----|--------------|------------|--------|----------|------------|--------------|
| Scale | 1:1 | | | | | Date | Name | Customer-No. |
| TOLERANCE | | | | | | Drawn | 10.12.2009 | Dean |
| X. | ±0.50 | | | | | Approved | 18.04.2016 | Joanna |
| X.X | ±0.30 | | | | | | | |
| X.XX | ±0.10 | | | | | | | |
| DIM | TOL | ② | Add UL | 18.04.2016 | Joanna | | | |
| X.° | ±1° | ① | Drawn | 10.12.2009 | Dean | | | |
| Angle | TOL | Id. | Modification | Date | Name | | | |

Customer-No.

ASSMANN WSW-No.

A-TB500-VKxx

Drawing-No.

ASS 3878 CO

rev02

Replace

Sheet