

1

2

3

4

5

6

7

A

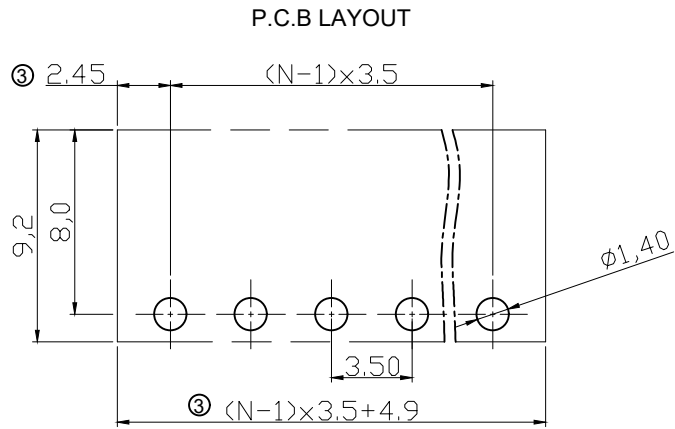
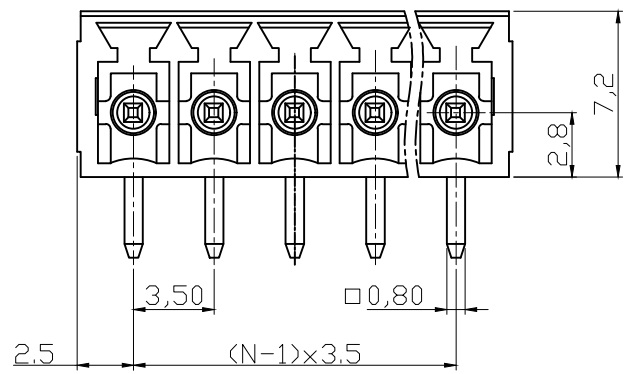
A

B

B

C

C



Material
 Terminal body
 (contact pin): Brass(CuZn) Tin plated
 Insulator (housing): Thermoplastic (UL94V-0),Green

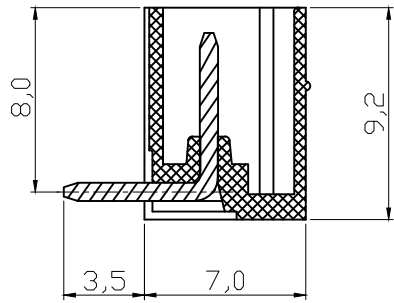
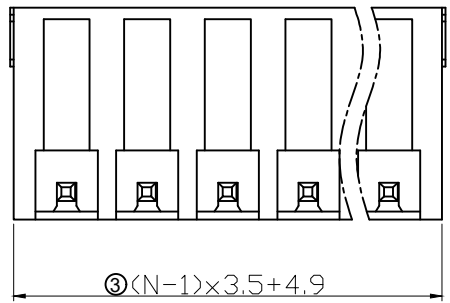
Electrical cULus
 Voltage rating: 300VAC
 Current rating: 10A
 Withstanding Voltage: 1.6KV
 Operating temperature: -30°C to +105°C
 Soldering temperature: 250°C±10°C/5 Sec
 Safety Approval:

D

D

E

E



N= NUMBER OF CONTACTS

F

F

RoHS compliant

Scale	1:1					Date	Name	Customer-No.	
TOLERANCE						Drawn	29.07.2009	Dean	
X.	±0.50					Approved	26.05.2022	Daniel	
X.X	±0.30							ASSMANN WSW-No. A-TB350-OQxxCH	
X.XX	±0.10	③	Update dimension	26.05.2022	Daniel			Drawing-No.	
DIM	TOL	②	Modify Notes	10.12.2009	Dean	ASSMANN WSW components		ASS 3601 CO	rev03
X.°	±1°	①	Drawn	29.07.2009	Dean			Replace	Sheet
Angle	TOL	Id.	Modification	Date	Name				

G

G

H

H

1

2

3

4

5

6

7