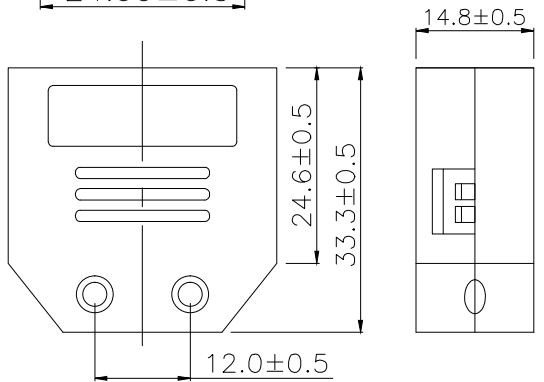
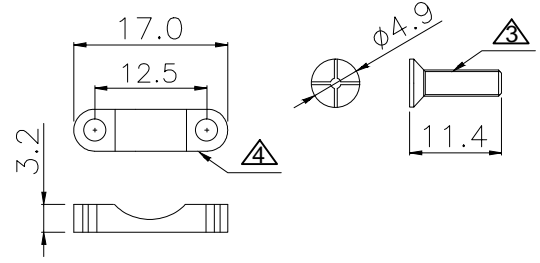
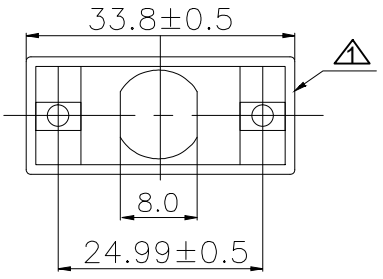
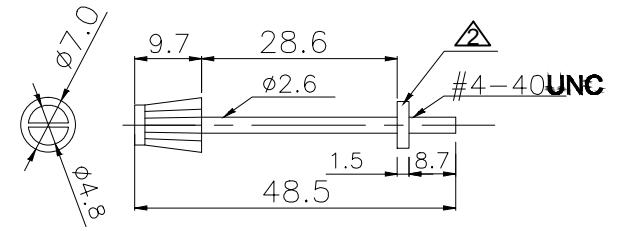
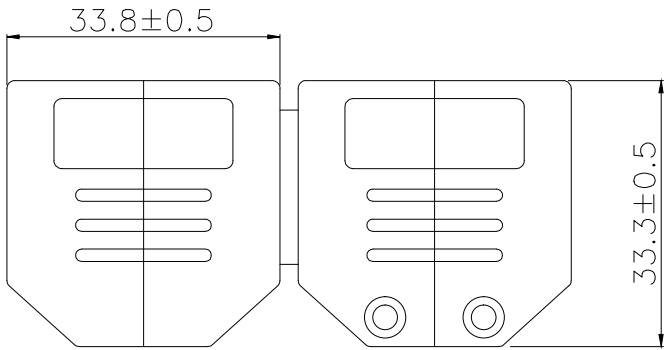


09Pin



A-FT XX
No. of Contacts

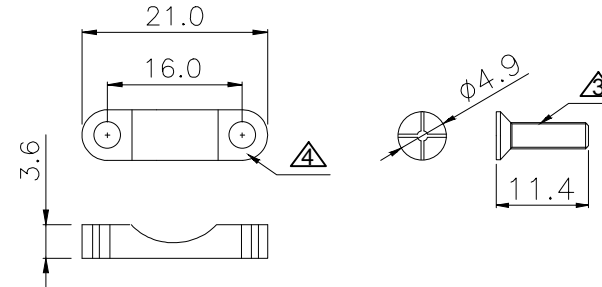
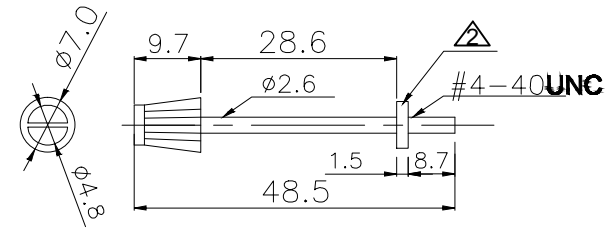
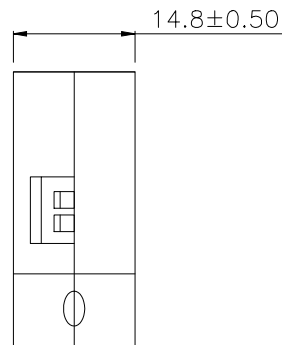
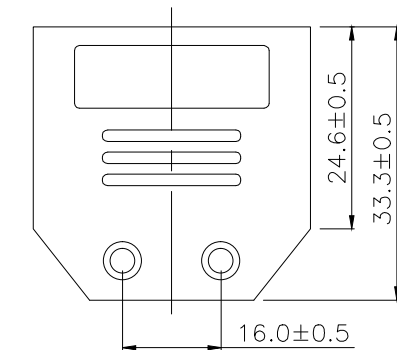
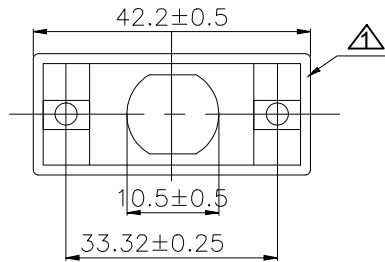
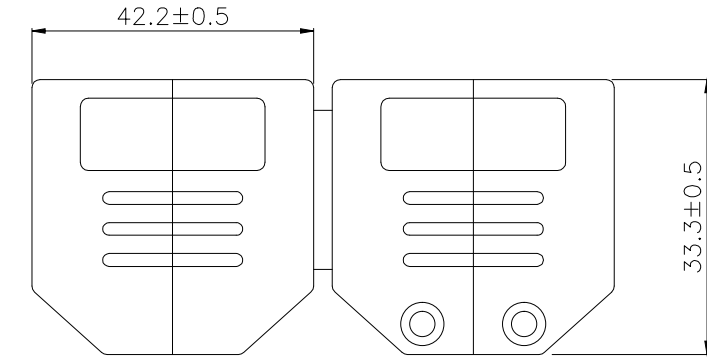
④	Clamp Black	PP	Color:Black	1
③	Lock Screw	Steel	Ni Plated,Color:Black	2
②	Thumb Screw	Steel	Ni Plated,Color:Black	2
①	Plastic Hood	PP	Plastic Color:Black	1
No.	Description	Material	Finish/Remark	Q'ty

RoHS compliant

Scale	1:1					Date	Name	Customer-No.
TOLERANCE						Drawn	10.12.2008	Dean
X.X	±0.25					Approved	30.07.2018	Winnie
X.XX	±0.15							
X.XXX	±0.10							
DIM	TOL	②	UPDATE	30.07.2018	Xavier			
X.°	±x°	①	Drawn	10.12.2008	Dean			
X.X°	±x°							
Angle	TOL	Id.	Modification	Date	Name			

Customer-No.	
ASSAMNN WSW-No. A-FT XX	
Drawing-No.	rev02
Replace	Sheet 1/5

15Pin



A-FT XX

No. of Contacts

④	Clamp Black	PP	Color:Black	1
③	Lock Screw	Steel	Ni Plated,Color:Black	2
②	Thumb Screw	Steel	Ni Plated,Color:Black	2
①	Plastic Hood	PP	Plastic Color:Black	1
No.	Description	Material	Finish/Remark	Q'ty

RoHS compliant

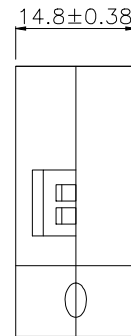
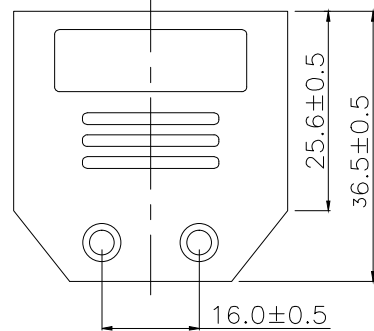
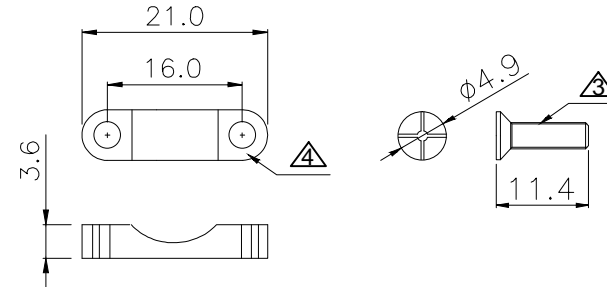
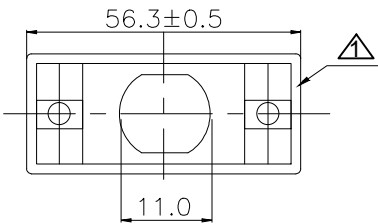
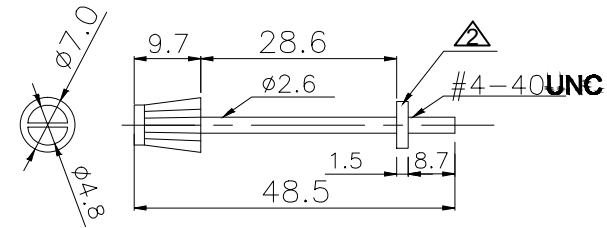
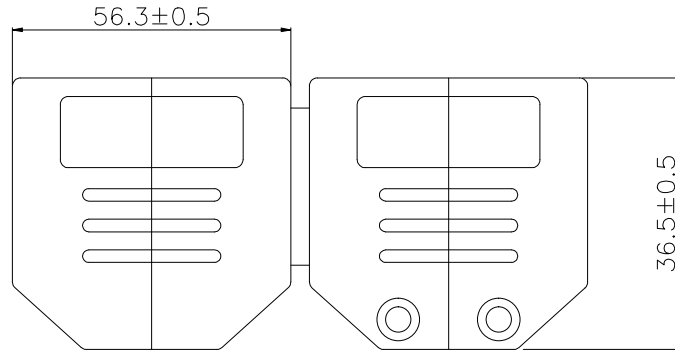
Scale	1:1
TOLERANCE	
X.X	±0.25
X.XX	±0.15
X.XXX	±0.10
DIM	TOL
X.°	±x°
X.X°	±x°
Angle	TOL

②	UPDATE	30.07.2018	Xavier
①	Drawn	10.12.2008	Dean
Id.	Modification	Date	Name

Drawn	10.12.2008	Dean
Approved	30.07.2018	Winnie
ASSMANN WSW components		

Customer-No.	
ASSAMNN WSW-No. A-FT XX	
Drawing-No.	rev02
Replace	Sheet 2/5

25Pin




A-FT XX

No. of Contacts

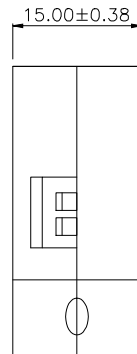
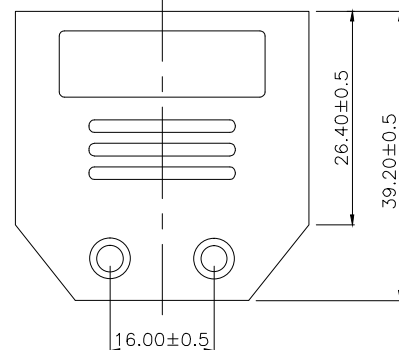
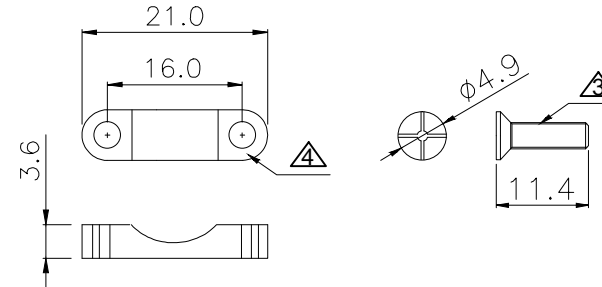
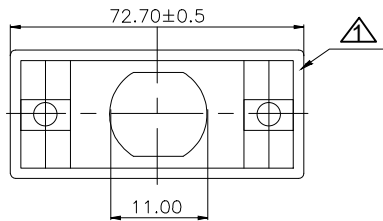
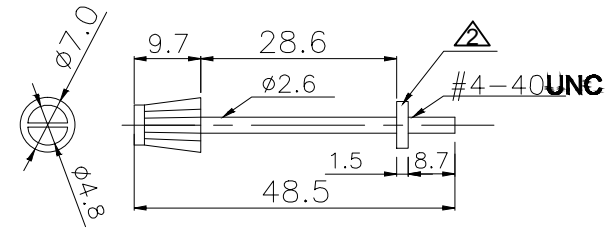
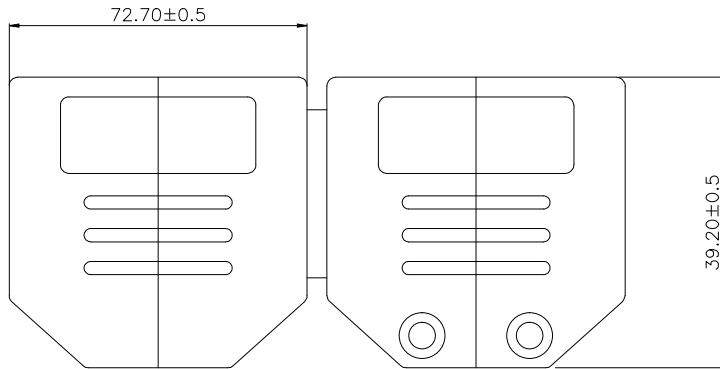
④	Clamp Black	PP	Color:Black	1
③	Lock Screw	Steel	Ni Plated,Color:Black	2
②	Thumb Screw	Steel	Ni Plated,Color:Black	2
①	Plastic Hood	PP	Plastic Color:Black	1
No.	Description	Material	Finish/Remark	Q'ty

RoHS compliant

Scale	1:1					Date	Name	Customer-No.
TOLERANCE						Drawn	10.12.2008	Dean
X.X	±0.25					Approved	30.07.2018	Winnie
X.XX	±0.15							
X.XXX	±0.10							
DIM	TOL	②	UPDATE	30.07.2018	Xavier			
X.°	±x°	①	Drawn	10.12.2008	Dean			
X.X°	±x°							
Angle	TOL	Id.	Modification	Date	Name	Replace		Sheet 3/5

Customer-No.	
ASSAMNN WSW-No.	
A-FT XX	
Drawing-No.	rev02
Replace	Sheet 3/5

37Pin




A-FT XX

No. of Contacts

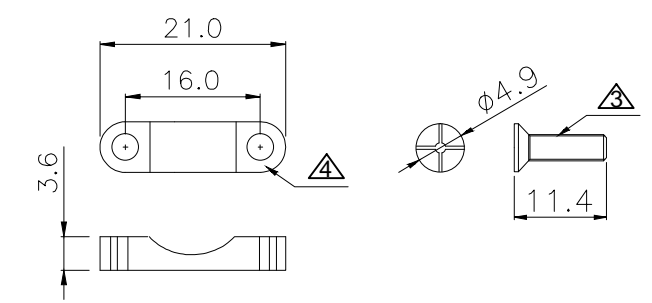
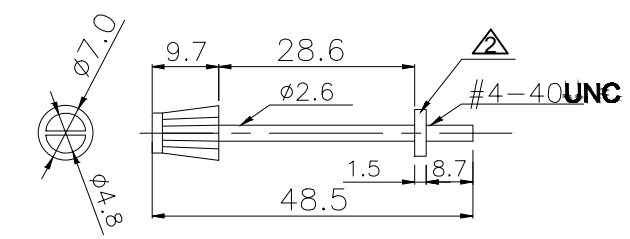
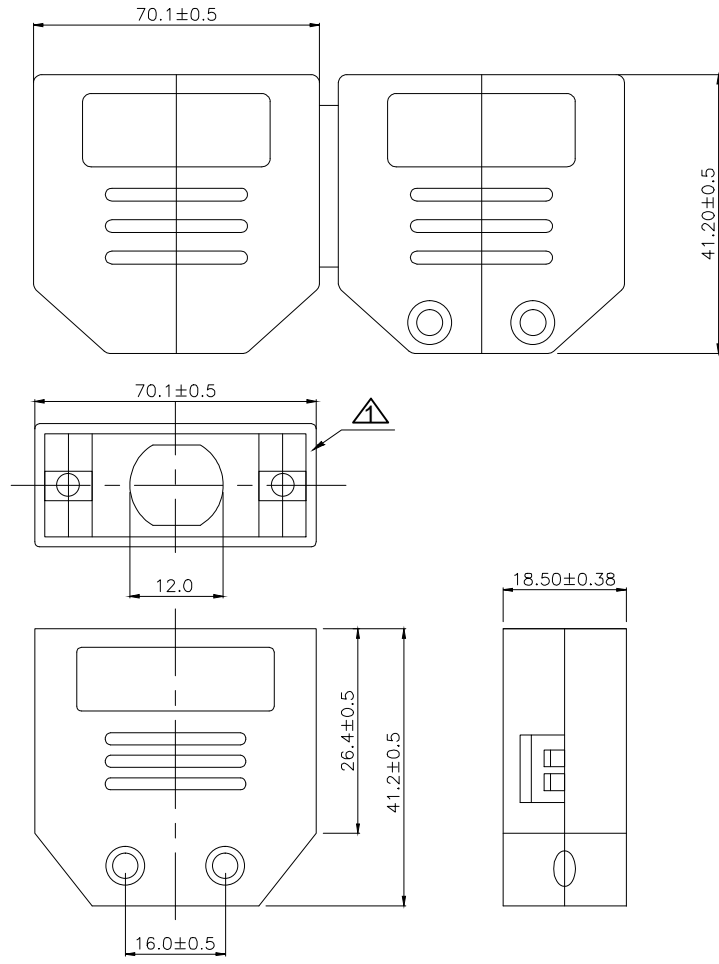
④	Clamp Black	PP	Color:Black	1
③	Lock Screw	Steel	Ni Plated,Color:Black	2
②	Thumb Screw	Steel	Ni Plated,Color:Black	2
①	Plastic Hood	PP	Plastic Color:Black	1
No.	Description	Material	Finish/Remark	Q'ty

RoHS compliant

Scale	1:1					Date	Name	Customer-No.
TOLERANCE						Drawn	10.12.2008	Dean
X.X	±0.25					Approved	30.07.2018	Winnie
X.XX	±0.15							
X.XXX	±0.10							
DIM	TOL	②	UPDATE	30.07.2018	Xavier			
X.°	±x°	①	Drawn	10.12.2008	Dean			
X.X°	±x°							
Angle	TOL	Id.	Modification	Date	Name	Replace		Sheet 4/5

Customer-No.	
ASSAMNN WSW-No. A-FT XX	
Drawing-No.	rev02
Replace	Sheet 4/5

50Pin



A-FT XX
 No. of Contacts

④	Clamp Black	PP	Color:Black	1
③	Lock Screw	Steel	Ni Plated,Color:Black	2
②	Thumb Screw	Steel	Ni Plated,Color:Black	2
①	Plastic Hood	PP	Plastic Color:Black	1
No.	Description	Material	Finish/Remark	Q'ty

RoHS compliant

Scale	1:1					Date	Name	Customer-No.
TOLERANCE						Drawn	10.12.2008	Dean
X.X	±0.25					Approved	30.07.2018	Winnie
X.XX	±0.15							
X.XXX	±0.10							
DIM	TOL	②	UPDATE	30.07.2018	Xavier			
X.°	±x°	①	Drawn	10.12.2008	Dean			
X.X°	±x°							
Angle	TOL	Id.	Modification	Date	Name			



Customer-No.	
ASSAMNN WSW-No. A-FT XX	
Drawing-No.	rev02
Replace	Sheet 5/5