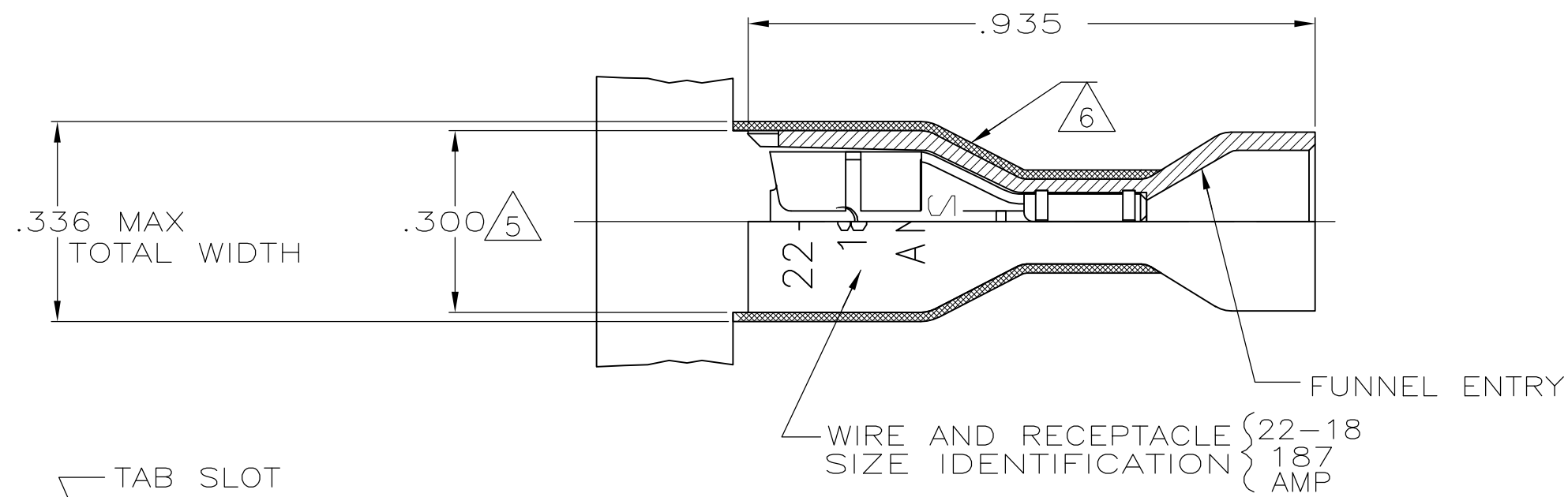
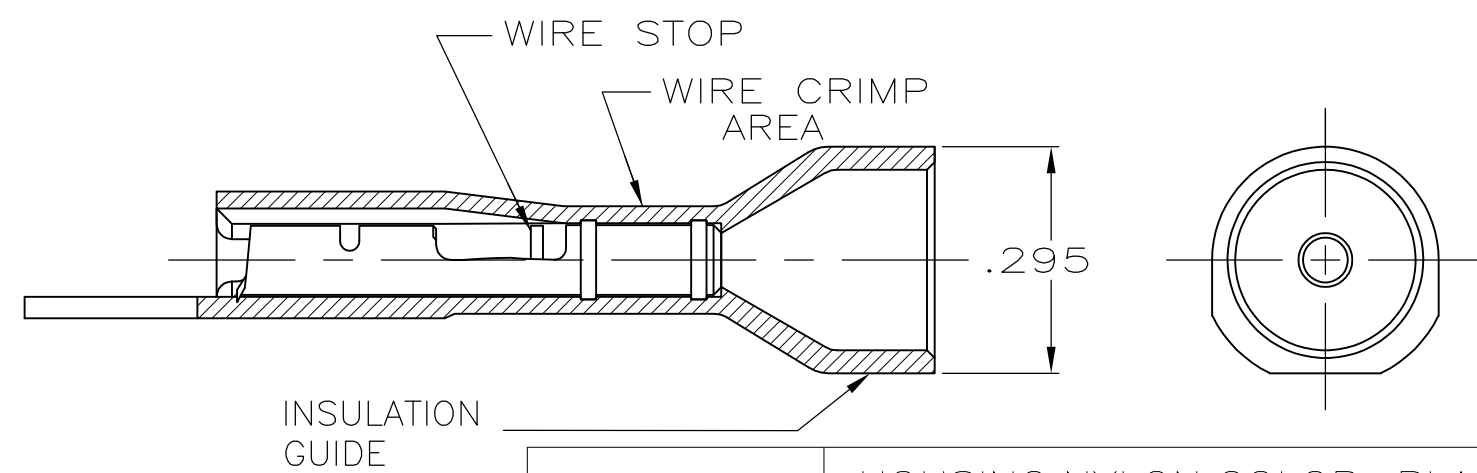
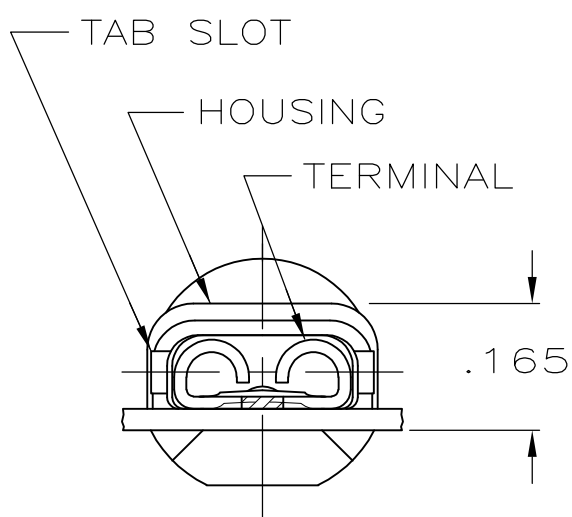


THIS DRAWING IS UNPUBLISHED. RELEASED FOR PUBLICATION  
 © COPYRIGHT - By - ALL RIGHTS RESERVED.

LOC	DIST	REVISIONS					
AF	50	P	LTR	DESCRIPTION	DATE	DWN	APVD
		R		REVISED PER ECR-13-004343	30JUL13	KH	KR



- 1 MATES WITH .020±.001X.187 TAB
- 2 WIRE STRIP LENGTH .281
- 3 INSULATION SIZE .230 MAX DIA
- 4 CONTINUOUS STRIP ON REELS
- 5 DIMENSION DOES NOT INCLUDE TRIM BURR
- 6 .015 MAX CARRIER TRIM BURR PER SIDE IS ALLOWABLE IN THE SHADED AREA



STANDARD	HOUSING:NYLON,COLOR-BLACK RECEPTACLE:BRASS, TIN	9-520261-2
OBSOLETE	BULK	5-520261-2
STANDARD	HOUSING:NYLON,COLOR-RED TRANSLUCENT RECEPTACLE:BRASS, TIN	2-520261-2
PACKAGING	MATERIAL & FINISH	PART NO.

THIS DRAWING IS A CONTROLLED DOCUMENT.		DWN P FORTNEY 11/4/88	TE Connectivity RECEPTACLE ASSY,ULTRA-FAST, .187 SERIES, 22-18 AWG			
DIMENSIONS: INCHES		CHK MS FEHER 11/7/88				
TOLERANCES UNLESS OTHERWISE SPECIFIED:		APVD T SHUTTER 11/7/88				
0 PLC ± - 1 PLC ± - 2 PLC ± - 3 PLC ± .015 4 PLC ± - ANGLES ± -		NAME				
MATERIAL SEE TABLE	FINISH SEE TABLE	PRODUCT SPEC 108-2043	SIZE	CAGE CODE	DRAWING NO	RESTRICTED TO
		APPLICATION SPEC 114-2123	A3	00779	C-520261	-
CUSTOMER DRAWING			SCALE 4:1	SHEET 1 OF 1	REV R	