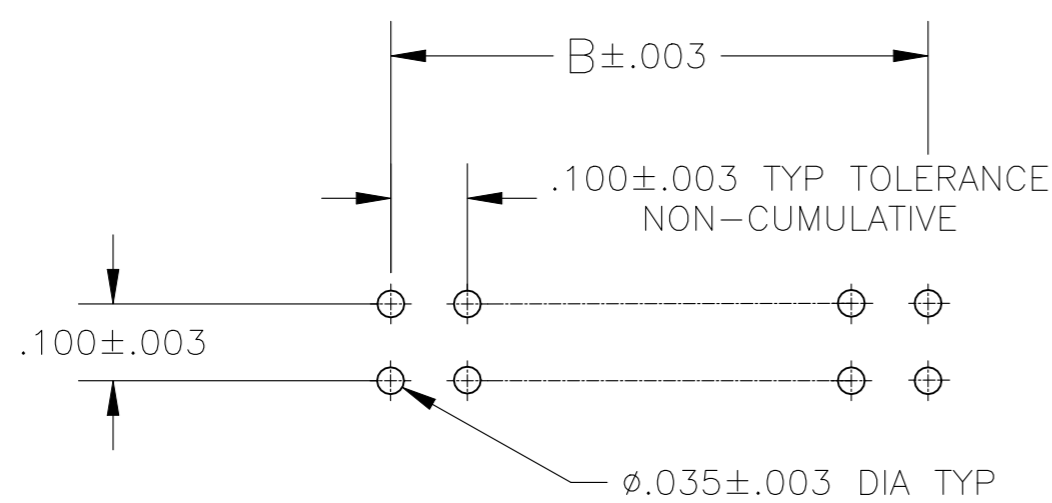
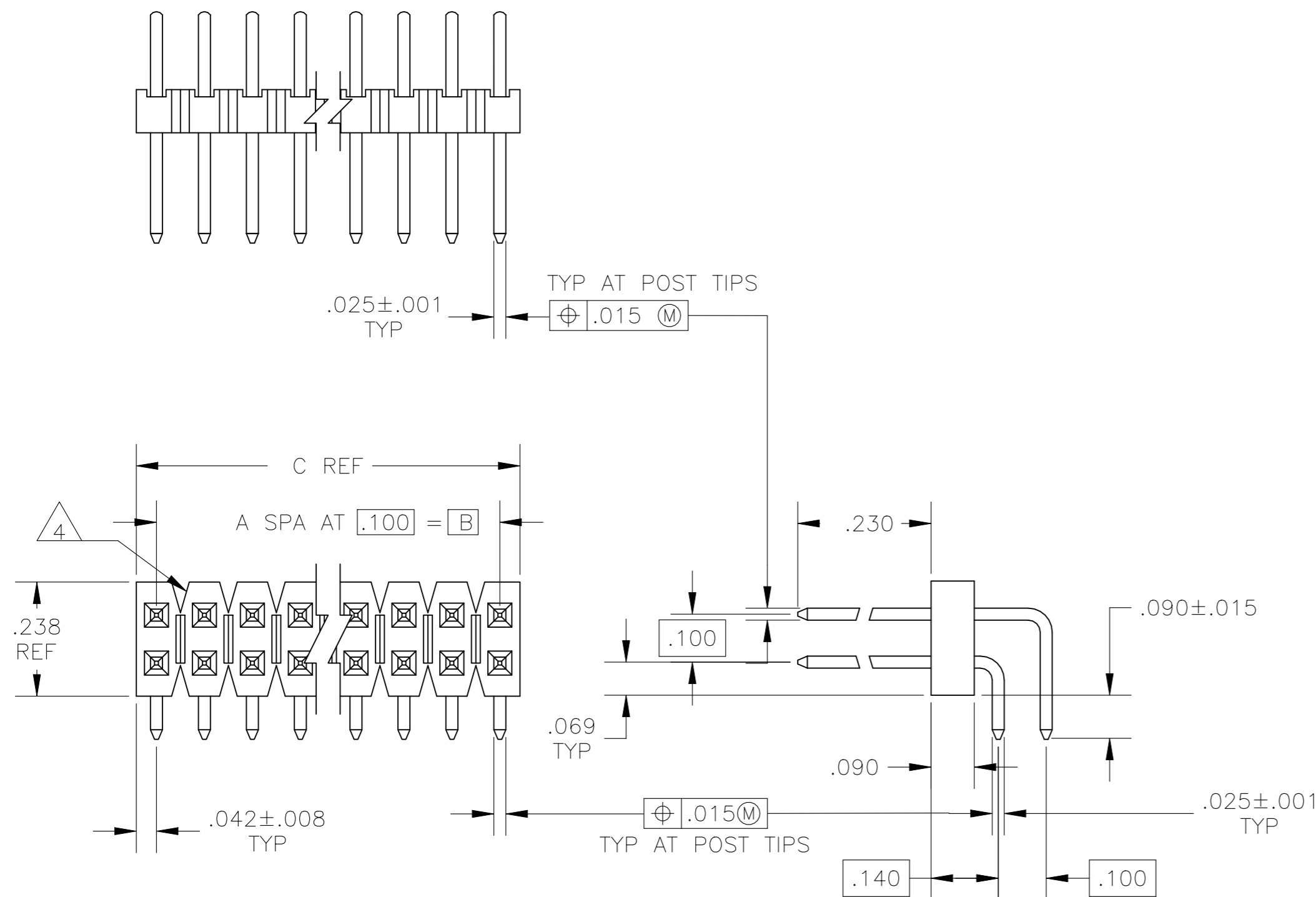


REVISIONS				
P	LTR	DESCRIPTION	DATE	APVD
M2		REVISED PER ECN-22-153449	12MAY2022	RK MF



RECOMMENDED HOLE LAYOUT

- 1 ASSEMBLIES MAY BE BROKEN TO THE DESIRED NUMBER OF POSITIONS
- 2 TRUE POSITION TOLERANCE OF THE POST TIPS APPLIES WHEN THE HEADERS ARE HELD FLAT AGAINST THE PRINTED CIRCUIT BOARD
- 3 $.000100-.000200$ MATTE TIN-LEAD OVER $.000050$ NICKEL ENTIRE POST
- 4 BREAKAWAY NOTCH ANGLE CAN BE ORIENTED TO THE RIGHT (AS SHOWN) OR TO THE LEFT
- 5 $.000100-.000200$ BRIGHT TIN OVER $.000050$ NICKEL ENTIRE POST
- 6 PRELIMINARY PART-NOT RELEASED FOR PRODUCTION.
- 7 $.000100-.000200$ MATTE TIN OVER $.000050$ NICKEL ENTIRE POST
- 8 HIGH TEMP CONFIGURATION
- 9 OBSOLETE PARTS: OBSOLETE CIS STREAMLINING PER D.RENAUD/D.SINISI

THIS DRAWING IS A CONTROLLED DOCUMENT.		DWN L. D. RINGLEY 30JUL85																				
DIMENSIONS: INCHES		CHK J. GESFORD 27AUG03																				
TOLERANCES UNLESS OTHERWISE SPECIFIED:		APVD J. GESFORD 27AUG03	NAME ASSEMBLY, MOD II, HEADER, B/A, DR, RA, .100X.100 C/L, WITH .025 SQ. POSTS																			
<table border="1"> <tr><td>0 PLC</td><td>±</td><td>-</td></tr> <tr><td>1 PLC</td><td>±</td><td>-</td></tr> <tr><td>2 PLC</td><td>±</td><td>-</td></tr> <tr><td>3 PLC</td><td>±</td><td>.005</td></tr> <tr><td>4 PLC</td><td>±</td><td>-</td></tr> <tr><td>ANGLES</td><td>±</td><td>-</td></tr> </table>		0 PLC	±	-	1 PLC	±	-	2 PLC	±	-	3 PLC	±	.005	4 PLC	±	-	ANGLES	±	-	PRODUCT SPEC -	SIZE A2	CAGE CODE 00779
0 PLC	±	-																				
1 PLC	±	-																				
2 PLC	±	-																				
3 PLC	±	.005																				
4 PLC	±	-																				
ANGLES	±	-																				
MATERIAL CONTACT: COPPER ALLOY		FINISH SEE TABLE	WEIGHT -	DRAWING NO C=103795																		
CUSTOMER DRAWING			SCALE 4:1	SHEET 1 OF 2																		
			REV M2	RESTRICTED TO -																		

REVISIONS

P	LTR	DESCRIPTION	DATE	DWN	APVD
-	-	SEE SHEET 1	-	-	-

REMARKS	PLATING	C	B	A	NO OF POS	ASSEMBLY PART NUMBER
△8	△7	3.984	3.900	39	80	9-103795-0
△8	△7	3.884	3.800	38	78	8-103795-9
△8	△7	3.784	3.700	37	76	8-103795-8
△8	△7	3.684	3.600	36	74	8-103795-7
△8	△7	3.584	3.500	35	72	8-103795-6
△8	△7	3.484	3.400	34	70	8-103795-5
△8	△7	3.284	3.300	33	68	8-103795-4
△8	△7	3.284	3.200	32	66	8-103795-3
△8	△7	3.184	3.100	31	64	8-103795-2
△8	△7	3.084	3.000	30	62	8-103795-1
△8	△7	2.984	2.900	29	60	8-103795-0
△8	△7	2.884	2.800	28	58	7-103795-9
△8	△7	2.784	2.700	27	56	7-103795-8
△8	△7	2.684	2.600	26	54	7-103795-7
△8	△7	2.584	2.500	25	52	7-103795-6
△8	△7	2.484	2.400	24	50	7-103795-5
△8	△7	2.384	2.300	23	48	7-103795-4
△8	△7	2.284	2.200	22	46	7-103795-3
△8	△7	2.184	2.100	21	44	7-103795-2
△8	△7	2.084	2.000	20	42	7-103795-1
△8	△7	1.984	1.900	19	40	7-103795-0
△8	△7	1.884	1.800	18	38	6-103795-9
△8	△7	1.784	1.700	17	36	6-103795-8
△8	△7	1.684	1.600	16	34	6-103795-7
△8	△7	1.584	1.500	15	32	6-103795-6
△8	△7	1.484	1.400	14	30	6-103795-5
△8	△7	1.384	1.300	13	28	6-103795-4
△8	△7	1.284	1.200	12	26	6-103795-3
△8	△7	1.184	1.100	11	24	6-103795-2
△8	△7	1.084	1.000	10	22	6-103795-1
△8	△7	.984	.900	9	20	6-103795-0
△8	△7	.884	.800	8	18	5-103795-9
△8	△7	.784	.700	7	16	5-103795-8
△8	△7	.684	.600	6	14	5-103795-7
△8	△7	.584	.500	5	12	5-103795-6
△8	△7	.484	.400	4	10	5-103795-5
△8	△7	.384	.300	3	8	5-103795-4
△8	△7	.284	.200	2	6	5-103795-3
△8	△7	.184	.100	1	4	5-103795-2
△8	△7	.084	---	---	2	5-103795-1

REMARKS	PLATING	C	B	A	NO OF POS	ASSEMBLY PART NUMBER	
SUPERSEDED		△5	.384	.300	3	8	4-103795-1
OBSOLETE		△3	3.984	3.900	39	80	4-103795-0
		△3	3.884	3.800	38	78	3-103795-9
		△3	3.784	3.700	37	76	3-103795-8
		△3	3.684	3.600	36	74	3-103795-7
		△3	3.584	3.500	35	72	3-103795-6
		△3	3.484	3.400	34	70	3-103795-5
		△3	3.284	3.300	33	68	3-103795-4
		△3	3.284	3.200	32	66	3-103795-3
		△3	3.184	3.100	31	64	3-103795-2
		△3	3.084	3.000	30	62	3-103795-1
		△3	2.984	2.900	29	60	3-103795-0
		△3	2.884	2.800	28	58	2-103795-9
		△3	2.784	2.700	27	56	2-103795-8
		△3	2.684	2.600	26	54	2-103795-7
		△3	2.584	2.500	25	52	2-103795-6
		△3	2.484	2.400	24	50	2-103795-5
		△3	2.384	2.300	23	48	2-103795-4
		△3	2.284	2.200	22	46	2-103795-3
		△3	2.184	2.100	21	44	2-103795-2
		△3	2.084	2.000	20	42	2-103795-1
		△3	1.984	1.900	19	40	2-103795-0
		△3	1.884	1.800	18	38	1-103795-9
△9 SUPERSEDED		△3	1.784	1.700	17	36	1-103795-8
		△3	1.684	1.600	16	34	1-103795-7
		△3	1.584	1.500	15	32	1-103795-6
		△3	1.484	1.400	14	30	1-103795-5
		△3	1.384	1.300	13	28	1-103795-4
		△3	1.284	1.200	12	26	1-103795-3
		△3	1.184	1.100	11	24	1-103795-2
		△3	1.084	1.000	10	22	1-103795-1
△9 OBSOLETE		△3	.984	.900	9	20	1-103795-0
△9 OBSOLETE		△3	.884	.800	8	18	103795-9
△9 SUPERSEDED		△3	.784	.700	7	16	103795-8
		△3	.684	.600	6	14	103795-7
		△3	.584	.500	5	12	103795-6
		△3	.484	.400	4	10	103795-5
		△3	.384	.300	3	8	103795-4
		△3	.284	.200	2	6	103795-3
		△3	.184	.100	1	4	103795-2
		△3	.084	---	---	2	103795-1

THIS DRAWING IS A CONTROLLED DOCUMENT.

DWN	L. D. RINGLEY	30JUL85
CHK	J. GESFORD	27AUG03
APVD	J. GESFORD	27AUG03
PRODUCT SPEC		
APPLICATION SPEC		
WEIGHT	-	
CUSTOMER DRAWING		

STE TE Connectivity Ltd.

ASSEMBLY, MOD II, HEADER, BREAKAWAY, DOUBLE ROW, RIGHT ANGLE, .100X.100 C/L, WITH .025 SQ. POSTS

SIZE	A2	CAGE CODE	00779	DRAWING NO	C=103795	RESTRICTED TO	-
SCALE	1:1	SHEET	2	OF 2	REV	M2	