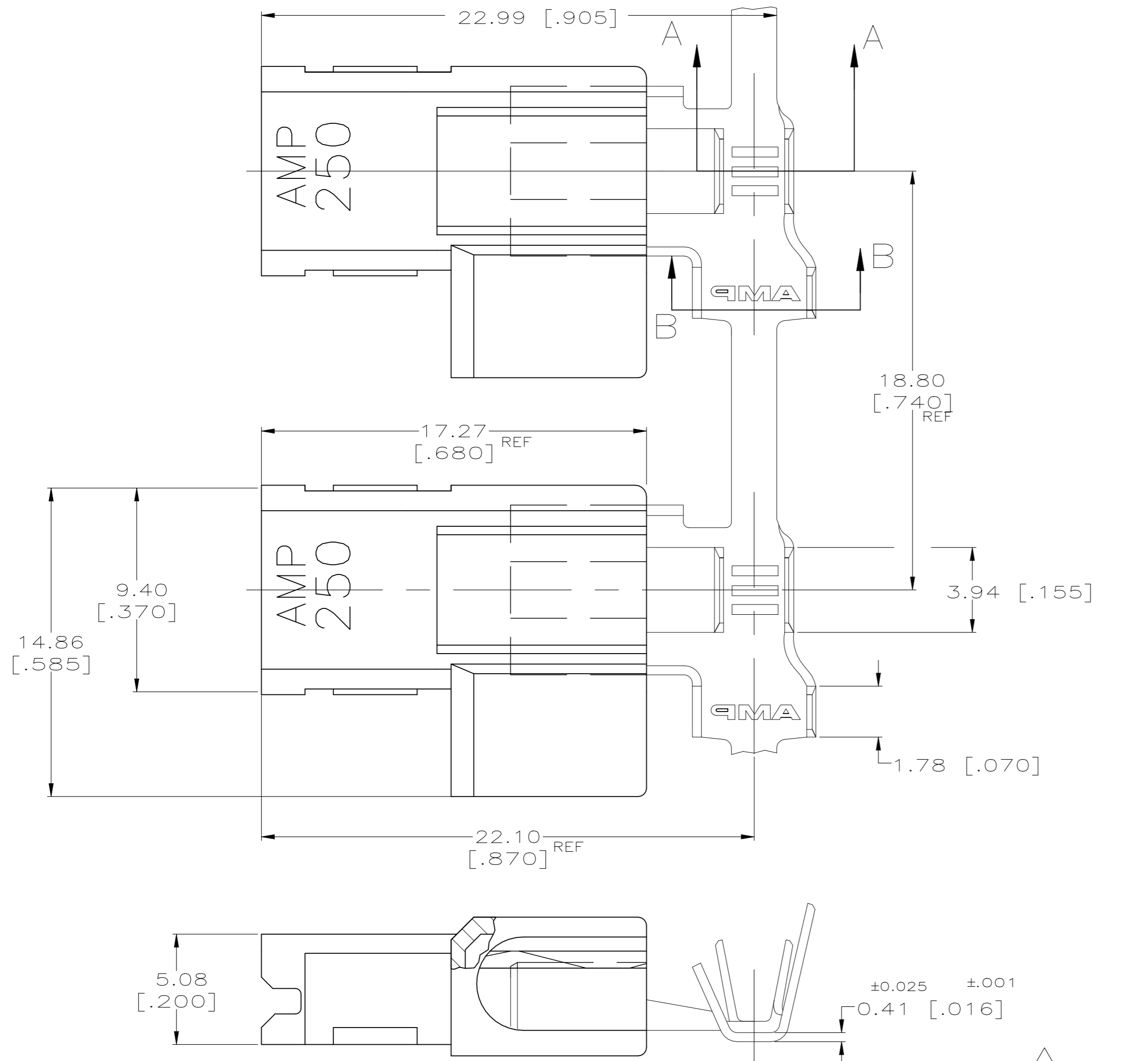
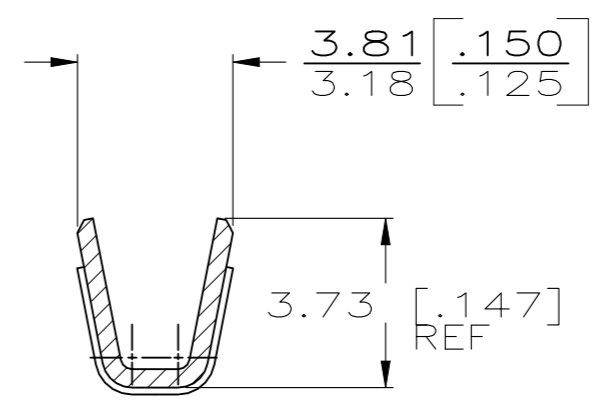


THIS DRAWING IS UNPUBLISHED. RELEASED FOR PUBLICATION
 © COPYRIGHT BY TYCO ELECTRONICS CORPORATION. ALL RIGHTS RESERVED.

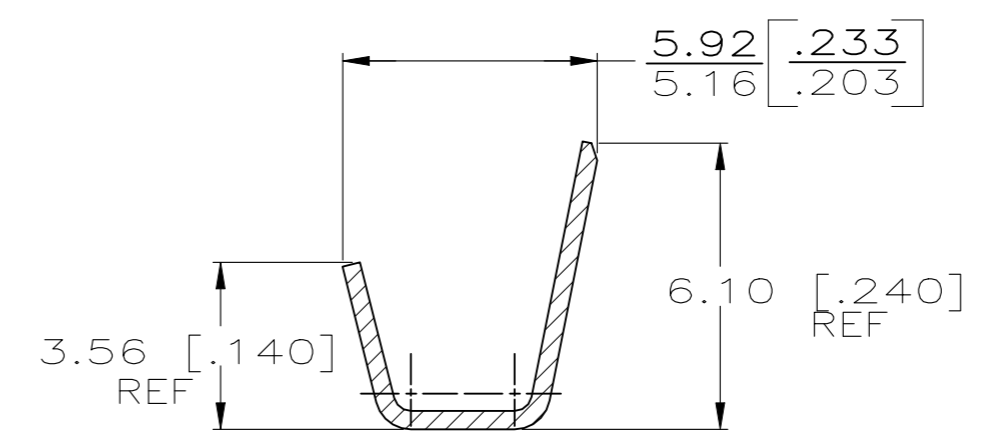
LOC	DIST	REVISIONS			
P	LTR	DESCRIPTION	DATE	DWN	APVD
AF	50	C2	REV PER ECR-23-171758	13APR23	DB BW



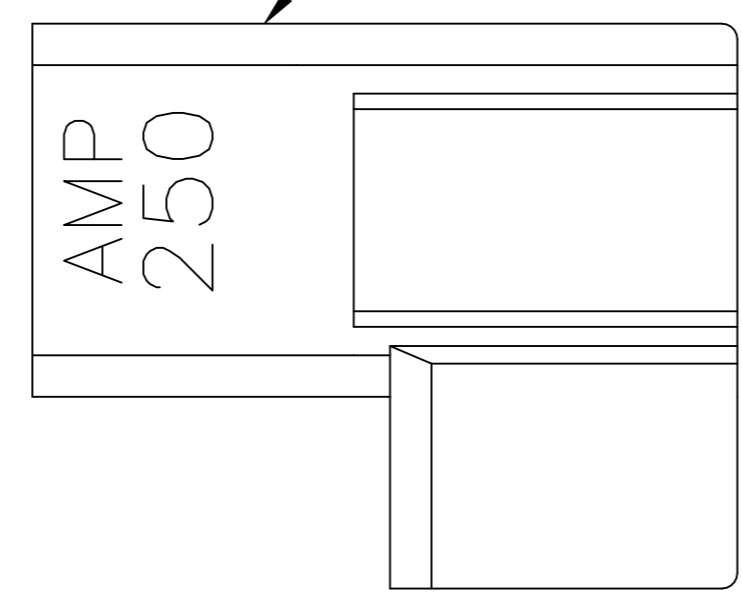
- 1 BUDGET FLAG FASTON TERMINALS, (STRESS RELIEVED) BASE P/N 63559, ARE USED IN THIS PRODUCT.
- 2 WIRE SIZE [#18-#14] AWG.
- 3 INSULATION RANGE IS 2.79-4.06 [.110-.160] DIA.
- △ ALTERNATIVE HOUSING FORM



SECTION A-A



SECTION B-B



OBSELETE

STANDARD	6/6 NYLON / NATURAL	TIN PLATE - 4M HARD BRASS	521347-2
STANDARD	6/6 NYLON / NATURAL	PLAIN - 4M HARD BRASS	521347-1
PACKAGING	HOUSING MATERIAL / COLOR	TERMINAL FINISH - MATERIAL	PART NO
THIS DRAWING IS A CONTROLLED DOCUMENT.		DWN 22AUG00 JR RUTH	Tyco Electronics Corporation Harrisburg, PA 17105
DIMENSIONS: INCHES		CHK 22AUG00 MS FEHER	
TOLERANCES UNLESS OTHERWISE SPECIFIED:		APVD 22AUG00 J HUMMEL	NAME
0 PLC ± -		PRODUCT SPEC	ASSEMBLY, RECEPTACLE, FLAG, ULTRA-POD, 6.35 [.250] SERIES
1 PLC ± -		108-1285	
2 PLC ± -		APPLICATION SPEC	SIZE
3 PLC ± 0.25 [.010]		114-2124	CAGE CODE
4 PLC ± -		WEIGHT	DRAWING NO
ANGLES ± -		-	RESTRICTED TO
MATERIAL	FINISH	CUSTOMER DRAWING	SCALE
SEE TABLE	SEE TABLE		6:1
		SHEET	1 OF 1
		REV	C2