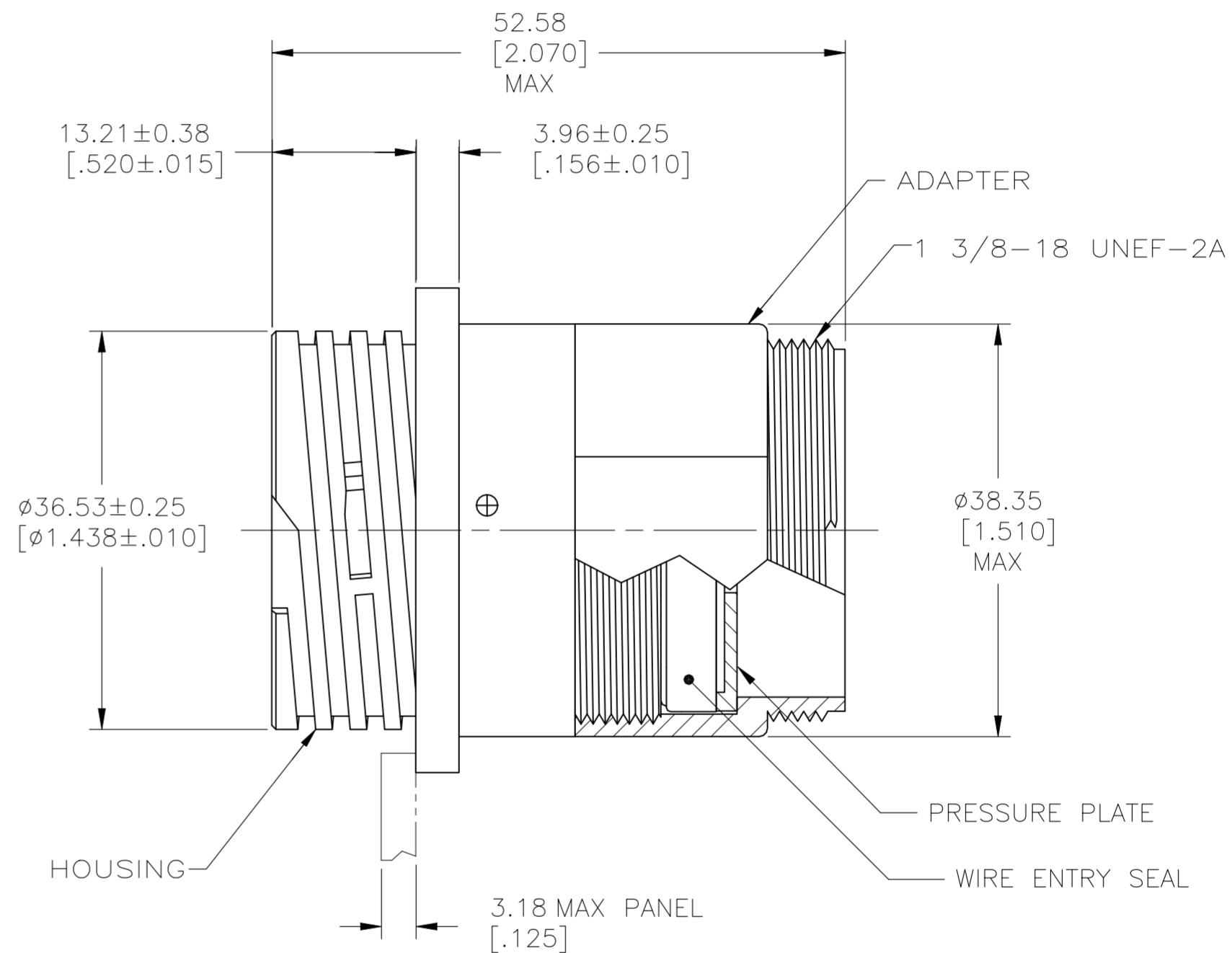
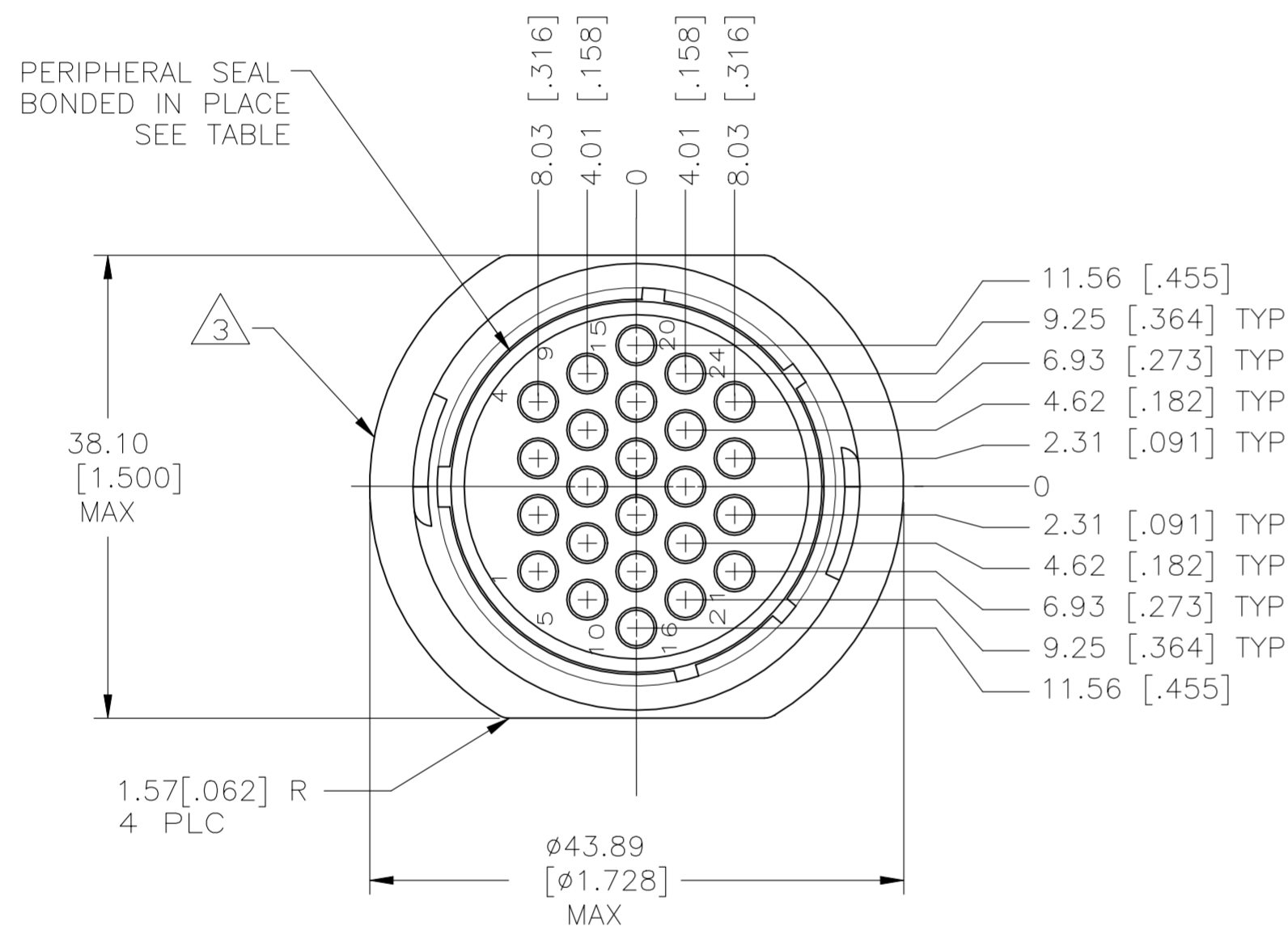


REVISIONS					
P	LTR	DESCRIPTION	DATE	DWN	APVD
D		REVISED PER ECN-22-183611	10NOV2022	RK	MZ

- ① HOUSING, ADAPTER AND PRESSURE PLATE: NYLON, BLACK.  
WIRE ENTRY SEAL: ELASTOMER, RED-IRON OXIDE.  
PERIPHERAL SEAL: ELASTOMER, BLACK.
- 2 CONNECTOR WILL ACCEPT (24) MULTIMATE PIN CONTACTS.
- ③ TE LOGO AND PART NUMBER LOCATED ON ANY FLANGE EDGE



1.65-2.54 [.065-.100]	796291-1
WIRE INSULATION DIAMETER RANGE	PART NUMBER

THIS DRAWING IS A CONTROLLED DOCUMENT.		DWN L. McEACHIN 11-JAN-2000	TE Connectivity
DIMENSIONS: mm [INCHES]		CHK K. DOWHOWER 11-JAN-2000	
TOLERANCES UNLESS OTHERWISE SPECIFIED:		APVD K. DOWHOWER 11-JAN-2000	NAME
0 PLC ± -	1 PLC ± -	PRODUCT SPEC 108-1579	ASSEMBLY, RECEPTACLE, 23-24 FREE HANGING, STANDARD SEX, SEALED CPC
2 PLC ± 0.13 [.005]	3 PLC ± -	APPLICATION SPEC	SIZE CAGE CODE DRAWING NO
4 PLC ± -	ANGLES ± -	WEIGHT -	A2 00779 C=796291
MATERIAL	FINISH	CUSTOMER DRAWING	RESTRICTED TO
①	-	SCALE 2:1 SHEET 1 OF 1 REV D	-