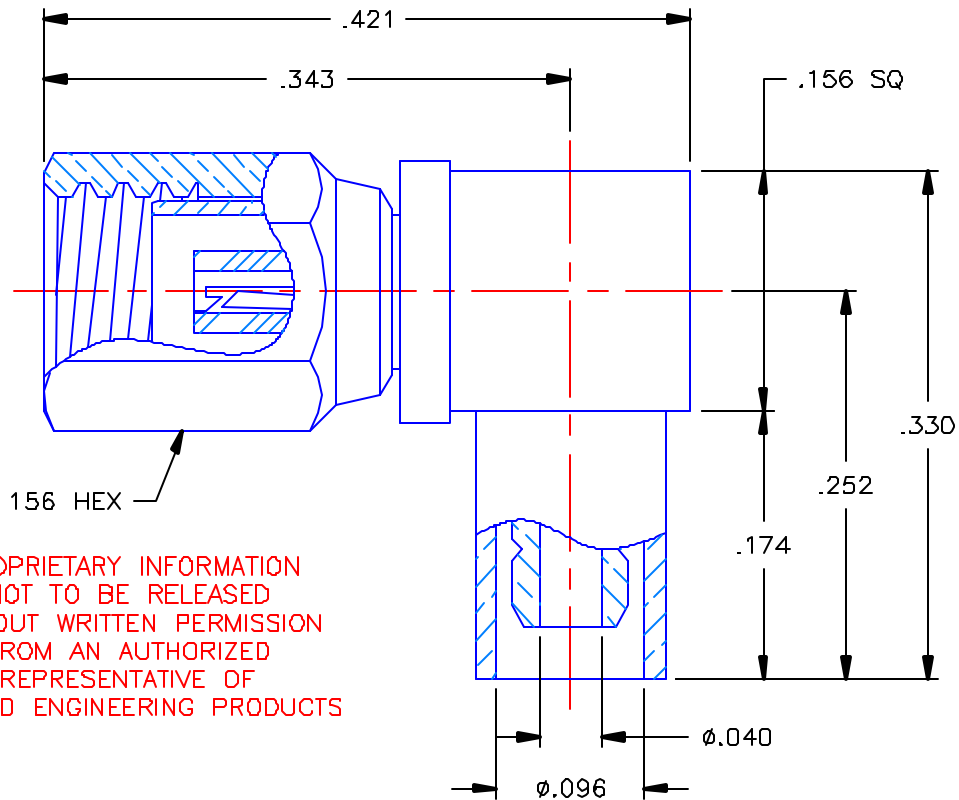


REVISIONS			
REV	DESCRIPTION	DATE	APPROVED
A	ECO #5520	09/16/04	A.D.M.



PROPRIETARY INFORMATION
NOT TO BE RELEASED
WITHOUT WRITTEN PERMISSION
FROM AN AUTHORIZED
REPRESENTATIVE OF
APPLIED ENGINEERING PRODUCTS


NOTES:

MATERIALS:

1. RIGHT ANGLE BODY & CAP = BRASS PER ASTM B16, ALLOY C36000, TEMPER H02.
2. INSULATORS = VIRGIN WHITE TEFLON PER ASTM D1710, GRADE 1, TYPE I, CLASS "B".
3. CRIMP SLEEVE = SEAMLESS LOWLEAD BRASS TUBE, ALLOY 330, SOFT ANNEAL TEMPER, .025/.060 GRAIN SIZE OR SEAMLESS COPPER TUBE PER ASTM B75, TYPE C12000, TEMPER: LIGHT ANNEAL O50 EXCEPT YIELD STRENGTH.
4. SHRINK SLEEVE = RNF100 (NOT SHOWN)
5. ALL OTHER METAL PARTS = BERYLLIUM COPPER PER ASTM B196, ALLOY C17300, TEMPER TD04.

FINISHES:

1. CONTACT = GOLD PLATE PER MIL-G-45204, TYPE II, CLASS 1, GRADE C, OVER .00010 TO .00020 STRESS FREE SULFAMATE NICKEL PER QQ-N-290.
2. ALL OTHER METAL PARTS = GOLD PLATE PER MIL-G-45204, TYPE II, CLASS 0, GRADE C, OVER .00010 TO .00020 COPPER STRIKE PER MIL-C-14550.

UNLESS OTHERWISE SPECIFIED DIMENSIONS ARE IN INCHES TOLERANCES ON	DWN. A D.M.	DATE 09/14/04	 APPLIED ENGINEERING PRODUCTS 104 John W. Murphy Dr. New Haven, CT 06513
	CHKD:	DATE 09/16/04	
DECIMAL	ANGLE	D.N.	SSMC RIGHT ANGLE FEMALE PLUG CRIMP TYPE FOR RG-178 CABLE
		APVD: D.J.C.	
REFERENCE:	MATERIALS & FINISHES: SEE NOTES		SIZE A
ORIGINATOR: D.N. DATE: 10/19/89			FSCM NO. 19505
		DWG NO. 7105-1521-002	
		REV A	
		SCALE 8:1	SHEET 1 OF 1

7105-1521-002