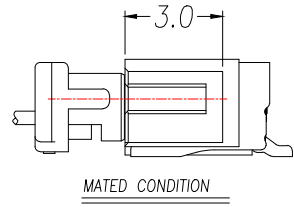
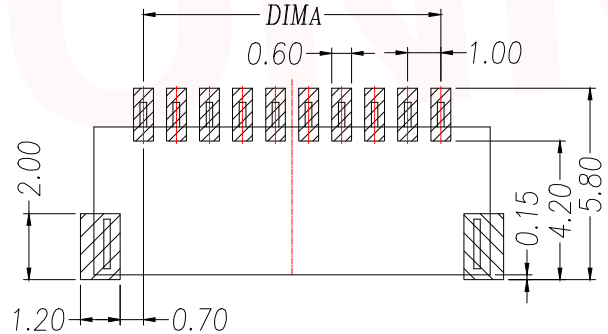
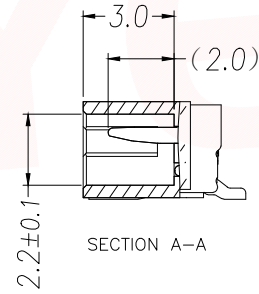
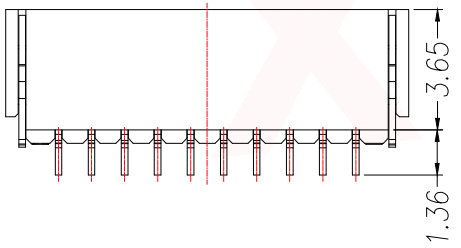
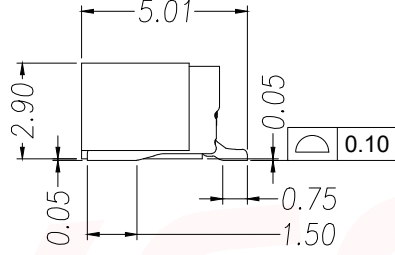
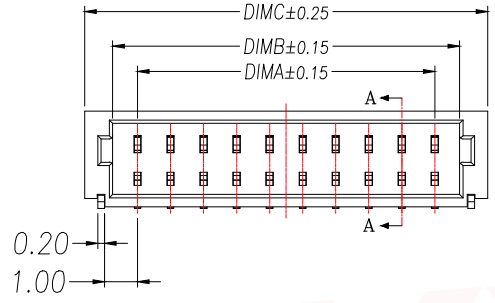
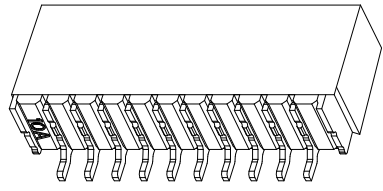
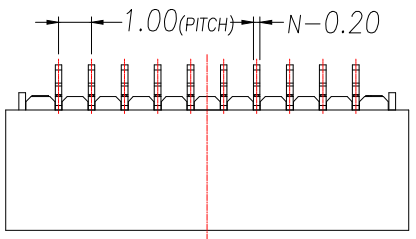


| | | | | |
|------|------|----------|------|------|
| REV. | Q'TY | ECN. NO. | APR. | DATE |
| | | | | |

PRELIMINARY
DESIGN IS SUBJECT
TO CHANGE WITHOUT
PRIOR NOTICE

NOTES:

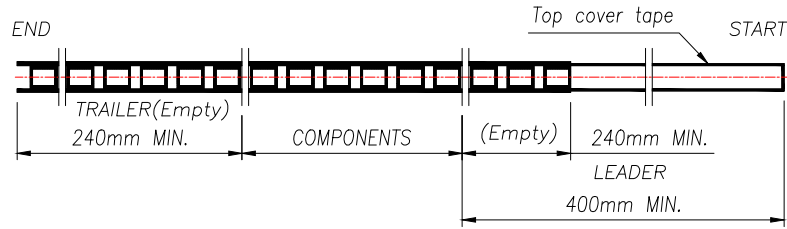
1. Working temp: -25°C~85°C.
2. Voltage rating: 50V AC/DC(rms)
3. Contact resistance: 40mΩ max.
4. Insulation resistance: 100MΩ min.
5. Current rating: 1A AV/DC
6. Withstanding Voltage: 500V AC/minute
7. Pin Retention Force: 3N min.
8. Housing material: LCP UL94-V0, Natural
9. Terminal materl: Brass,
plating Ni 40u" min , plating Tin 100u"min.
10. Solder tab material: Brass,
plating Ni 40u" min , plating Tin 100u"min.



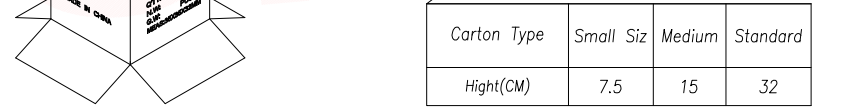
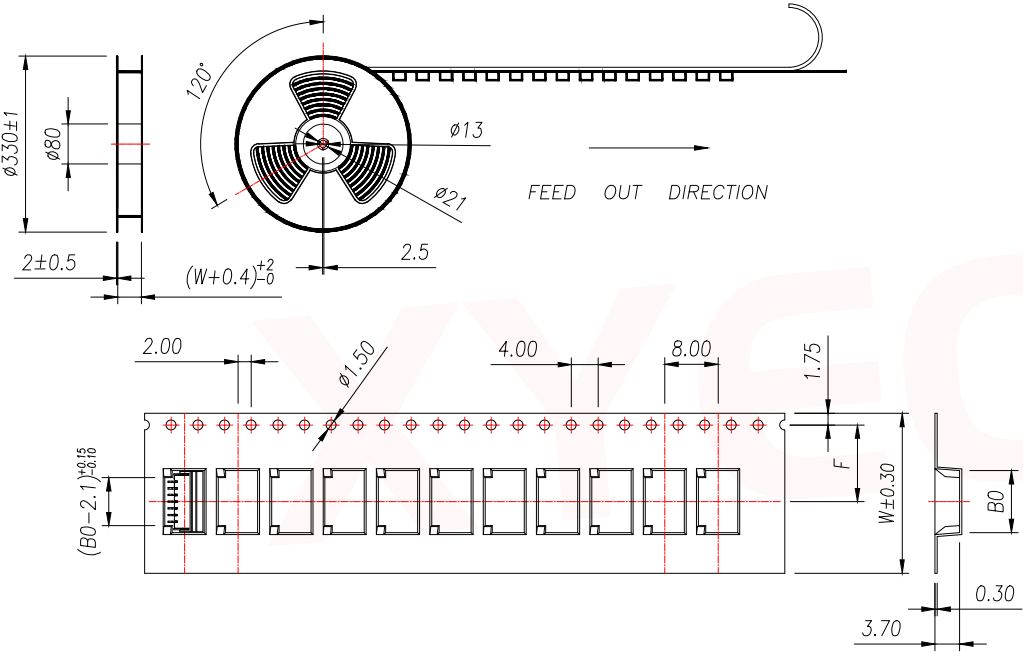
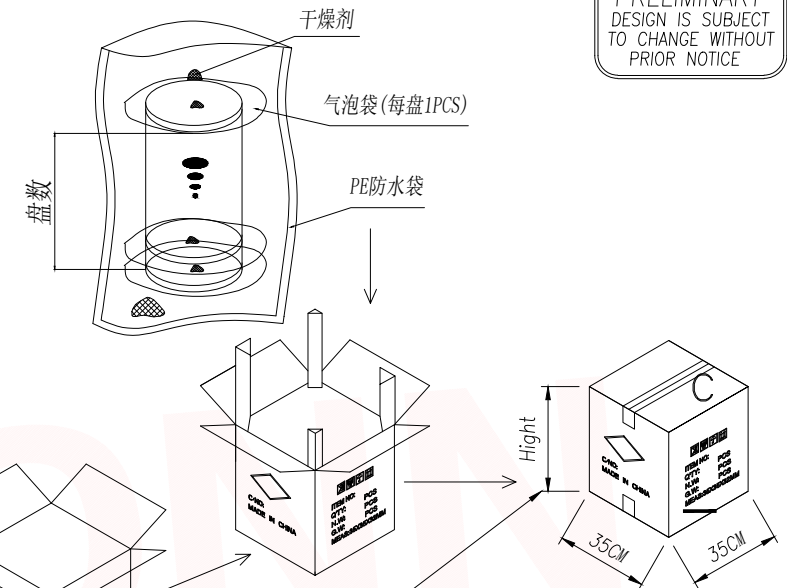
| PIN | NO. | Dim A | Dim B | Dim C |
|-----|----------------|-------|-------|-------|
| 2 | XY-SH1.0-2A61 | 1.00 | 2.50 | 4.20 |
| 3 | XY-SH1.0-3A61 | 2.00 | 3.50 | 5.20 |
| 4 | XY-SH1.0-4A61 | 3.00 | 4.50 | 6.20 |
| 5 | XY-SH1.0-5A61 | 4.00 | 5.50 | 7.20 |
| 6 | XY-SH1.0-6A61 | 5.00 | 6.50 | 8.20 |
| 7 | XY-SH1.0-7A61 | 6.00 | 7.50 | 9.20 |
| 8 | XY-SH1.0-8A61 | 7.00 | 8.50 | 10.20 |
| 9 | XY-SH1.0-9A61 | 8.00 | 9.50 | 11.20 |
| 10 | XY-SH1.0-10A61 | 9.00 | 10.50 | 12.20 |
| 11 | XY-SH1.0-11A61 | 10.00 | 11.50 | 13.20 |
| 12 | XY-SH1.0-12A61 | 11.00 | 12.50 | 14.20 |
| 13 | XY-SH1.0-13A61 | 12.00 | 13.50 | 15.20 |
| 14 | XY-SH1.0-14A61 | 13.00 | 14.50 | 16.20 |
| 15 | XY-SH1.0-15A61 | 14.00 | 15.50 | 17.20 |
| 16 | XY-SH1.0-16A61 | 15.00 | 16.50 | 18.20 |

| DIMENSION IN mm | | TOLERANCE UNLESS OTHERWISE SPECIFIED | | 厦门市辛译精密电子有限公司 Xiamen XinYi Xyecomm Electronics Co.,Ltd | | | |
|-----------------|----------|--------------------------------------|-----------|-----------------------------------------------------------|------------------|---|--|
| .X±0.35 | X.*± 5° | APR. | Alex | TITLE: WAFER 1.00mm H2.9mm 90°SMT | | | |
| .XX±0.25 | .X*± 3° | CHK. | Jack | DWG NO. XY-SH1.0-NA61 | | | |
| .XXX±0.15 | .XX*± 1° | DRA. | Can | PROJ. | CUSTOMER DRAWING | | |
| | | SIZE A4 | SCALE 1:1 | SHEET 1/3 | REV. | A | |

| | | | | |
|------|------|----------|------|------|
| REV. | Q'TY | ECN. NO. | APR. | DATE |
| | | | | |



PRELIMINARY DESIGN IS SUBJECT TO CHANGE WITHOUT PRIOR NOTICE



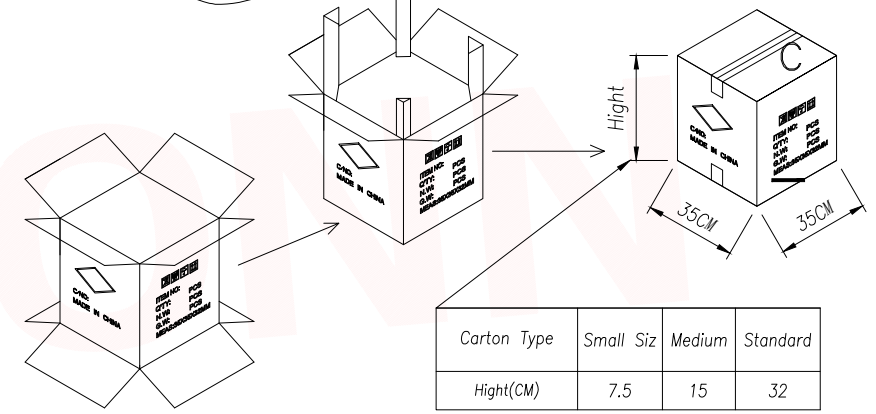
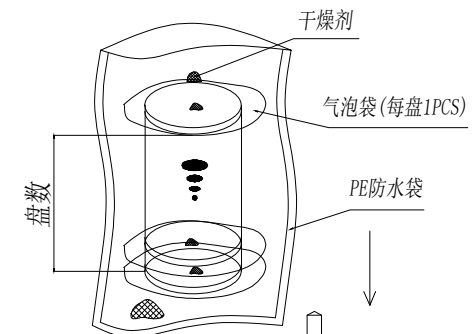
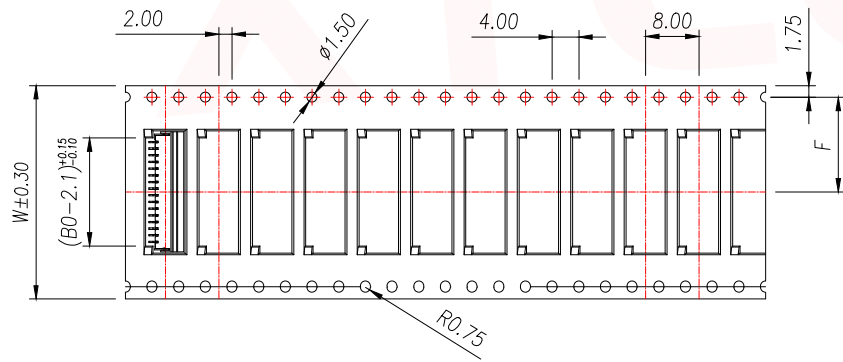
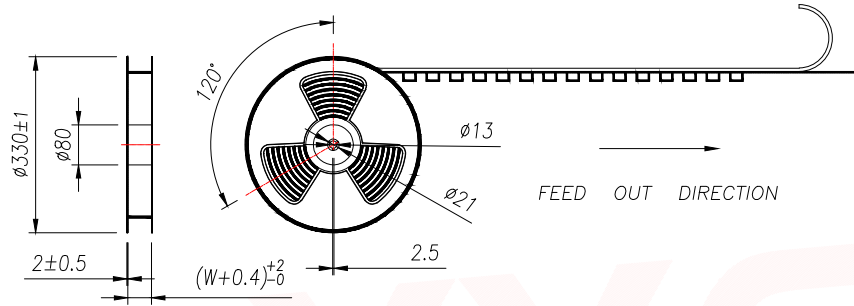
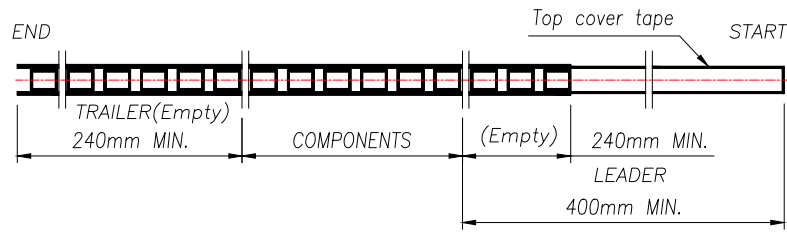
| Carton Type | Small Siz | Medium | Standard |
|-------------|-----------|--------|----------|
| Height(CM) | 7.5 | 15 | 32 |

- NOTE:
- 1.10 SPROCKET HOLE PITCH CUMULATIVE TOLERANCE ±0.2mm.
 - 2.CARRIER CAMBER NOT TO EXCEED 1mm IN 100mm.
 - 3.ALL DIMENSIONS MEET EIA-481 REQUIREMENTS.
 - 4.MATERIAL: CLEAR ANTISTATIC PS, COLD SEALING.
 - 5.COMPONENT LOAD PER REEL: 2000 PCS.

| PIN | NO. | B0 | Dim W | Dim F | PCS/RELL | RELL/CARTON | PCS/CARTON |
|-----|----------------|-------|-------|-------|----------|-------------|------------|
| 2 | XY-SH1.0-2A61 | 4.30 | 16 | 7.50 | 2000 | 14 | 28000 |
| 3 | XY-SH1.0-3A61 | 5.30 | | | | | |
| 4 | XY-SH1.0-4A61 | 6.30 | | | | | |
| 5 | XY-SH1.0-5A61 | 7.30 | | | | | |
| 6 | XY-SH1.0-6A61 | 8.30 | 24 | 11.50 | 2000 | 10 | 20000 |
| 7 | XY-SH1.0-7A61 | 9.30 | | | | | |
| 8 | XY-SH1.0-8A61 | 10.30 | | | | | |
| 09 | XY-SH1.0-9A61 | 11.30 | | | | | |
| 10 | XY-SH1.0-10A61 | 12.30 | | | | | |
| 11 | XY-SH1.0-11A61 | 13.30 | | | | | |
| 12 | XY-SH1.0-12A61 | 14.30 | | | | | |
| 13 | XY-SH1.0-13A61 | 15.30 | | | | | |

| | | | | | |
|--------------------------------------|----------|----------------------------------------------------------|------|-----------------------------------|-----|
| DIMENSION IN mm | | 厦门市辛译精密电子有限公司 Xiamen XinYi Xyconn Electronics Co.,Ltd | | | |
| TOLERANCE UNLESS OTHERWISE SPECIFIED | | APR. | Alex | TITLE: WAFER 1.00mm H2.9mm 90°SMT | |
| .X±0.35 | X.*± 5* | CHK. | Jack | DWG NO. XY-SH1.0-NA61 | |
| .XX±0.25 | .X*± 3* | DRA. | Can | PROJ. CUSTOMER DRAWING | |
| .XXX±0.15 | .XX*± 1* | SIZE | A4 | SCALE | 1:1 |
| | | SHEET | 2/3 | REV. | A |

| | | | | |
|------|------|----------|------|------|
| REV. | Q'TY | ECN. NO. | APR. | DATE |
| | | | | |



PRELIMINARY
DESIGN IS SUBJECT
TO CHANGE WITHOUT
PRIOR NOTICE

- NOTE:
- 1.10 SPROCKET HOLE PITCH CUMULATIVE TOLERANCE $\pm 0.2\text{mm}$.
 - 2.CARRIER CAMBER NOT TO EXCEED 1mm IN 100mm.
 - 3.ALL DIMENSIONS MEET EIA-481 REQUIREMENTS.
 - 4.MATERIAL: CLEAR ANTISTATIC PS, COLD SEALING.
 - 5.COMPONENT LOAD PER REEL: 2000 PCS.

| PIN | NO. | B0 | Dim W | Dim F | PCS/RELL | RELL/CARTON | PCS/CARTON |
|-----|----------------|-------|-------|-------|----------|-------------|------------|
| 14 | XY-SH1.0-14A61 | 16.30 | 32 | 14.2 | 2000 | 8 | 16000 |
| 15 | XY-SH1.0-15A61 | 17.30 | | | | | |
| 16 | XY-SH1.0-16A61 | 18.30 | | | | | |

| DIMENSION IN mm | | TOLERANCE UNLESS OTHERWISE SPECIFIED | | 厦门市辛译精密电子有限公司 Xiamen XinYi Xyconn Electronics Co.,Ltd | | | |
|-----------------|---------------|--------------------------------------|-----------|----------------------------------------------------------|--------|------------------|--|
| .X \pm 0.35 | X.* \pm 5° | APR. | Alex | TITLE: WAFER 1.00mm H2.9mm 90°SMT | | | |
| .XX \pm 0.25 | .X* \pm 3° | CHK. | Jack | DWG NO. XY-SH1.0-NA61 | | | |
| .XXX \pm 0.15 | .XX* \pm 1° | DRA. | Can | PROJ. | | CUSTOMER DRAWING | |
| | | SIZE A4 | SCALE 1:1 | SHEET 3/3 | REV. A | | |