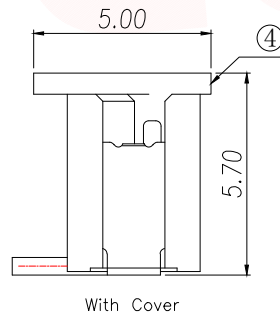
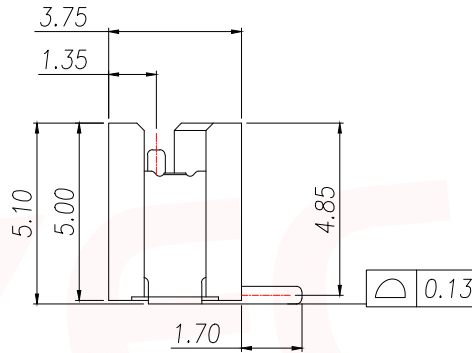
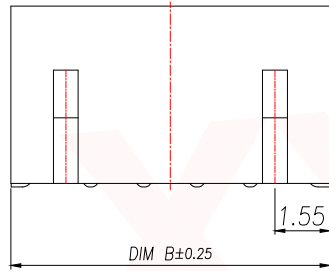
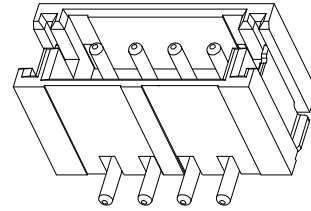
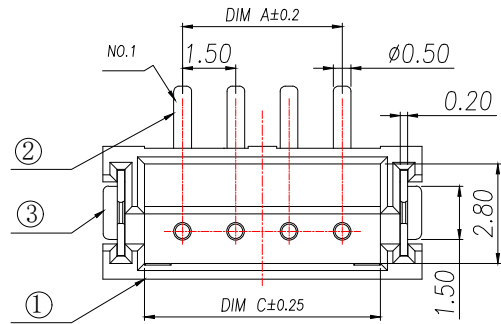


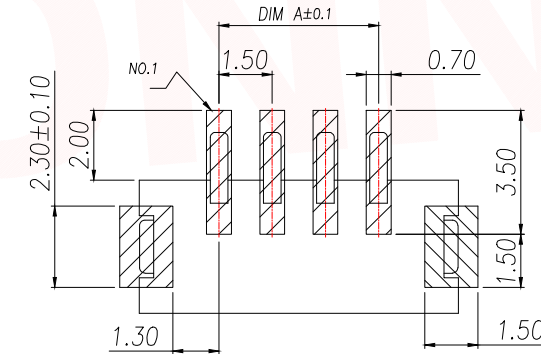
REV.	Q'TY	ECN. NO.	APR.	DATE



NOTES:

- Working temp: -25°C~85°C.
- Voltage rating: 100V AV/DC(rms)
- Contact resistance: 40mΩ max.
- Insulation resistance: 500MΩ min.
- Current rating: 1A AV/DC
- Withstanding Voltage: 500V AC/minute
- Pin Retention Force: 10N min.
- Housing material: LCP UL94-V0, Natural
- Terminal materl: Brass C2680, plating Ni 50u" min , plating Tin 100u"min.
- Solder tab material: Brass C2680, plating Ni 50u" min , plating Tin 100u"min.

PRELIMINARY
DESIGN IS SUBJECT
TO CHANGE WITHOUT
PRIOR NOTICE



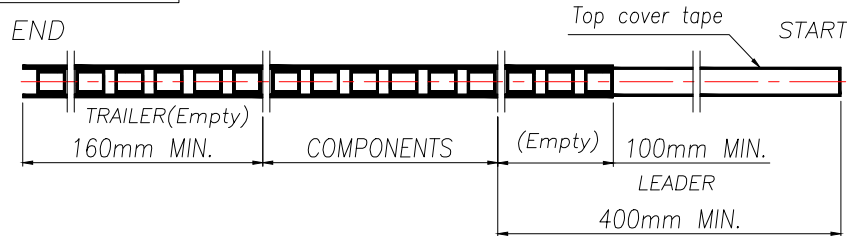
RECOMMENDED PCB LAYOUT TOP VIEW (TOLERANCE: ±0.05)

▨ SMT SOLDER AREA

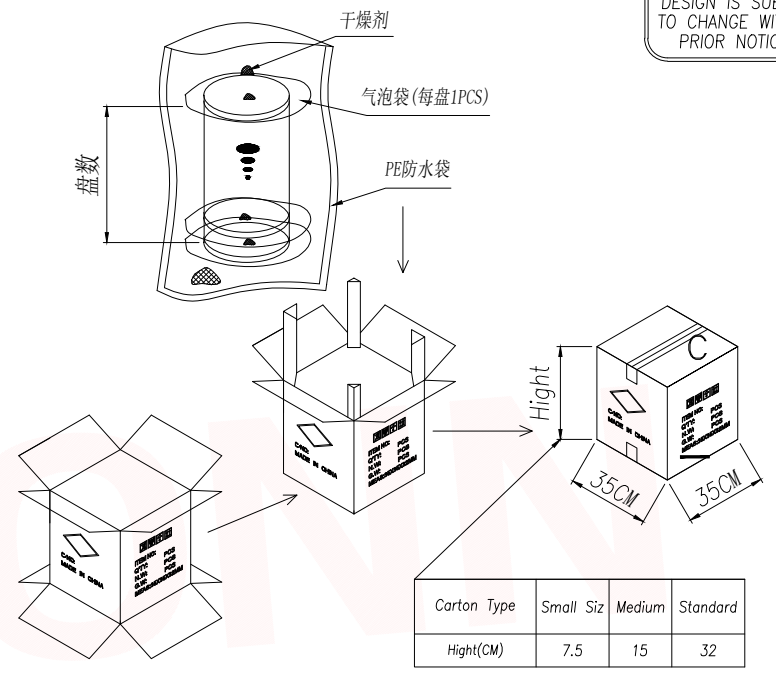
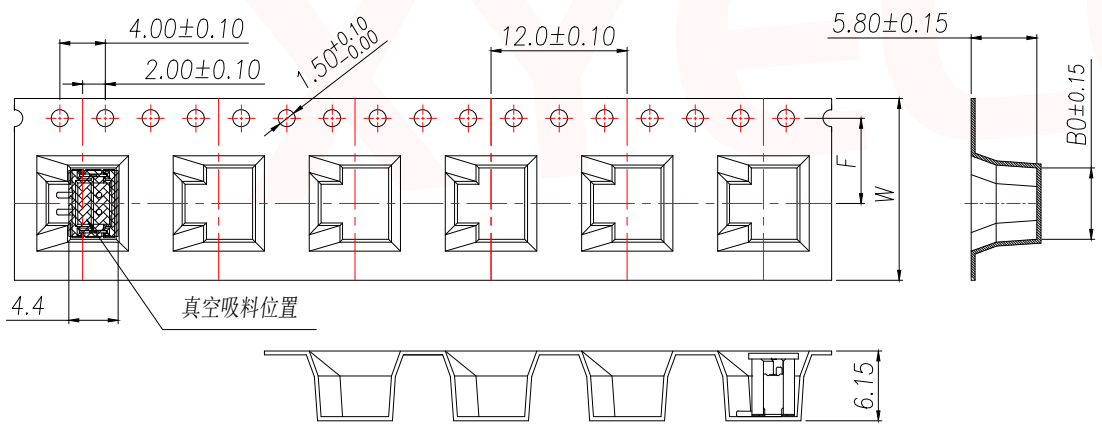
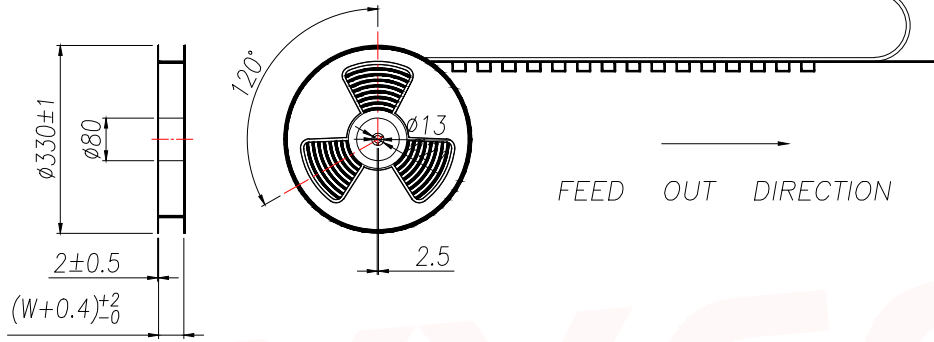
PIN	NO.	Dim A	Dim B	Dim C
2	XY-ZH1.5-2A51	1.50	6.00	3.65
3	XY-ZH1.5-3A51	3.00	7.50	5.15
4	XY-ZH1.5-4A51	4.50	9.00	6.65
5	XY-ZH1.5-5A51	6.00	10.50	8.15
6	XY-ZH1.5-6A51	7.50	12.50	9.65
7	XY-ZH1.5-7A51	9.00	13.50	11.15
8	XY-ZH1.5-8A51	10.50	15.50	12.65
9	XY-ZH1.5-9A51	12.50	16.50	14.15
10	XY-ZH1.5-10A51	13.50	18.50	15.65
11	XY-ZH1.5-11A51	15.50	19.50	17.15
12	XY-ZH1.5-12A51	16.50	21.50	18.65
13	XY-ZH1.5-13A51	18.50	22.50	20.15
14	XY-ZH1.5-14A51	19.50	24.50	21.65
15	XY-ZH1.5-15A51	21.50	25.50	23.15
16	XY-ZH1.5-16A51	22.50	27.50	24.65
17	XY-ZH1.5-17A51	24.50	28.50	26.15
18	XY-ZH1.5-18A51	25.50	30.00	27.65
19	XY-ZH1.5-19A51	27.50	31.50	29.15
20	XY-ZH1.5-20A51	28.50	33.00	30.65

DIMENSION IN mm		厦门市辛译精密电子有限公司 Xiamen XinYi Xyconn Electronics Co.,Ltd	
TOLERANCE UNLESS OTHERWISE SPECIFIED			
.X±0.35	X.*±5°	APR. Alex	TITLE: WAFER 1.50mm H5.10mm(ZH) 180°SMT
.XX±0.25	.X*±3°	CHK. Jack	DWG NO. XY-ZH1.5-NA51
.XXX±0.15	.XX*±1°	DRA. Can	PROJ. CUSTOMER DRAWING
		SIZE A4	SCALE 1:1
		SHEET 1/3	REV. A

REV.	Q'TY	ECN. NO.	APR.	DATE



PRELIMINARY DESIGN IS SUBJECT TO CHANGE WITHOUT PRIOR NOTICE



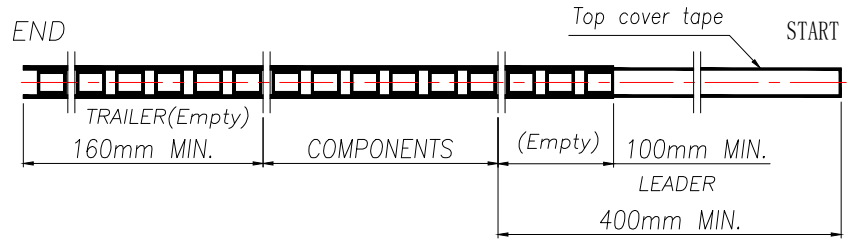
Carton Type	Small Siz	Medium	Standard
Hight(CM)	7.5	15	32

- NOTE:
- 1.10 SPROCKET HOLE PITCH CUMULATIVE TOLERANCE ±0.2mm.
 - 2.CARRIER CAMBER NOT TO EXCEED 1mm IN 100mm.
 - 3.ALL DIMENSIONS MEET EIA-481 REQUIREMENTS.
 - 4.MATERIAL: CLEAR ANTISTATIC PS. COLD SEALING.
 - 5.THICKNESS: 0.30±0.05mm.
 - 6.PACKING LENGTH PER REEL: 12.5 METERS.
 - 7.COMPONENT LOAD PER REEL: 1000 PCS.

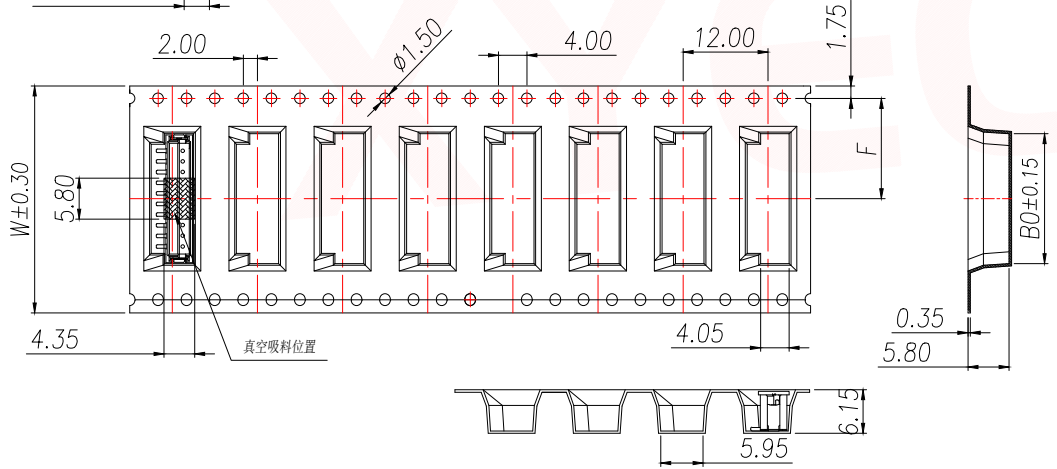
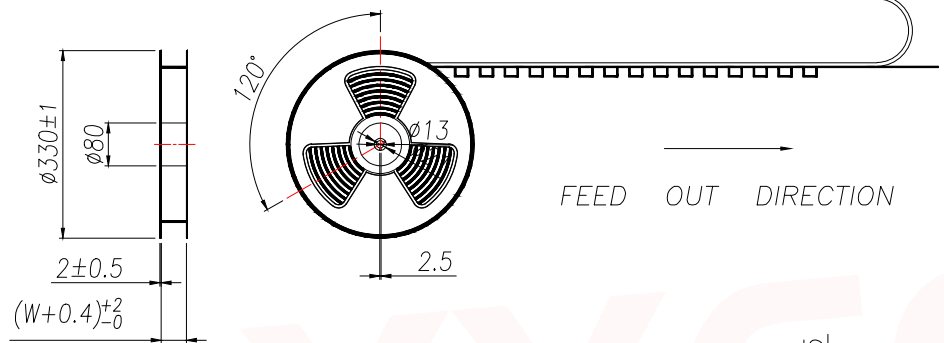
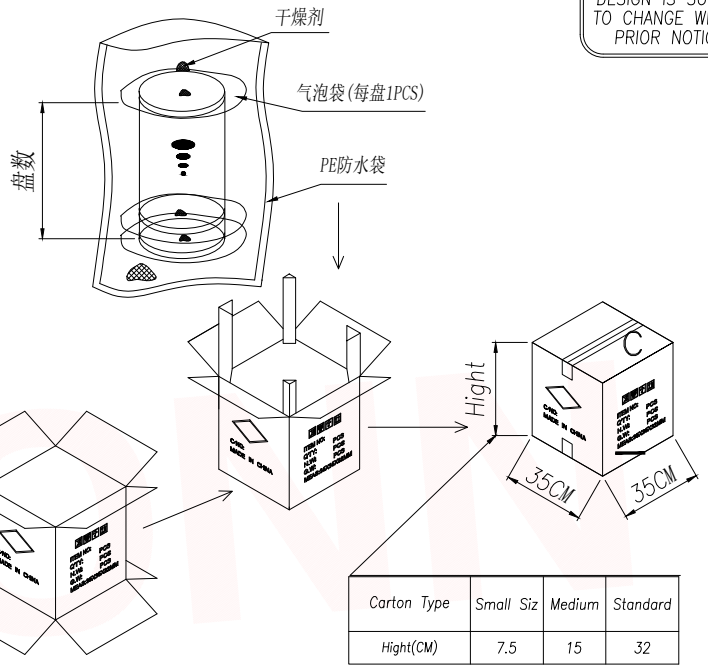
PIN	NO.	Dim B0	Dim W	Dim F	PCS/RELL	RELL/CARTON	PCS/CARTON
2	XY-ZH1.5-2A51	6.30	16	7.5	1000	14	14000
3	XY-ZH1.5-3A51	7.80	24	11.5			
4	XY-ZH1.5-4A51	9.30					
5	XY-ZH1.5-5A51	10.80	24	11.5	1000	10	10000
6	XY-ZH1.5-6A51	12.30					
7	XY-ZH1.5-7A51	13.80					
8	XY-ZH1.5-8A51	15.30					

DIMENSION IN mm		厦门市辛译精密电子有限公司 Xiamen XinYi Xyconn Electronics Co.,Ltd			
TOLERANCE UNLESS OTHERWISE SPECIFIED		APR.	Alex	TITLE: WAFER 1.50mm H5.10mm(ZH) 180°SMT	
.X±0.35	X.*± 5'	CHK.	Jack	DWG NO. XY-ZH1.5-NA51	
.XX±0.25	.X.*± 3'	DRA. Can		PROJ. CUSTOMER DRAWING	
.XXX±0.15	.XX.*± 1'	SIZE A4	SCALE 1:1	SHEET 2/3	REV. A

REV.	Q'TY	ECN. NO.	APR.	DATE



PRELIMINARY DESIGN IS SUBJECT TO CHANGE WITHOUT PRIOR NOTICE



- NOTE:
- 1.10 SPROCKET HOLE PITCH CUMULATIVE TOLERANCE $\pm 0.2\text{mm}$.
 2. CARRIER CAMBER NOT TO EXCEED 1mm IN 100mm.
 3. ALL DIMENSIONS MEET EIA-481 REQUIREMENTS.
 4. MATERIAL: CLEAR ANTISTATIC PS, COLD SEALING.
 5. THICKNESS: $0.30 \pm 0.05\text{mm}$.
 6. PACKING LENGTH PER REEL: 12.5 METERS.
 7. COMPONENT LOAD PER REEL: 1000 PCS.

PIN	NO.	Dim BO	Dim W	Dim F	PCS/RELL	RELL/CARTON	PCS/CARTON
9	XY-ZH1.5-9A51	16.80	32	14.2	1000	8	8000
10	XY-ZH1.5-10A51	18.30					
11	XY-ZH1.5-11A51	19.80					
12	XY-ZH1.5-12A51	21.30					
13	XY-ZH1.5-13A51	22.80	44	20.2	6	6000	
14	XY-ZH1.5-14A51	24.30					
15	XY-ZH1.5-15A51	25.80					
16	XY-ZH1.5-16A51	27.30					

DIMENSION IN mm		厦门市辛译精密电子有限公司 Xiamen XinYi Xyconn Electronics Co.,Ltd		
TOLERANCE UNLESS OTHERWISE SPECIFIED				
.X \pm 0.35	X.* \pm 5°	APR.	Alex	TITLE: WAFER 1.50mm H5.10mm(ZH) 180°SMT
.XX \pm 0.25	.X* \pm 3°	CHK.	Jack	DWG NO. XY-ZH1.5-NA51
.XXX \pm 0.15	.XX* \pm 1°	DRA.	Can	PROJ. CUSTOMER DRAWING
		SIZE A4	SCALE 1:1	SHEET 3/3 REV. A