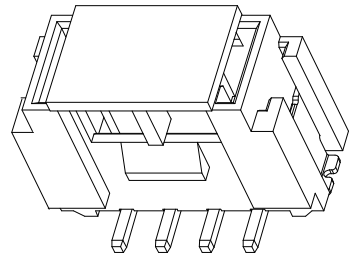
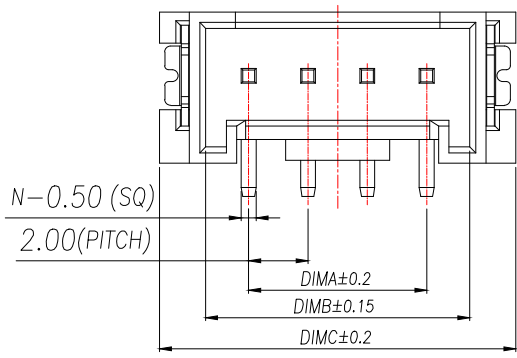
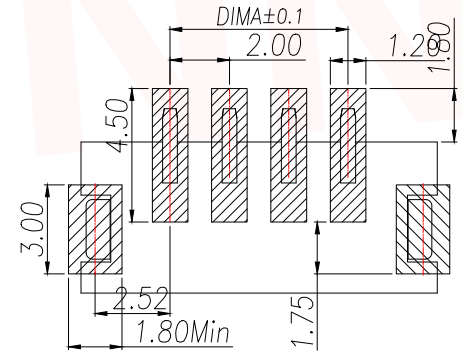
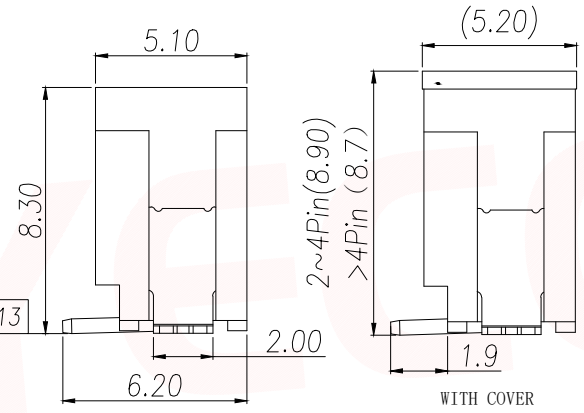
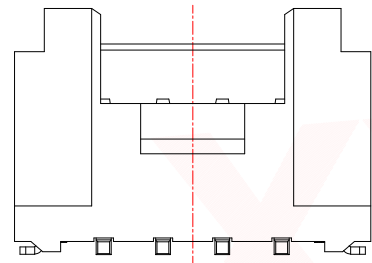


REV.	Q'TY	ECN. NO.	APR.	DATE

PRELIMINARY  
DESIGN IS SUBJECT  
TO CHANGE WITHOUT  
PRIOR NOTICE

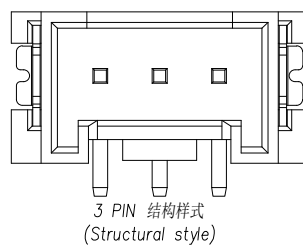
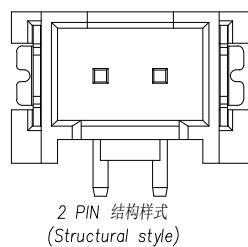


- NOTES:
1. Working temp: -25°C~85°C.
  2. Voltage rating: 100V AV/DC(rms)
  3. Contact resistance: 20mΩ max.
  4. Insulation resistance: 1000MΩ min.
  5. Current rating: 2A AV/DC
  6. Withstanding Voltage: 800V AC/minute
  7. Pin Retention Force: 15N min.
  8. Housing material: LCP UL94-V0, Natural
  9. Terminal materl: Brass,  
plating Ni 50u" min , plating Tin 100u"min.
  10. Solder tab material: Brass,  
plating Ni 50u" min , plating Tin 100u"min.



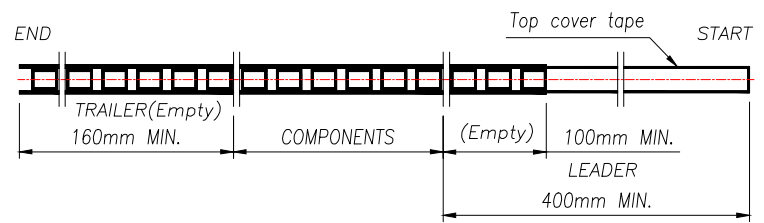
RECOMMENDED PCB LAYOUT TOP VIEW (TOLERANCE: ±0.05)  
SMT SOLDER AREA

PIN	NO.	Dim A	Dim B	Dim C
2	XY-HY2.0-2A51	2.00	4.90	8.00
3	XY-HY2.0-3A51	4.00	6.90	10.00
4	XY-HY2.0-4A51	6.00	8.90	12.00
5	XY-HY2.0-5A51	8.00	10.90	14.00
6	XY-HY2.0-6A51	10.00	12.90	16.00
7	XY-HY2.0-7A51	12.00	14.90	18.00
8	XY-HY2.0-8A51	14.00	16.90	20.00
9	XY-HY2.0-9A51	16.00	18.90	22.00
10	XY-HY2.0-10A51	18.00	20.90	24.00
11	XY-HY2.0-11A51	20.00	22.90	26.00
12	XY-HY2.0-12A51	22.00	24.90	28.00
13	XY-HY2.0-13A51	24.00	26.90	30.00
14	XY-HY2.0-14A51	26.00	28.90	32.00
15	XY-HY2.0-15A51	28.00	30.90	34.00
16	XY-HY2.0-16A51	30.00	32.90	36.00

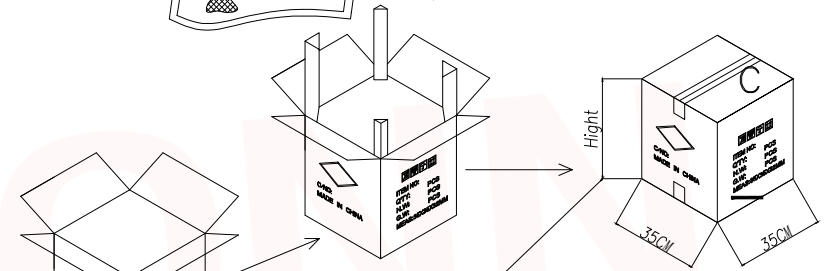
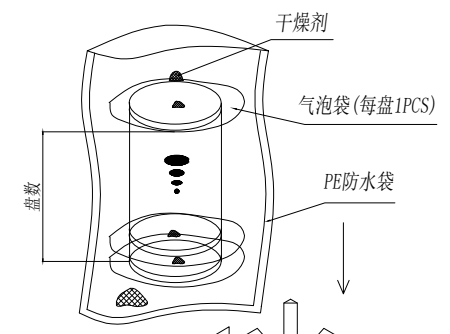
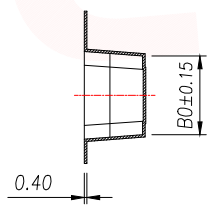
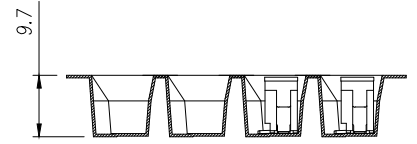
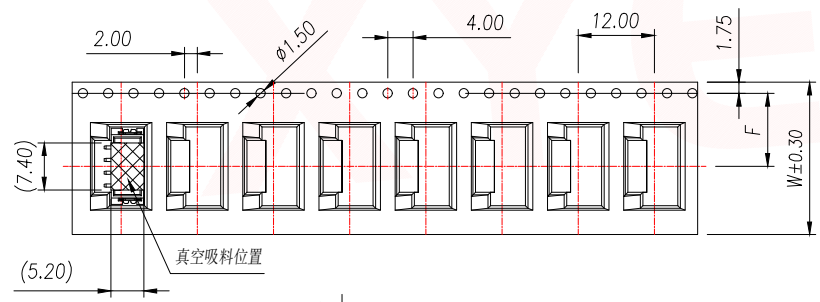
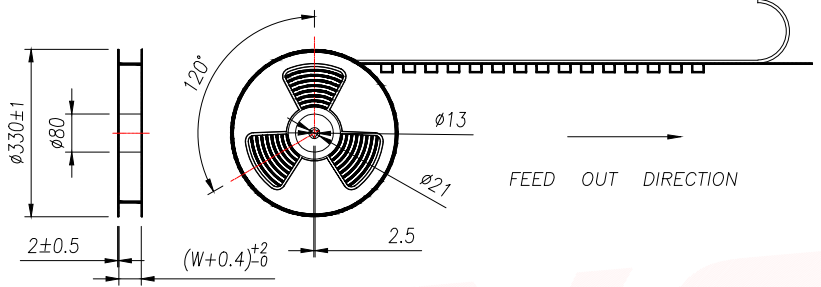


DIMENSION IN mm		TOLERANCE UNLESS OTHERWISE SPECIFIED		厦门市辛译精密电子有限公司 Xiamen XinYi Xyconn Electronics Co.,Ltd			
.X±0.35	X.*±5°	APR.	Alex	TITLE: WAFER 2.00mm H8.3mm W/ B 180°SMT			
.XX±0.25	.X*±3°	CHK.	Jack	DWG NO. XY-HY2.0-NA51			
.XXX±0.15	.XX*±1°	DRA.	Can	PROJ.		CUSTOMER DRAWING	
		SIZE A4	SCALE 1:1	SHEET 1/3	REV.	A	

REV.	Q'TY	ECN. NO.	APR.	DATE



PRELIMINARY DESIGN IS SUBJECT TO CHANGE WITHOUT PRIOR NOTICE



Carton Type	Small Siz	Medium	Standard
Hight(CM)	7.5	15	32

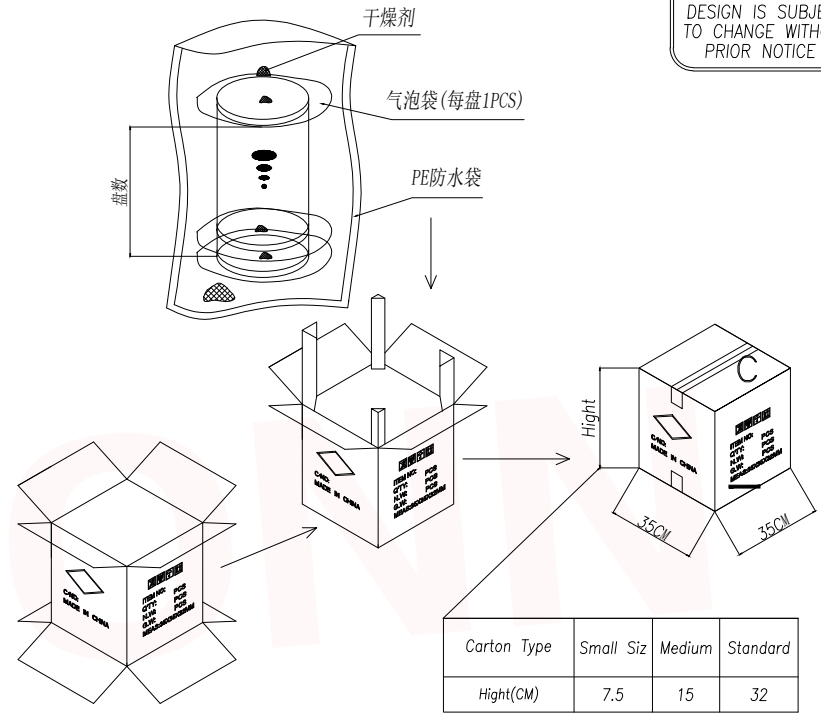
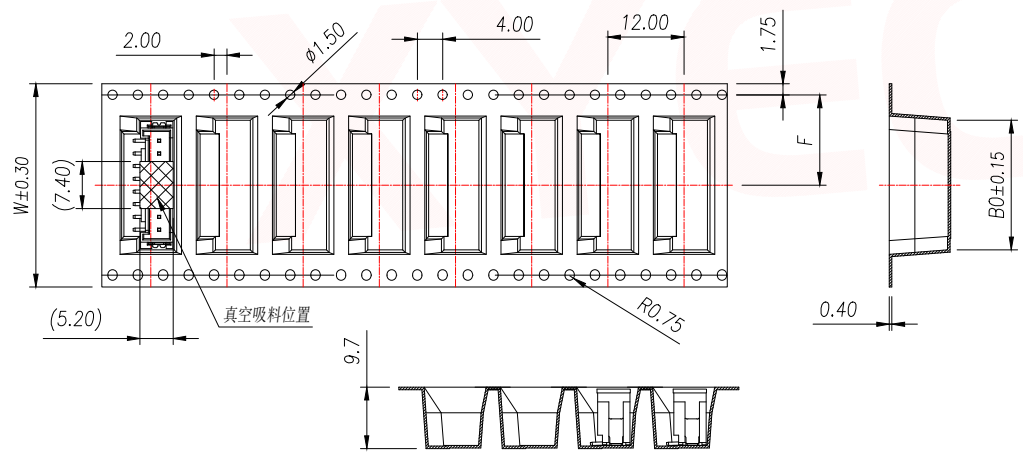
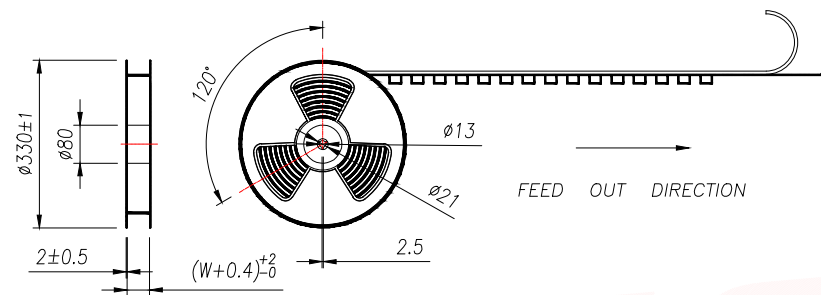
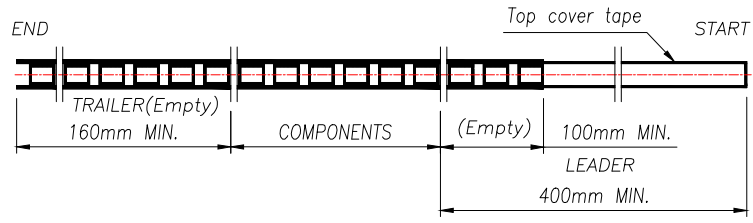
- NOTE:
- 1.10 SPROCKET HOLE PITCH CUMULATIVE TOLERANCE  $\pm 0.2$ mm.
  - 2.CARRIER CAMBER NOT TO EXCEED 1mm IN 100mm.
  - 3.ALL DIMENSIONS MEET EIA-481 REQUIREMENTS.
  - 4.MATERIAL: CLEAR ANTISTATIC PS, COLD SEALING.
  - 5.THICKNESS:  $0.40 \pm 0.05$ mm.
  - 6.PACKING LENGHT PER REEL: 7.6 METERS.
  - 7.COMPONENT LOAD PER REEL: 600 PCS.

PIN	NO.	Dim B0	Dim W	Dim F	PCS/RELL	RELL/CARTON	PCS/CARTON
2	XY-HY2.0-2A51	8.40	24	11.50	600	10	6000
3	XY-HY2.0-3A51	10.40					
4	XY-HY2.0-4A51	12.40					
5	XY-HY2.0-5A51	14.40					
6	XY-HY2.0-6A51	16.40					

DIMENSION IN mm		厦门市辛译精密电子有限公司 Xiamen XinYi Xyecomm Electronics Co.,Ltd	
TOLERANCE UNLESS OTHERWISE SPECIFIED			
.X $\pm$ 0.35	X.* $\pm$ 5*	APR. Alex	TITLE: WAFER 2.00mm H8.3mm W/ B 180°SMT
.XX $\pm$ 0.25	.X* $\pm$ 3*	CHK. Jack	DWG NO. XY-HY2.0-NA51
.XXX $\pm$ 0.15	.XX* $\pm$ 1*	DRA. Can	PROJ.  CUSTOMER DRAWING
		SIZE A4	SCALE 1:1
		SHEET 2/3	REV. A

REV.	Q'TY	ECN. NO.	APR.	DATE

PRELIMINARY  
DESIGN IS SUBJECT  
TO CHANGE WITHOUT  
PRIOR NOTICE



- NOTE:
- 1.10 SPROCKET HOLE PITCH CUMULATIVE TOLERANCE  $\pm 0.2\text{mm}$ .
  - 2.CARRIER CAMBER NOT TO EXCEED 1mm IN 100mm.
  - 3.ALL DIMENSIONS MEET EIA-481 REQUIREMENTS.
  - 4.MATERIAL: CLEAR ANTISTATIC PS, COLD SEALING.
  - 5.THICKNESS:  $0.40 \pm 0.05\text{mm}$ .
  - 6.PACKING LENGTH PER REEL: 7.6 METERS.
  - 7.COMPONENT LOAD PER REEL: 600 PCS.

PIN	NO.	Dim B0	Dim W	Dim F	PCS/RELL	RELL/CARTON	PCS/CARTON	
7	XY-HY2.0-7A51	18.40	32	14.2	600	8	4800	
8	XY-HY2.0-8A51	20.40						
9	XY-HY2.0-9A51	22.40	44	20.2		6		3600
10	XY-HY2.0-10A51	24.40						
11	XY-HY2.0-11A51	26.40						
12	XY-HY2.0-12A51	28.40						
13	XY-HY2.0-13A51	30.40	56	26.2	5	3000		
14	XY-HY2.0-14A51	32.40						
15	XY-HY2.0-15A51	34.40	56	26.2	5	3000		
16	XY-HY2.0-16A51	36.40						

DIMENSION IN mm		厦门市辛译精密电子有限公司 Xiamen XinYi Xyconn Electronics Co.,Ltd			
TOLERANCE UNLESS OTHERWISE SPECIFIED					
.X $\pm$ 0.35	X.* $\pm$ 5°	APR.	Alex	TITLE: WAFER 2.00mm H8.3mm W/ B 180°SMT	
.XX $\pm$ 0.25	.X* $\pm$ 3°	CHK.	Jack	DWG NO. XY-HY2.0-NA51	
.XXX $\pm$ 0.15	.XX* $\pm$ 1°	DRA.	Can	PROJ.  CUSTOMER DRAWING	
		SIZE A4	SCALE 1:1	SHEET 3/3	REV. A