



REV.NO.:0

承 认 书
SPECIFICATION FOR APPROVAL

ROHS

| | |
|------------------------|------------------|
| 品 名 Part Name | LINE FILTER |
| 风华规格 FH. PartNumber | UU10. 5-5mH |
| 客 户 料 号 Part NO. | |
| 规格书编号 DocumentNO. | UU10. 5-YH160179 |

请客户承认后回签本公司
 Please return one copy after approved

变更记录表

Alter Record

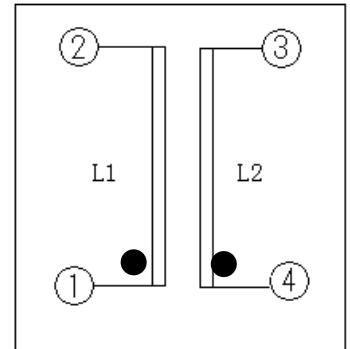
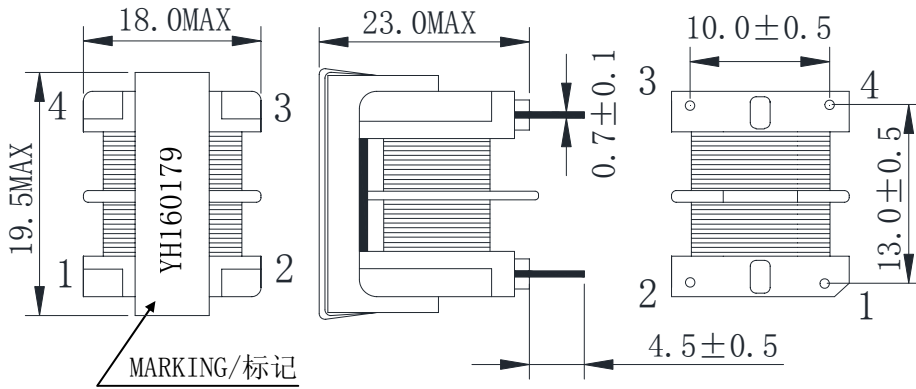
| 版本 REV. | 修改内容 Change Description | 日期 Date | 修改人 Drafted By | 审核 Checked By | 批准 Approved By |
|------------|----------------------------|------------|-------------------|------------------|-------------------|
| 0 | 新版送样 | 2016-6-16 | | | |
| | | | | | |
| | | | | | |
| | | | | | |
| | | | | | |

广东风华高新科技股份有限公司
 FENGHUA ADVANCED TECHNOLOGY (HOLDING) CO., LTD.
 地址: 广东省肇庆市风华路风华工业园 6 号楼 3
 楼电感分公司.
 Tel:0758-6923466
 Fax:0758-2223674-8014
 E-mail:dg@fenghua-yuehua.com

| 拟制 Designer | 审核 Checker | 批准 Approver |
|----------------|---------------|----------------|
| 谭新霖 | 李有敏 | 李有敏 |

1. APPEARANCE AND DIMENSION. /外观图: [Unit/单位:mm]

CONNECTION / 接线图



●表示卷始端。

NOTE 1) The terminal length dimension excluding solder pendant. / 端子长度不包含锡尖
 2. 磁芯与线包用黄色 5.0*13.5 胶带隔离

2. WINDING SPEC. /卷线规格

| | | |
|----------|-------------|------|
| WIRE /线材 | 2UEW Φ0.5mm | |
| PIN /端子 | 1--2 | 4--3 |
| URNS /圈数 | 45Ts | 45Ts |

VARNISH / 含浸品

3. ELECTRICAL CHARACTERISTICS / 电气特性

| ITEM / 项目 | PIN NO. / 测定端子 | SPEC. / 规格 | CONDITION · EQUIPMENT / 测定器 · 条件 |
|-------------------------------|----------------|-------------|--|
| INDUCTANCE 电感 | 1--2 | 5mH MIN | CH3205or EQUIVALENT (f=1kHz, 1V) 25°C |
| | 4--3 | | |
| L DIFFERENCE 电感偏差 | L1-L2 | 0.5mH MAX | |
| DC RESISTANCE 直流电阻 | 1--2 | 180mΩ MAX | CH-9053A or EQUIVALENT at DC500V |
| | 4--3 | | |
| INSULATION RESISTANCE 绝缘电阻 | COIL--COIL | 100MΩ MIN | |
| WITHSTAND VOLTAGE 耐电压 | COIL--COIL | AC1.0Kv 60S | CH-9053A or EQUIVALENT (CC=1mA) |



广东风华高新科技股份有限公司
 FENGHUA ADVANCED TECHNOLOGY (HOLDING) CO., LTD.

MODEL NO. : UU10.5-5mH MIN

PART NO. :

PART NAME : LINE FILTER

DESIGNED:

CHECKED:

APPROVED:

4. MATERIAL LIST / 材料明细表

| NO. | COMPONENT 名称 | MATERIAL 材质 | MATERIAL SPEC. 材料规格 |
|-----|----------------------|---------------------------------|---------------------------|
| 1 | BOBBIN 骨架 | PHENOL 电木 T375J | SY-1001 |
| | | | or EQUIVALENT |
| 2 | CORE 磁芯 | FERRITE 铁氧体 | SNH15UU10.5A(M) AL ≥ 3500 |
| | | | or EQUIVALENT |
| 3 | WIRE 线材 | POLYURETHANE COPPER 聚氨酯甲酸酯铜线 | 2UEW φ0.5mm |
| | | | or EQUIVALENT |
| 4 | CLIP 夹子 | STEEL 钢 | UU10.5 |
| 5 | VARNISH 含浸液 | EPOXY | T4260 |
| | | | or EQUIVALENT |
| 6 | BARRIER TAPE 隔离胶带 | POLYESTER 聚酯 | PZ281 W=5.0 mm |
| | | | or EQUIVALENT |



广东风华高新科技股份有限公司
FENGHUA ADVANCED TECHNOLOGY (HOLDING) CO., LTD.

MODEL NO. : UU10.5-5mH MIN

PART NO. :

PART NAME : LINE FILTER

DESIGNED:

CHECKED:

APPROVED:



INSPECTION DATA SHEET

| | | | | | | |
|---------------------------------------|--------------------------|------------------------------|---------------------------|----------------------------|---------------------------|----------------------------|
| CUSTOMER: | CUST. PART NO. : | TEMPERATURE: 25 °C | DATE: 2016-6-16 | Approver 李有敏 | Checker 李有敏 | Designer 谭新霖 |
| MODEL NO. : UU10.5-YH160179 | QUANTITY: 5pcs | HUMIDITY: 66% | MARKING: | | | |

(ELECTRICAL PERFORMANCE)

| SPEC. | INDUCTANCE | | L DIFFERENCE | DC RESISTANCE | | HI-POT | INSULATION RESISTANCE |
|-------|-----------------|------|-------------------|---------------|-------|------------------|-----------------------|
| | 5mH MIN 1KHz 1V | | 0.5mH MAX 1KHz 1V | 180mΩ MAX | | AC1.0kV 60S. 1mA | DC500V 100MΩ MIN |
| | 1-2 | 3-4 | L1-L2 | 1-2 | 3-4 | COIL~COIL | COIL~COIL |
| 1 | 9.79 | 9.75 | 0.04 | 146.5 | 146.5 | OK | OK |
| 2 | 8.95 | 8.91 | 0.04 | 146.0 | 146.0 | OK | OK |
| 3 | 9.59 | 9.56 | 0.03 | 146.8 | 146.8 | OK | OK |
| 4 | 7.32 | 7.35 | 0.03 | 146.9 | 146.9 | OK | OK |
| 5 | 8.08 | 8.05 | 0.03 | 146.8 | 146.8 | OK | OK |
| 6 | | | | | | | |
| 7 | | | | | | | |
| 8 | | | | | | | |
| 9 | | | | | | | |
| 10 | | | | | | | |

MEASURING CONDITION: ZENTECH 3205 or EQUIVALENT(at 25°C)
ZENTECH 9053A or EQUIVALENT

(DIMENSION)

| 检查项 | 规格 (mm) | 1 | 2 | 3 | 4 | 5 | | | | |
|------|----------|-------|-------|-------|-------|-------|--|--|--|--|
| 幅长 | 19.5 MAX | 17.97 | 18.18 | 18.10 | 18.15 | 18.16 | | | | |
| 幅宽 | 18.0 MAX | 16.25 | 16.34 | 16.35 | 16.28 | 16.30 | | | | |
| 幅高 | 23.0MAX | 21.52 | 21.52 | 21.53 | 21.54 | 21.56 | | | | |
| 端距 A | 10.0±0.5 | 10.01 | 9.70 | 9.75 | 9.74 | 9.80 | | | | |
| 端距 B | 13.0±0.5 | 12.99 | 13.01 | 13.02 | 13.05 | 13.04 | | | | |
| 端子长度 | 4.5±0.5 | 4.51 | 4.43 | 4.45 | 4.46 | 4.52 | | | | |
| 端径 | 0.7±0.1 | 0.68 | 0.68 | 0.68 | 0.69 | 0.68 | | | | |