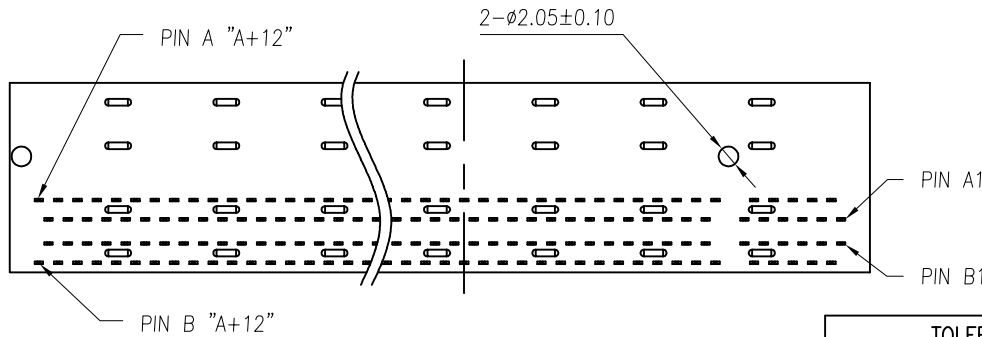
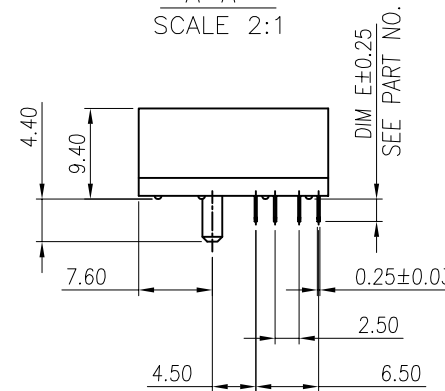
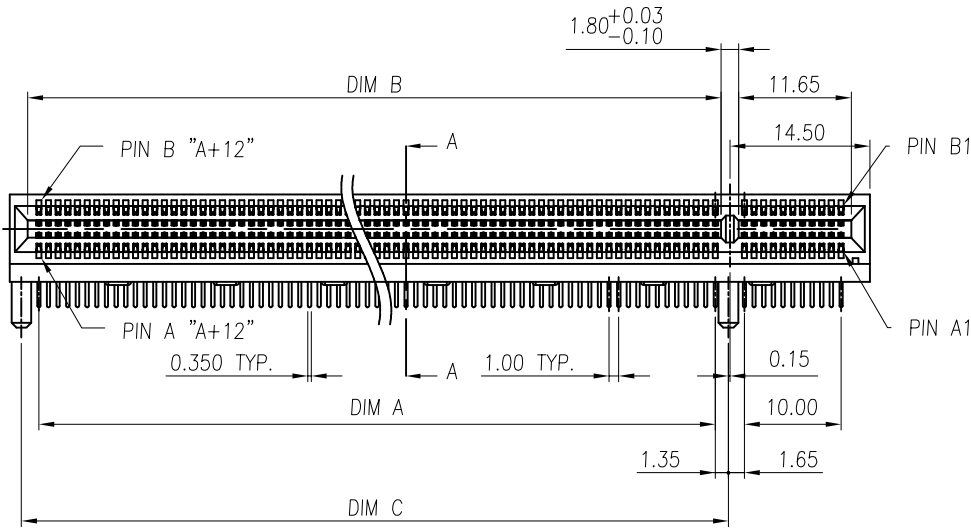


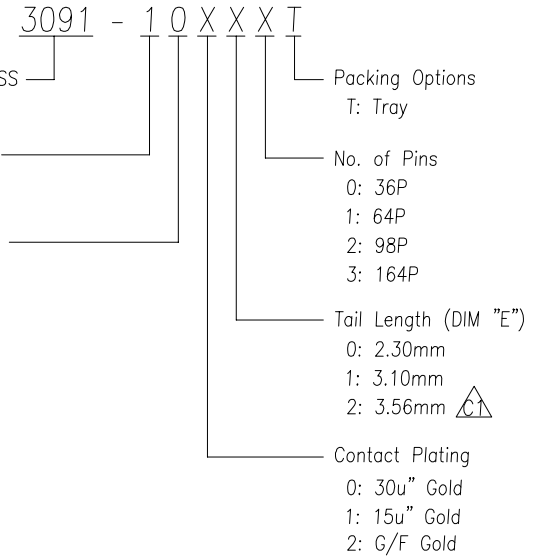
A-A
SCALE 2:1



NOTES:

1. MATERIAL:
 - 1.1 INSULATION: HIGH TEMPERATURE THERMOPLASTIC, COLOR: SEE PART No..
 - 1.2 CONTACTS: COPPER ALLOY, T=0.25mm
2. FINISH:
 - 2.1 CONTACT: SELECTIVE GOLD PLATING ON THE CONTACT AREA, 100u" MIN. MATTE TIN PLATING ON THE SOLDER TAILS, 50u" MIN. NICKEL UNDERPLATING OVERALL.
3. PRODUCT SPEC: PS-3GIO-01
4. PACKAGING SPEC: 309104001

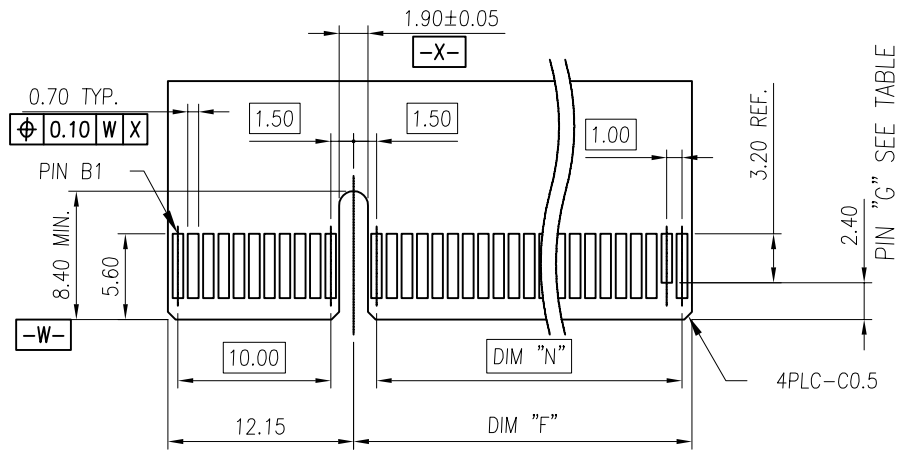
PART NO.:



DIMENSIONS				
POSITION	A ±0.20	B ±0.20	C ±0.20	D ±0.25
36	6	7.65	9.15	25.00
64	20	21.65	23.15	39.00
98	37	38.65	40.15	56.00
164	70	71.65	73.15	89.00

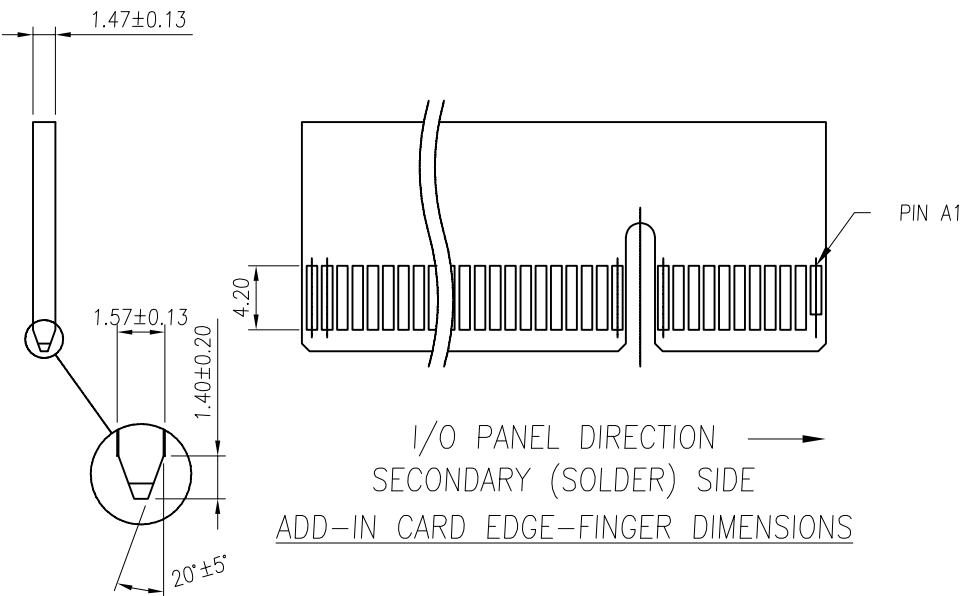
REV	ECN NO.	NAME	DATE	TOLERANCE		UMax conn 东莞市友贸实业有限公司 DONGGUAN UMAX ENTERPRISE LIMITED
				LINEAR	ANGLES	
C1	-----	Lei Songping	Jul,23,2022	X.±0.40	X'±	APPD: Jason
C	14026	Terry	Nov,13,2014	.X±0.30	.X'±	MAT'L: Schumi
B	12035	Terry	Jul,05,2012	.XX±0.20	.XX'±	FINISH: Terry
REV	ECN NO.	NAME	DATE	.XXX±0.10	.XXX'±	DRWN: Terry

TITLE: PCI EXPRESS CARD EDGE, 1.0mm PITCH, R/A TYPE				
PART NO. 3091-10XXX T				
DWG NO. 309107001				
UNITS	SCALE	SHEET	REV	C1

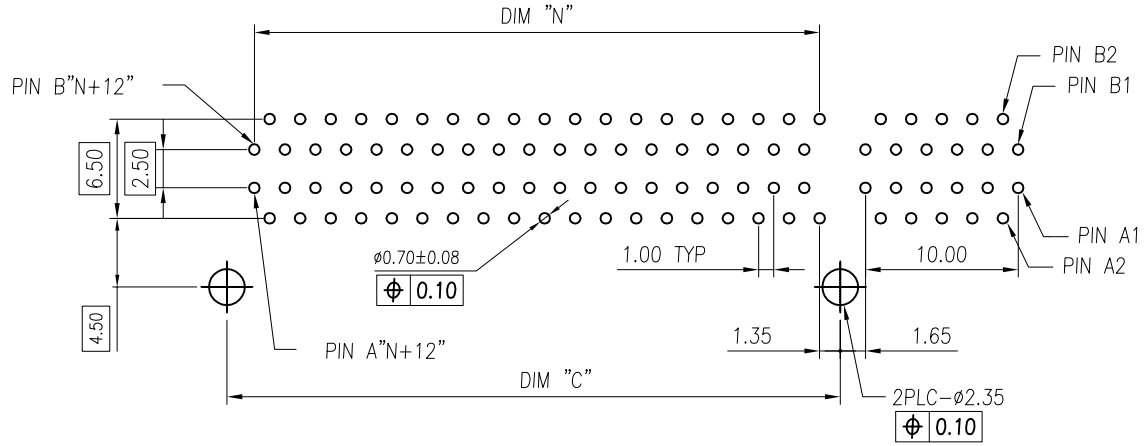


DIMENSIONS				
POSITION	N	C	F ±0.20	G
36	6	9.15	8.15	B PIN#17
64	20	23.15	22.15	B PIN#31
98	37	40.15	39.15	B PIN#48
164	70	73.15	72.15	B PIN#81

I/O PANEL DIRECTION
PRIMARY (COMPONENT) SIDE



I/O PANEL DIRECTION
SECONDARY (SOLDER) SIDE
ADD-IN CARD EDGE-FINGER DIMENSIONS



RECOMMENDED PCB LAYOUT (TOP VIEW)
TOLERANCE: ±0.05

TOLERANCE	
LINEAR	ANGLES
X.±	X'.±
.X±	.X'±
.XX±	.XX'±
.XXX±	.XXX'±

UMax conn 东莞市友贸实业有限公司
DONGGUAN UMAX ENTERPRISE LIMITED

APPD: Jason MAT'L:
CHKD: Schumi FINISH:
DRWN: Terry Q'TY:

TITLE:		PCI EXPRESS CARD EDGE, 1.0mm PITCH, R/A TYPE			
PART NO.		3091-10XXXT			
DWG NO.		309107001			
UNITS	SCALE	SHEET	REV		
				MM	1 : 1

REV	See Sheet 1	NAME	DATE
ECN NO.			