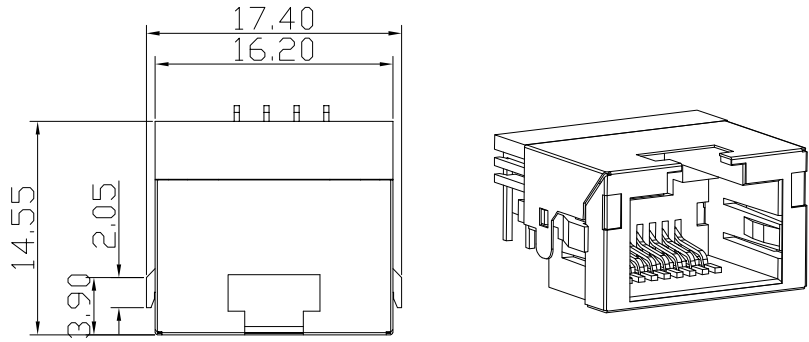


RoHS 2.0

REV.	ECN NO.	LOCATIONS	DESCRIPTION	DATE	DESIGN
AO			核对图面	2023.05.25	LZR



NOTES:

MATERIAL

- 1.HOUSING MATERIAL: THERMOPLASTIC BLACK UL94V-0.
- 2.CONTACT MATERIAL: C5191 R-H T=0.3MM
- 3.SHELL: SUS304 T=0.2MM

FINISH:

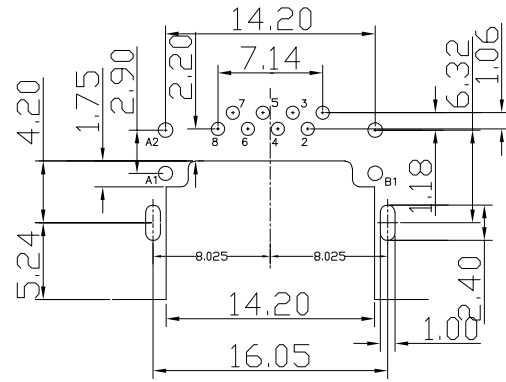
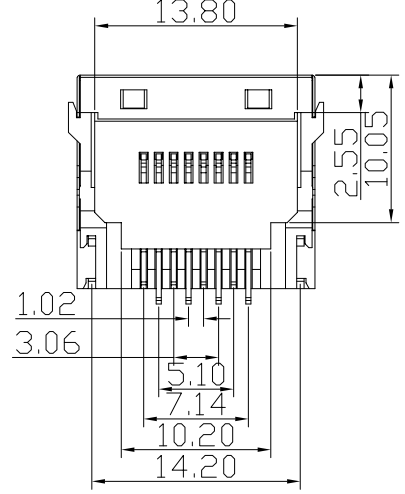
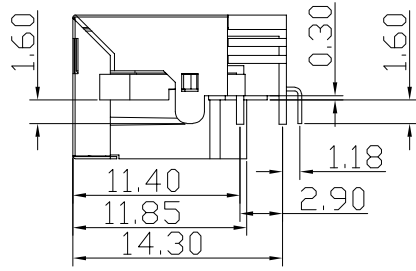
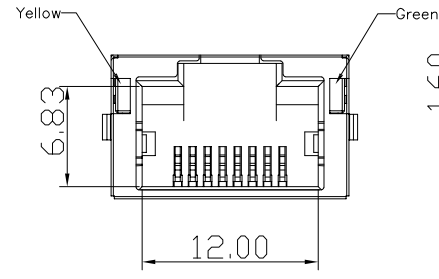
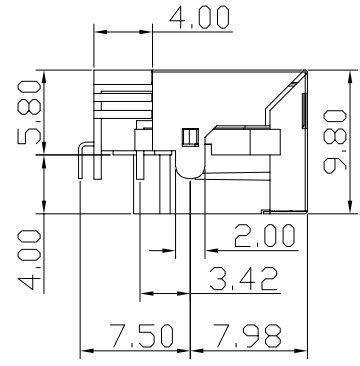
- 1.CONTACT PLATING: GOLD PLATING OVER NICKEL.

ELECTRICAL:

- 1.VOLTAGE RATING: 125 VAC RMS
- 2.CURRENT RATING: 1.5 AMP
- 3.CONTACT RESISTANCE: 30 MILLIOHMS MAX
- 4.INSULATION RESISTANCE: 500 MEGOHMS MIN @ 500V DC
- 5.DIELECTRIC WITHSTANDING VOLTAGE : 500V AC R.M.S MIN

MECHANICAL:

- 1.DURRABILITY: 750 CYCLES MIN



C	外壳	SUS	镀锌
B	端子	C5191	焊料区镀锡 接触区镀金 (1U)
A	基座	LCP	黑色
序号	品名	材质	电镀/颜色
			备注

## 深圳市虹成电子有限公司

UNLESS OTHERWISE, GENERAL TOLERANCE: X.xxx ±0.10 X.xx ±0.20 X.x ±0.30	NAME: RJ沉板超薄5.8H侧灯带壳		P/N: HC-WK88-C58-DK		
	THIRD ANGLE PROJECTION		DWG NO:		
	UNIT: MM	SCALE: 1:1	SIZE: A4	SHEET: 1/1	REV. A1
ANGULAR: X.xx° ±1° X.x° ±3° X.° ±5°	DRAWN:		CHECKED:		APPROVED: