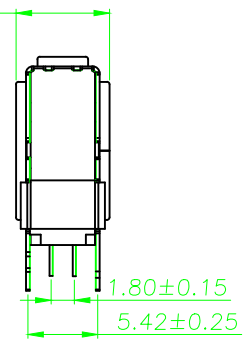
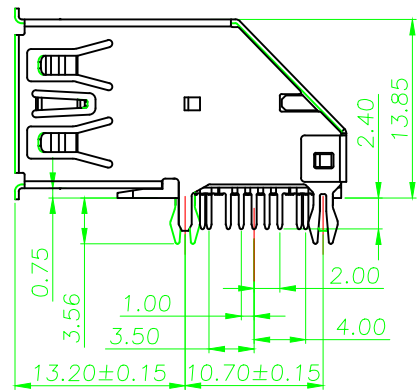
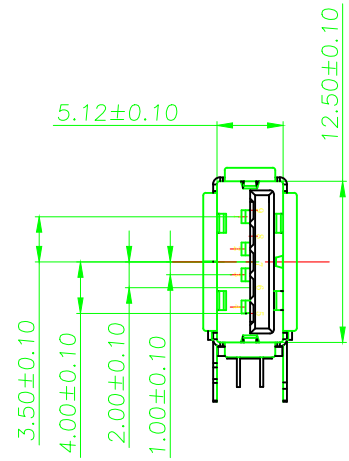


SPECIFICATIONS:
 Contact current Rating:
 1.8 Amperes for pin1&pin4.
 0.25 Amperes other contacts
 Dielectric Withstanding Voltage:AC 100V (RMS)
 Insulation resistance:100Megohms Minimum.
 Contact Resistance:
 30m ΩMax for pin1&pin4
 50m ΩMax for other contacts
 Mechanical Characteristics:
 Mating Force:35 Newtons.Maximum
 Unmating Force:10 Newtons.Mlimum.
 8N Min After Durability

MATERIAL:
 Housing: LCP
 Contact: copper alloy(T=0.2mm)
 Shell: SUS304

PLATING:
 Contact: Au Plated on contact area
 Tin Plated on solder area
 Nickel underplating over all
 Shell: Nickel Plated
 operating Temperature:-55° to+85°



T=PACK-T0018

料号备注									
CU	3	F	279	D	XX	X	XX	X	X

12=半金雾锡1U"		R=ROHS2.0标准
15=半金雾锡15U"	00=LCP蓝色	W=无卤+ROHS2.0
16=半金雾锡30U"	01=LCP黑色	H=REACH标准
		B=盐雾24H
		C=盐雾48H

Pin Number	Signal Name	Pin Number	Signal Name
1	VBUS	5	SSRX-
2	D-	6	SSRX+
3	D+	7	GND
4	GND	8	SSTX-
Shell	Shield	9	SSTX+

深圳市虹成电子有限公司

UNLESS OTHERWISE SPECIFIED TOLERANCES	APPROVAL	日期	品名	USB-3.0侧插卷边鱼叉脚
	制图	2017.08.17	规格	
	审核			
.X +/- .X +/- .XX +/- FRACTIONS +/- ANGLES +/-	核准		料号	HC-USB3.0-L257-J
0.35 0.35 0.25	文件位置		字张	工程图号:
2.00"	ANGLE OF PROJECTION		A4	版本:
DIMENSIONS			比例	1 : 1
(METRIC)			状态码	A
(MM)			页数	1 OF 1