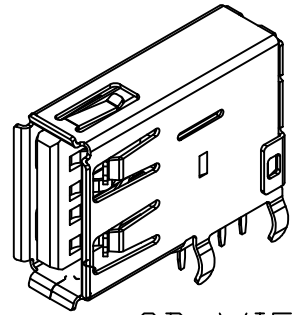


RoHS 2.0

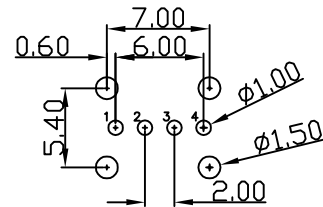
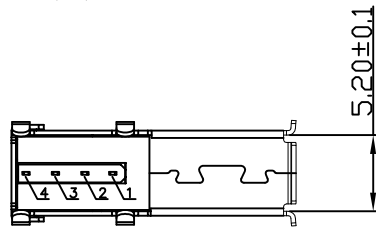
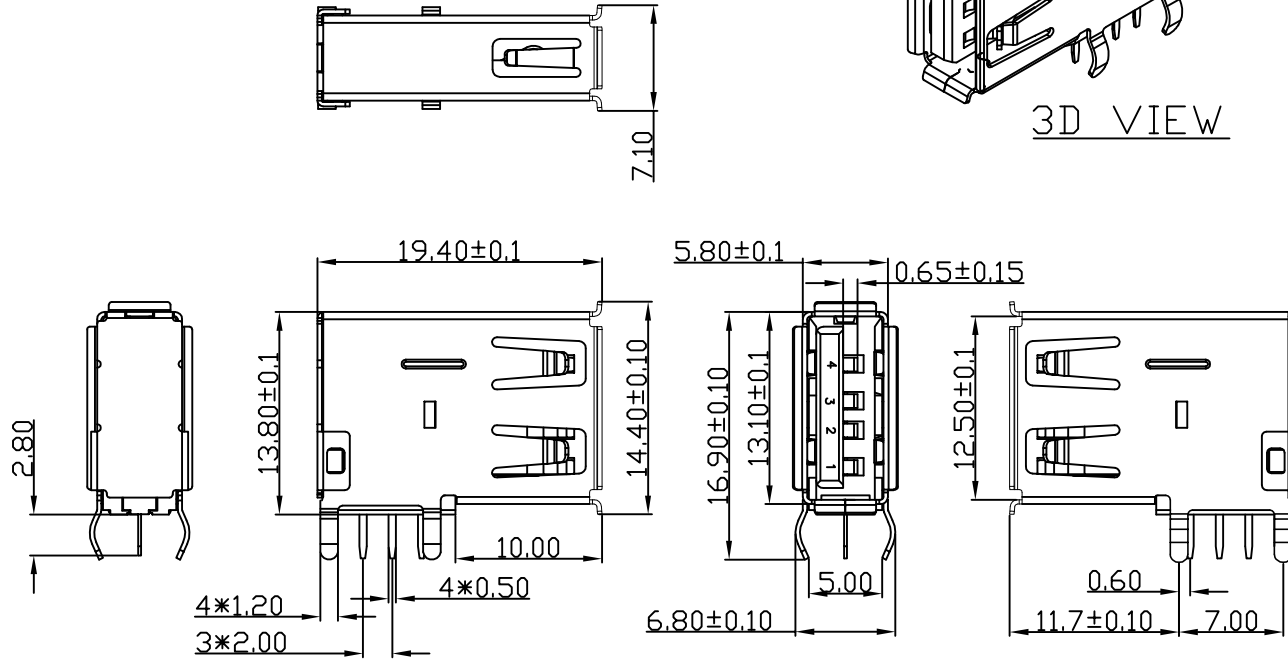
REV.	ECN	NO.	DESCRIPTION	DATE	DESIGN
A1.	/.		重新核对图面	21.01.07	LiHui
			HD	22.06.29	LZR



3D VIEW

NOTES:

1. MATERIAL:
  - 1.1. HOUSING: PBT ,COLOR IS WHITE;
  - 1.2. CONTACT: BRASS,T=0.20±0.02mm;
  - 1.3. SHELL: SPCC,T=0.3±0.02mm;
2. FINISH:
  - 2.1. TERMINAL:
    - CONTACT AREA: GOLD PLATED G/Fu”;
    - SOLDER AREA: PLATED OVER TIN;
  - 2.2. SHELL: NI PLATED OVER ALL ;
3. REFINISHED PCB THICKNESS: 1.60mm;
4. ELECTRICAL:
  - 4.1. VOLTAGE RATING: 30 VAC RMS;
  - 4.2. CURRENT RATING: 1.5 AMP;
  - 4.3. CONTACT RESISTANCE: 30MILLIOHMS MAX.;
  - 4.4. WITHSTAND VOLTAGE: 500 VAC RMS  
50(60)Hz,1MIN.;
  - 4.5. INSULATION RESISTANCE: 100MEGOHMS MIN  
@500V DC;
5. MECHANICAL:
  - 5.1. MATING FORCE: 35N MAX.;
  - 5.2. UNMATING FORCE: 5~35N;
  - 5.3. OPERATING LIFE: 1500 CYCLES MIN.;
6. ENVIRONMENTAL:
  - 6.1. STORAGE TEMPERATURE RANGE: -40°C~+85°C;
  - 6.2. OPERATION TEMPERATURE RANGE: -25°C~+70°C;
- 7.SALT SPRAY TEST:24H(EXCLUDING RIVETED BENDS)
- 8.SOLDERABILITY: 245±5°C,5±0.5S



RECOMMEND PCB LAYOUT(±0.05)

C	外壳	SPCC	镀镍	
B	端子	黄铜-165	焊料区镀锡 接触区镀金	
A	底座	PBT	白色	
序号	品名	材质	电镀/颜色	备注

深圳市虹成电子有限公司

UNLESS OTHERWISE GENERAL TOLERANCE:	OTHERWISE:	NAME:	A母侧插长方体有边		P/N:	HC-USB2.0-L195-J		
			(K脚1.2*6.8) 白胶		DWG NO.:			
X.xxx	±0.10	THIRD ANGLE PROJECTION	UNIT:	SCALE	SIZE:	SHEET:	REV.:	
X.xx	±0.20			mm	1:1	A4	1/1	A1
X.x	±0.30			DRAWN:		CHECKED:	APPROVED	
ANGULAR:								
X.xx'	±1'							
X.x'	±3'							
X.°	±5'							