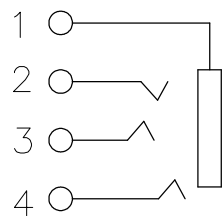
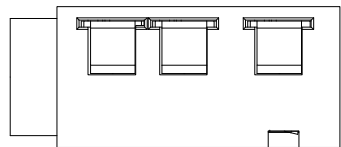
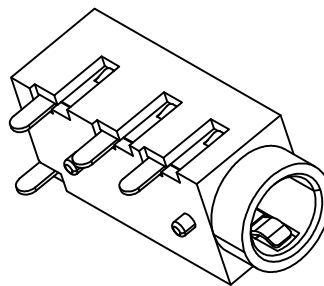


RoHS 2.0

| REV. | ECN | NO. | DESCRIPTION | DATE     | DESIGN |
|------|-----|-----|-------------|----------|--------|
| A1.  | /.  |     | 重新核对图面      | 21.01.12 | LiHui  |
| A2.  | /.  |     | 重新核对图面      | 22.11.15 | LZR    |



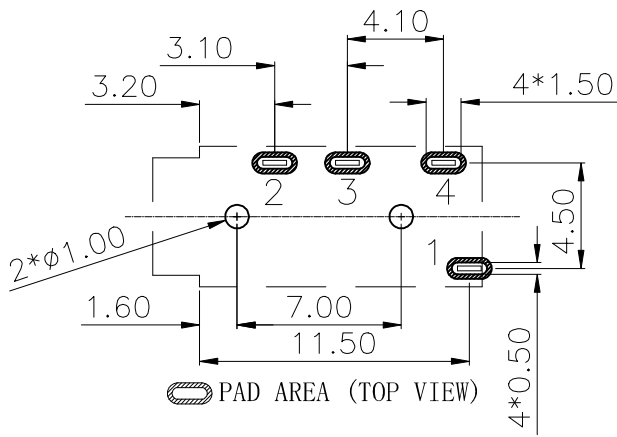
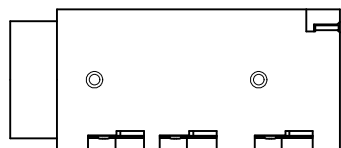
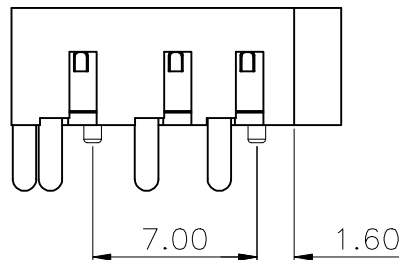
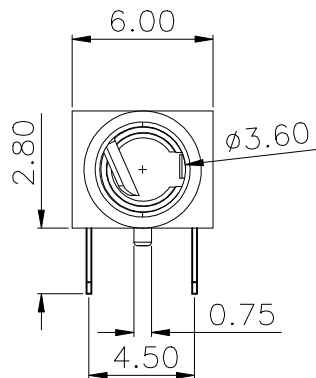
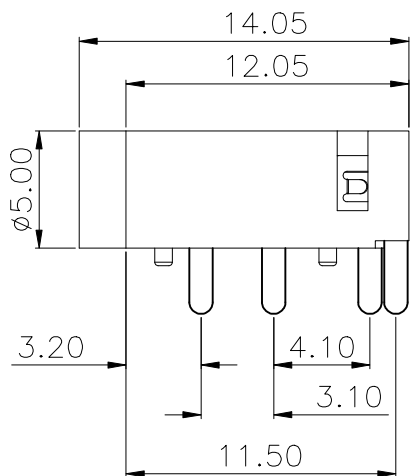
电气性能



3D VIEW

NOTES:

- MATERIAL:
  - HOUSING: PPA. COLOR IS BLACK;
  - CONTACT: PHOSPHOR COPPER (C5191,T=0.2mm);
- FINISH:
  - TERMINAL:
    - CONTACT AREA: NI PLATED OVER ALL;
    - SOLDER AREA: SN PLATED OVER ALL;
- ELECTRICAL:
  - VOLTAGE RATING: 30 VAC RMS;
  - CURRENT RATING: 0.5 AMP;
  - CONTACT RESISTANCE: 30MILLIOHMS MAX.;
  - WITHSTAND VOLTAGE: 500 VAC RMS  
50(60)Hz,1MIN.;
  - INSULATION RESISTANCE: 100MEGOHMS MIN  
@500V DC;
- MECHANICAL:
  - MATING FORCE: 5~25N;
  - UNMATING FORCE: 5~25N;
  - OPERATING LIFE: 5000 CYCLES;
- ENVIRONMENTAL:
  - STORAGE TEMPERATURE RANGE: -40°C~+85°C;
  - OPERATION TEMPERATURE RANGE: -25°C~+70°C;
- SALT SPRAY TEST:8H(EXCLUDING RIVETED BENDS)



RECOMMEND PCB LAYOUT(±0.05)

|    |    |     |       |    |
|----|----|-----|-------|----|
| B  | 端子 | 磷铜  | 镀镍 镀锡 |    |
| A  | 基座 | LCP | 黑色    |    |
| 序号 | 品名 | 材质  | 电镀/颜色 | 备注 |

深圳市虹成电子有限公司

|  |                        |                      |               |                             |               |
|--|------------------------|----------------------|---------------|-----------------------------|---------------|
| UNLESS OTHERWISE, GENERAL TOLERANCE:<br>X.xxx ±0.10<br>X.xx ±0.20<br>X.x ±0.30 | OTHERWISE, TOLERANCE:  | NAME:<br>320D 红铜插件黑色 |               | P/N:<br>DWG NO.: HC-PJ-320A |               |
|  | THIRD ANGLE PROJECTION | UNIT:<br>mm          | SCALE:<br>1:1 | SIZE:<br>A4                 | SHEET:<br>1/1 |
| ANGULAR:<br>X.xx° ±1°<br>X.x° ±3°<br>X° ±5°                                    | DRAWN:                 | CHECKED:             | APPROVED      |                             |               |