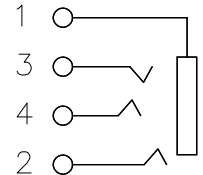
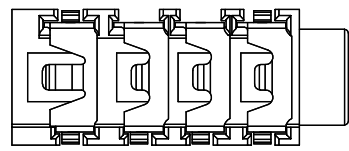
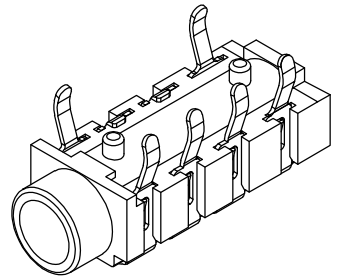


RoHS 2.0

| REV. | ECN NO. | DESCRIPTION | DATE | DESIGN |
|------|---------|-------------|----------|--------|
| A1. | /. | 重新核对图面 | 21.01.13 | LiHui |
| A2. | /. | HD | 22.08.10 | LZR |



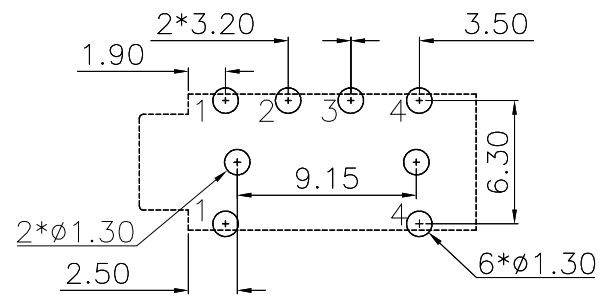
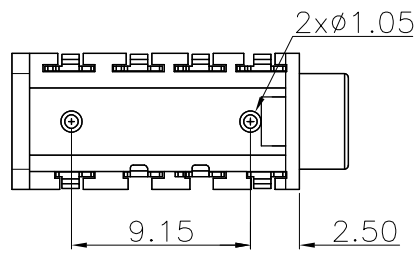
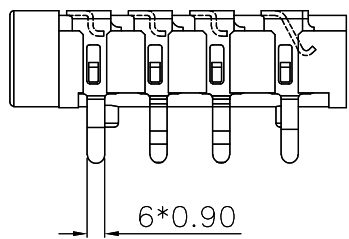
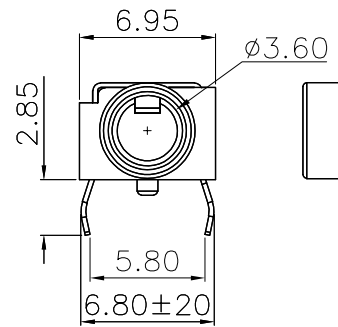
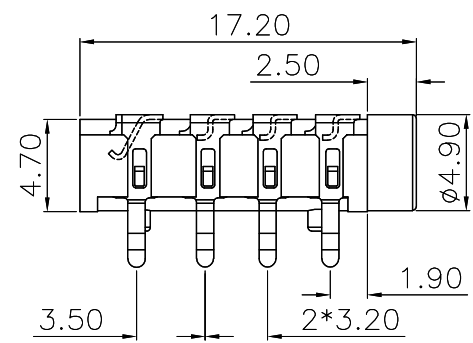
电气性能



3D VIEW

NOTES:

- MATERIAL:
 - HOUSING: PA46, COLOR IS BLACK;
 - CONTACT: PHOSPHOR COPPER (C5191,T=0.25);
- ELECTRICAL:
 - VOLTAGE RATING: 30 VAC RMS;
 - CURRENT RATING: 0.5 AMP;
 - CONTACT RESISTANCE: 30MILLIOHMS MAX.;
 - WITHSTAND VOLTAGE: 500 VAC RMS
50(60)Hz,1MIN.;
 - INSULATION RESISTANCE: 100MEGOHMS MIN
@500V DC;
- MECHANICAL:
 - MATING FORCE: 5~25N;
 - UNMATING FORCE: 5~25N;
 - OPERATING LIFE: 5000 CYCLES;
- PLATING:
 - TERMINAL:
NI PLATING OVER ALL,
TIN PLATING ON SOLDER AREA,
- ENVIRONMENTAL:
 - STORAGE TEMPERATURE RANGE: -40°C~+85°C;
 - OPERATION TEMPERATURE RANGE: -25°C~+70°C;
- SALT SPRAY TEST:8H(EXCLUDING RIVETED BENDS)



RECOMMEND PCB LAYOUT(±0.05)

| | | | | |
|----|----|-------|------------|----|
| B | 端子 | C5191 | 焊料区镀锡 全周镀镍 | |
| A | 底座 | PA46 | 黑色 | |
| 序号 | 品名 | 材质 | 电镀/颜色 | 备注 |

深圳市虹成电子有限公司

| | | | | |
|--------------------------------------------------------------------------------|------------------------|--------------------|---------------|-------------|
| UNLESS OTHERWISE, GENERAL TOLERANCE: X.xxx ±0.10 X.xx ±0.20 X.x ±0.30 | NAME: | P/N: HC-PJ-313B6-B | | |
| | 313耳机四节弯脚6.8黑色 | | DWG No.: | |
| ANGULAR: X.xx' ±1' X.x' ±3' X.' ±5' | THIRD ANGLE PROJECTION | UNIT: mm | SCALE: 1:1 | SIZE: A4 |
| | DRAWN: | CHECKED: | SHEET: 1/1 | REV.: A1 |
| | | | APPROVED | |