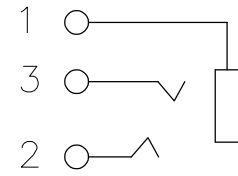
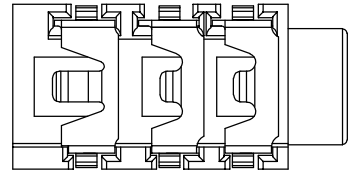
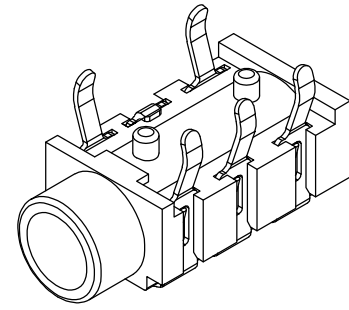


RoHS 2.0

REV.	ECN NO.	DESCRIPTION	DATE	DESIGN
A1.	/.	重新核对图面	21.01.13	LiHui
A2.	/.	HD	22.08.10	LZR



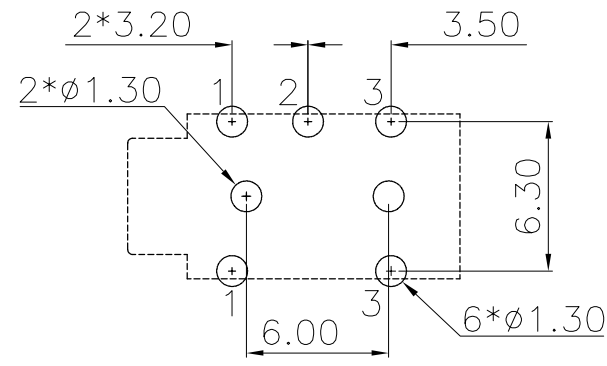
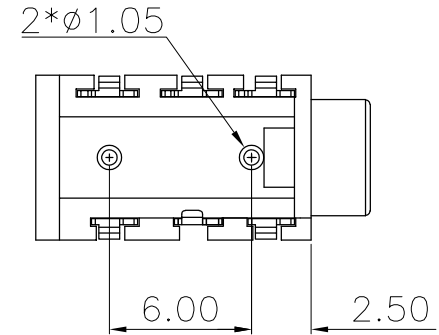
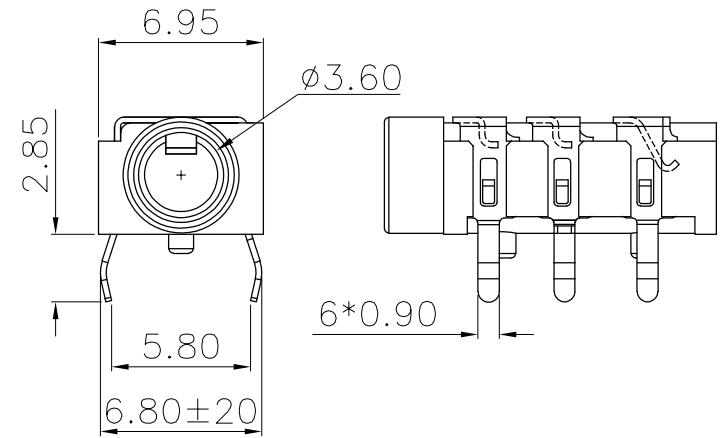
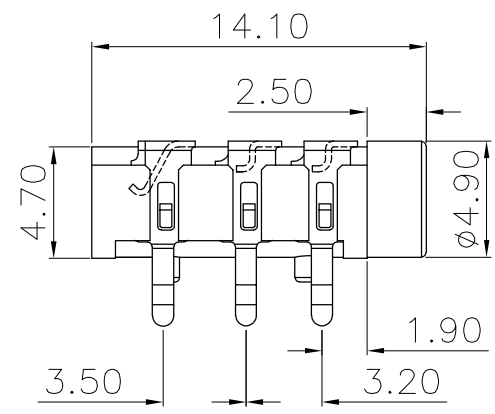
电气性能



3D VIEW

NOTES:

- MATERIAL:
 - HOUSING: PA46, COLOR IS BLACK;
 - CONTACT: PHOSPHOR COPPER (C5191,T=0.25mm);
- ELECTRICAL:
 - VOLTAGE RATING: 30 VAC RMS;
 - CURRENT RATING: 0.5 AMP;
 - CONTACT RESISTANCE: 30MILLIOHMS MAX.;
 - WITHSTAND VOLTAGE: 500 VAC RMS
50(60)Hz,1MIN.;
 - INSULATION RESISTANCE: 100MEGOHMS MIN
@500V DC;
- MECHANICAL:
 - MATING FORCE: 5~25N;
 - UNMATING FORCE: 5~25N;
 - OPERATING LIFE: 5000 CYCLES;
- PLATING:
 - TERMINAL:
NI PLATING OVER ALL,
TIN PLATING ON SOLDER AREA,
- ENVIRONMENTAL:
 - STORAGE TEMPERATURE RANGE: -40°C~+85°C;
 - OPERATION TEMPERATURE RANGE: -25°C~+70°C;
- SALT SPRAY TEST:8H(EXCLUDING RIVETED BENDS)



RECOMMEND PCB LAYOUT(±0.05)

B	端子	C5191	焊料区镀锡 全周镀镍	
A	基座	PA46	黑色	
序号	品名	材质	电镀/颜色	备注

深圳市虹成电子有限公司

UNLESS OTHERWISE, GENERAL TOLERANCE: X.xxx ±0.10 X.xx ±0.20 X.x ±0.30	NAME:	P/N: HC-PJ-3136-B			
	313耳机3节弯脚6.8黑色		DWG NO.:		
ANGULAR: X.xx' ±1' X.x' ±3' X.' ±5'	THIRD ANGLE PROJECTION	UNIT:	SCALE:	SIZE:	SHEET:
		mm	1:1	A4	1/1
DRAWN:		CHECKED:		APPROVED	