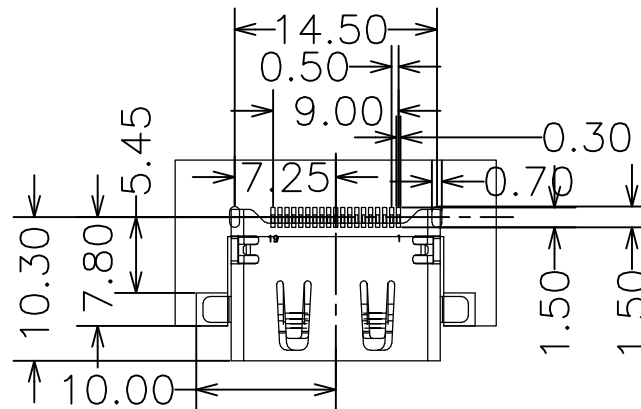
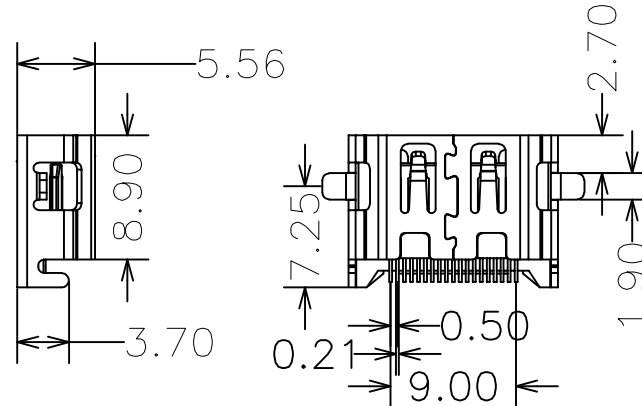
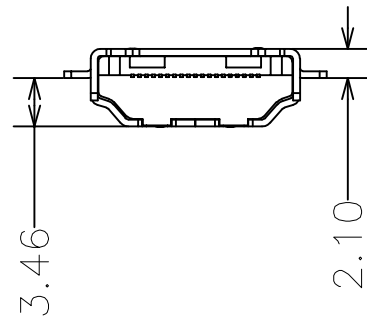
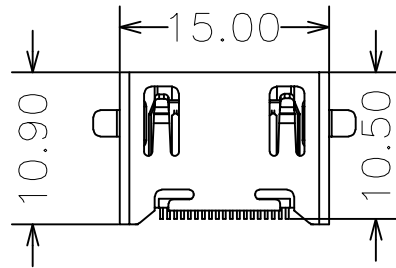
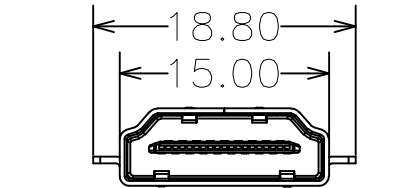
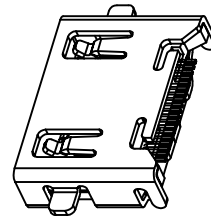


RoHS 2.0

REV:	ECN NO.	DESCRIPTION	DATE	DESIGN
A1.	/.	新版发行		

NOTES:

1. MATERIAL:
  - 1.1. HOUSING: LCP, COLOR IS BLACK;
  - 1.2. CONTACT: BRASS (H65 T=0.20mm);
  - 1.3. SHELL: COLD ROLLED IRON (SPCC,T=0.5mm);
2. FINISH:
  - 2.1. TERMINAL:
    - CONTACT AREA: GOLD PLATED G/Fu";
    - SOLDER AREA: PLATED OVER TIN;
  - 2.2. SHELL: NI PLATED OVER ALL ;
4. ELECTRICAL:
  - 4.1. VOLTAGE RATING: 40 VAC RMS;
  - 4.2. CURRENT RATING: 0.5 AMP;
  - 4.3. CONTACT RESISTANCE: 30mΩ MAX.;
  - 4.4. WITHSTAND VOLTAGE: 500 VAC RMS  
50(60)Hz,1MIN.;
  - 4.5. INSULATION RESISTANCE: 100MEGOHMS MIN  
@500V DC;
5. MECHANICAL:
  - 5.1. MATING FORCE: 44.1N MAX.;
  - 5.2. UNMATING FORCE: 9.8N MIN.;
  - 5.3. OPERATING LIFE: 10000 CYCLES MIN.;
6. ENVIRONMENTAL:
  - 6.1. STORAGE TEMPERATURE RANGE: -40°C~+85°C;
  - 6.2. OPERATION TEMPERATURE RANGE: -25°C~+70°C;
- 7.SALT SPRAY TEST:24H(EXCLUDING RIVETED BENDS)



RECOMMEND PCB LAYOUT  
TOLERANCE: ±0.05 T=1.2  
TOP VIEW

C	外壳	SPCC	镀镍
B	端子	黄铜H65	焊料区镀锡 接触区镀金(1U)
A	基座	LCP	黑色
序号	品名	材质	电镀/颜色
			备注

深圳市虹成电子有限公司

UNLESS OTHERWISE, GENERAL TOLERANCE: X.xx ±0.10 X.xx ±0.20 X.x ±0.30	OTHERWISE, TOLERANCE: X.xx' ±1" X.x' ±3" X.' ±5"	NAME: HDMI 沉板		P/N: HC-HDMI0019T-3	
		DWG NO.:			
THIRD ANGLE PROJECTION		UNIT:	SCALE:	SIZE:	SHEET:
DRAWN:		mm	1:1	A4	1/1
CHECKED:		APPROVED			