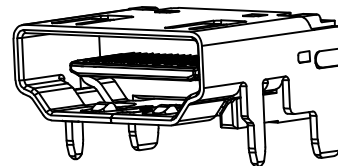
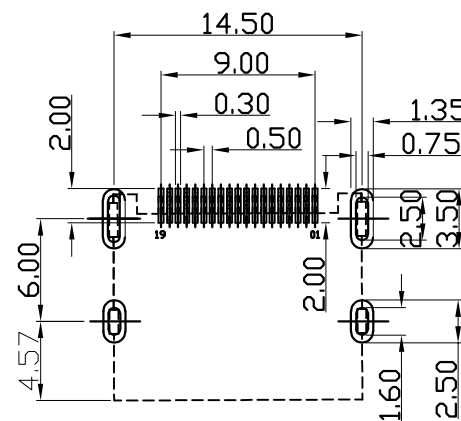
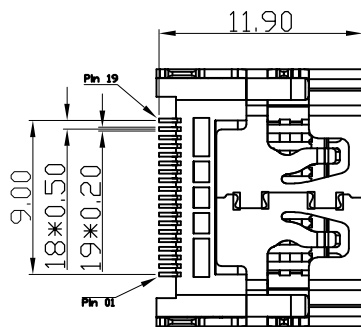
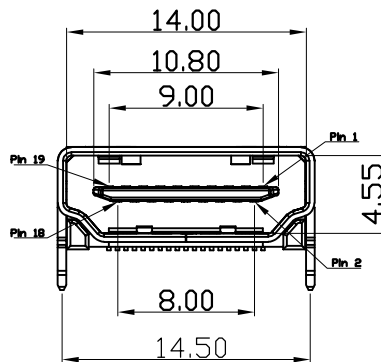
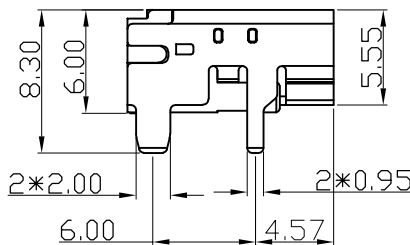
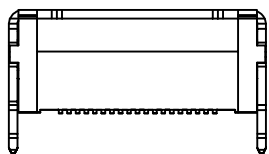
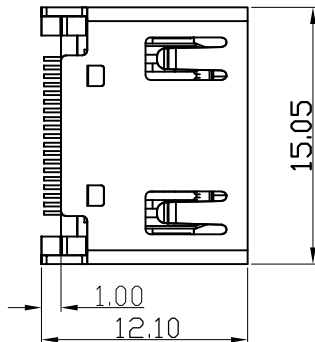


RoHS 2.0

REV.	ECN	NO.	DESCRIPTION	DATE	DESIGN
A1.	/.		重新核对图面	21.01.03	LiHui
A2.	/.		HD	22.12.08	LZR



3D VIEW



RECOMMEND PCB LAYOUT(±0.05)

NOTES:

- MATERIAL:
 - HOUSING: LCP,COLOR IS GRAY,HIGH TEMPERATURE PLASTIC;
 - CONTACT: BRASS(H65 T=0.20mm);
 - SHELL: BRASS(H65,T=0.50mm);
- FINISH:
 - TERMINAL:
 - CONTACT AREA: GOLD PLATED G/Fu”;
 - SOLDER AREA: PLATED OVER TIN;
 - SHELL: NI PLATED OVER ALL ;
- ELECTRICAL:
 - VOLTAGE RATING: 40 VAC RMS;
 - CURRENT RATING: 0.5 AMP;
 - CONTACT RESISTANCE: 30mΩ MAX.;
 - WITHSTAND VOLTAGE: 500 VAC RMS
50(60)Hz,1MIN.;
 - INSULATION RESISTANCE: 100MEGOHMS MIN
@500V DC;
- MECHANICAL:
 - MATING FORCE: 44.1N MAX.;
 - UNMATING FORCE: 9.8N MIN;
 - OPERATING LIFE: 10000 CYCLES MIN.;
- ENVIRONMENTAL:
 - STORAGE TEMPERATURE RANGE:-40°C~+85°C;
 - OPERATION TEMPERATURE RANGE:-25°C~+70°C;
- SALT SPRAY TEST:24H(Salt spray test 24hours for gold plated area and 8 hours for tin plated area)

C	外壳	黄铜-H65	镀镍	
B	端子	黄铜-H65	焊料区镀锡 接触区镀金(1U)	
A	底座	LCP	灰色	
序号	品名	材质	电镀/颜色	备注

深圳市虹成电子有限公司

UNLESS OTHERWISE TOLERANCE: X.xx ±0.10 X.xx ±0.20 X.x ±0.30 X. ±0.35	ANGULAR: X.xx' ±1' X.x' ±3' X.' ±5'	NAME: HDMI 铜无点镍		P/N: HC-HDMI0019T-2	
		THIRD ANGLE PROJECTION		DWG NO.:	
DRAWN:		UNIT: mm	SCALE: 1:1	SIZE: A4	SHEET: 1/1
		CHECKED:		APPROVED	
				REV.:	A1