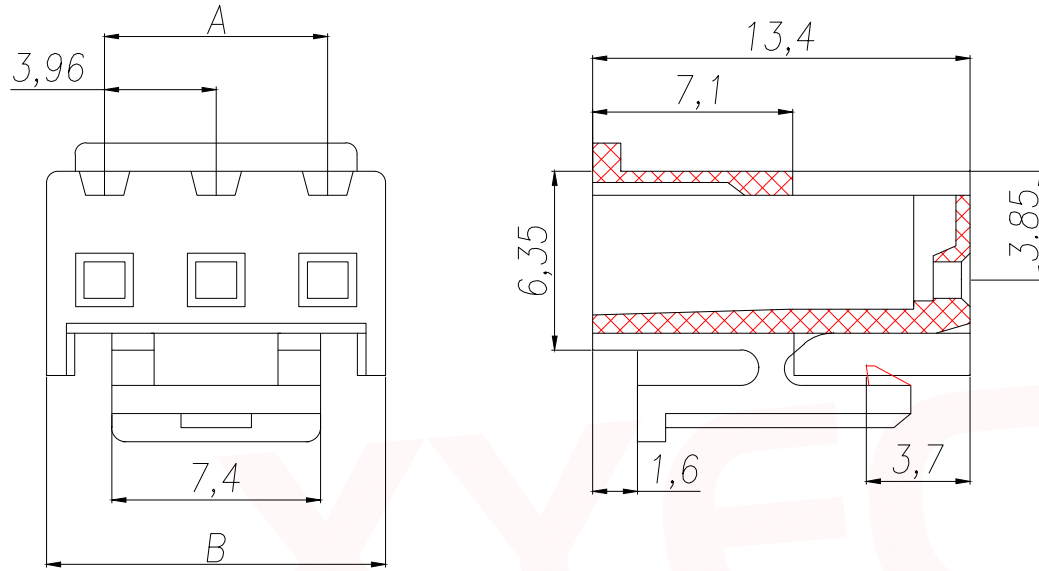


REV.	Q'TY	ECN. NO.	APR.	DATE



Part No	Pin	A	B
XY-VH3.96-2A41	2	3.96	8.07
XY-VH3.96-3A41	3	7.92	12.03
XY-VH3.96-4A41	4	11.88	15.99
XY-VH3.96-5A41	5	15.84	19.95
XY-VH3.96-6A41	6	19.8	23.91
XY-VH3.96-7A41	7	23.76	27.87
XY-VH3.96-8A41	8	27.72	31.83
XY-VH3.96-9A41	9	31.68	35.79
XY-VH3.96-10A41	10	35.64	39.75
XY-VH3.96-11A41	11	39.6	43.71
XY-VH3.96-12A41	12	43.58	47.67

技术参数:
 PIN数: 2~12
 适用线规: AWG22#~18#
 适用基板厚度: 1.6mm
 温度范围: -25℃~85℃
 额定电压: 250V AC/DC
 额定电流: 7.5A
 接触电阻: ≤0.015 Ω
 绝缘电阻: ≥1000N Ω
 耐压: 1500V AC/minute
 材料: (Nylon)66 UL94V-2(0)
 孔座

DIMENSION IN mm		TOLERANCE UNLESS OTHERWISE SPECIFIED		厦门市辛译精密电子有限公司 Xiamen XinYi Xyecomm Electronics Co.,Ltd	
.X±0.35	X.*± 5°	APR.	Alex	TITLE: VH3.96MM HOUSING	
.XX±0.25	.X*± 3°	CHK.	Jack	DWG NO. XY-VH3.96-NA41	
.XXX±0.15	.XX*± 1°	DRA.	Can	PROJ. CUSTOMER DRAWING	
		SIZE	A4	SCALE	1:1
		SHEET	1/1	REV.	A