

### GT-TC029B-H020-L1 A

**G-Switch**

**Operating Force**

A=160gf  
B=250gf  
C=100gf  
D=400gf

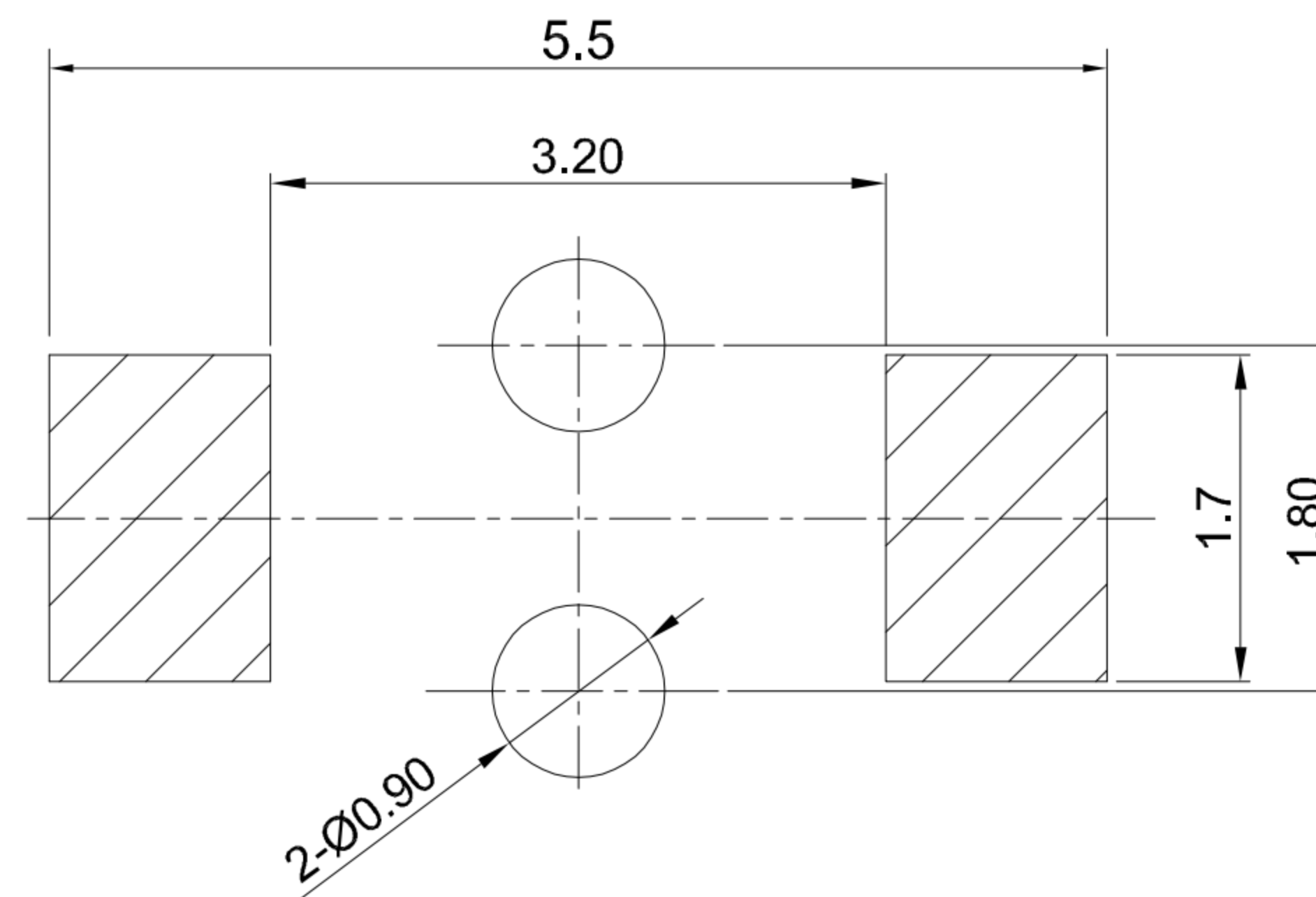
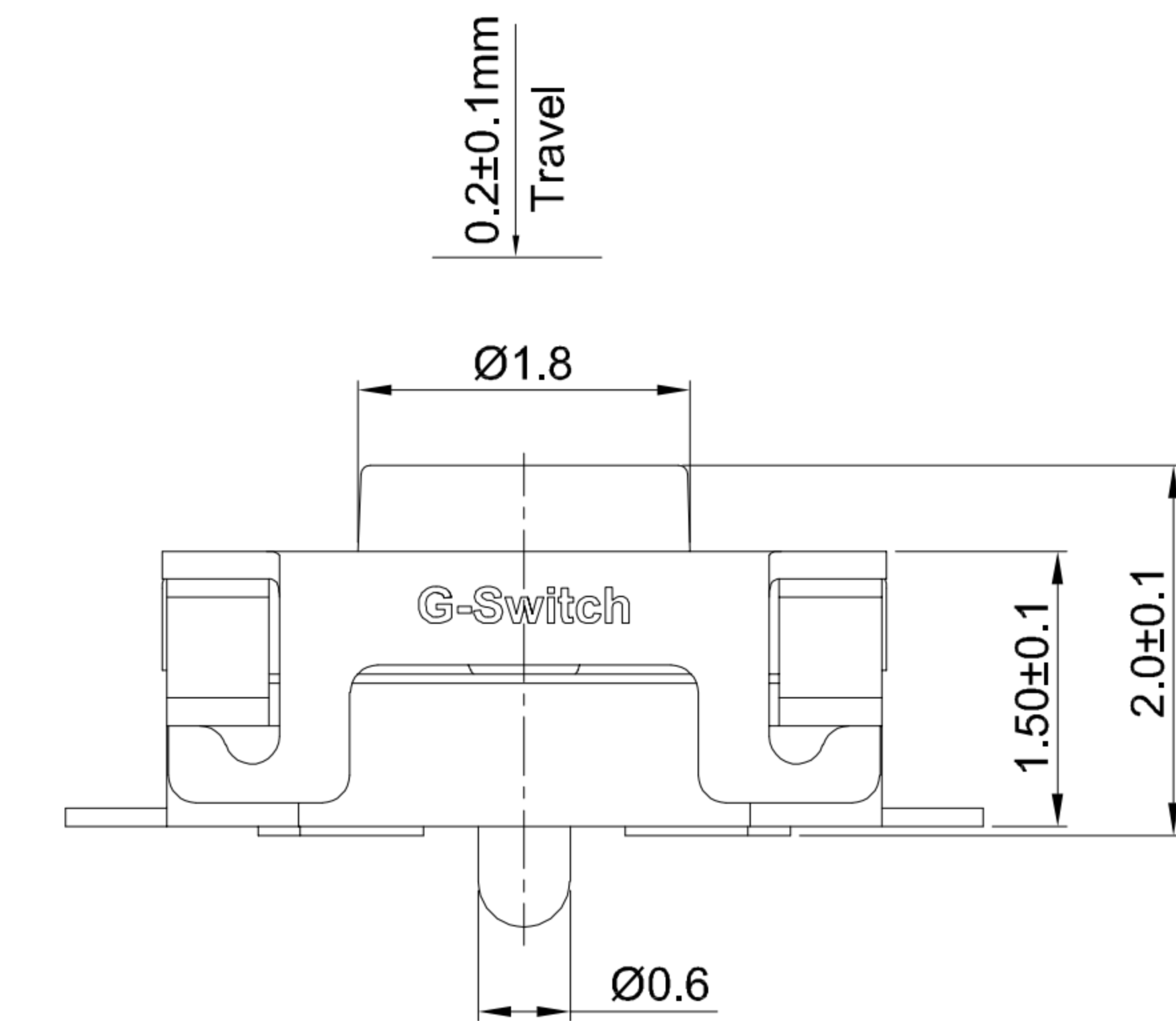
**DETAIL**

A=Base With Pilot  
N=Non Pilot

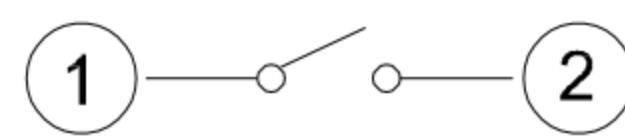
**Switch Height**

H020=2.0mm  
H025=2.5mm  
H030=3.0mm  
H040=4.0mm

**Switch Lifetime (Force)**  
L1=100,000 Cycles



**RECOMMENDED PCB LAYOUT**  
TOLERANCE:±0.05

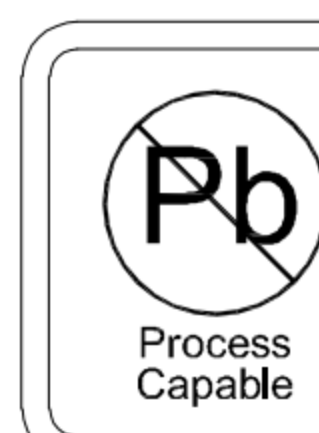


CIRCUIT DIAGRAM

**G-Switch Specification:**

1. Operating temperature range: -40°C ~ +85°C
2. Rating: 50mA, 12V DC
3. Insulation resistance: 100MΩ min. 100V DC
4. Dielectric strength: 250V AC for 1 min
5. Contact resistance: 100mΩ max.
6. Travel: 0.20±0.1mm

6	STEM	LCP-130i	BLACK
5	COVER	STAINLESS STEEL	
4	TAPE	POLYIMIDE	
3	CONTACT	STAINLESS STEEL	Ag PLATING
2	TERMINAL	COPPER ALLOY	Ag PLATING
1	CASE	HIGH TEMPERATURE PLASTIC	
NO.	PART NAME	MATERIAL	REMARK



**RoHS**  
Compliant  
EU RoHS Standards



SCALE: 1:1 UNIT: mm  
SIZE: A4

Unless otherwise  
General Tolerance:  
X. ±0.40  
X.x ±0.30  
X.xx ±0.20  
X° ±5°  
X.x° ±3°

Title: Vertical Tact Switch  
SMT Flat Terminal 4.0×3.0×2.0mm

Molde Code: GT-TC029B-H020-L1A

DRAWN	CHECKED	APPROVED	DATE
Xia	Chen	Chen	2023.02.01



REV: A0 SHEET: 1/1