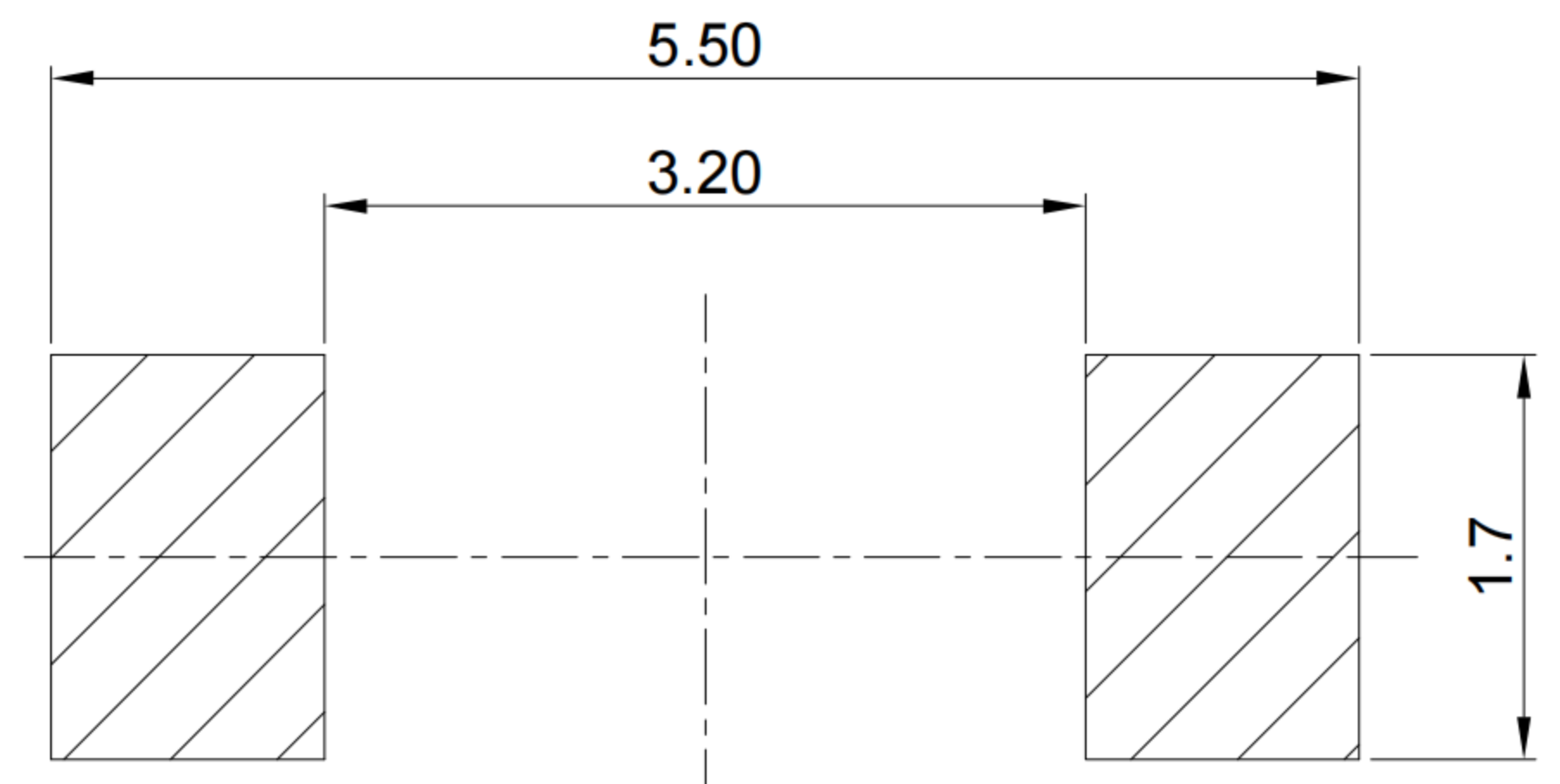
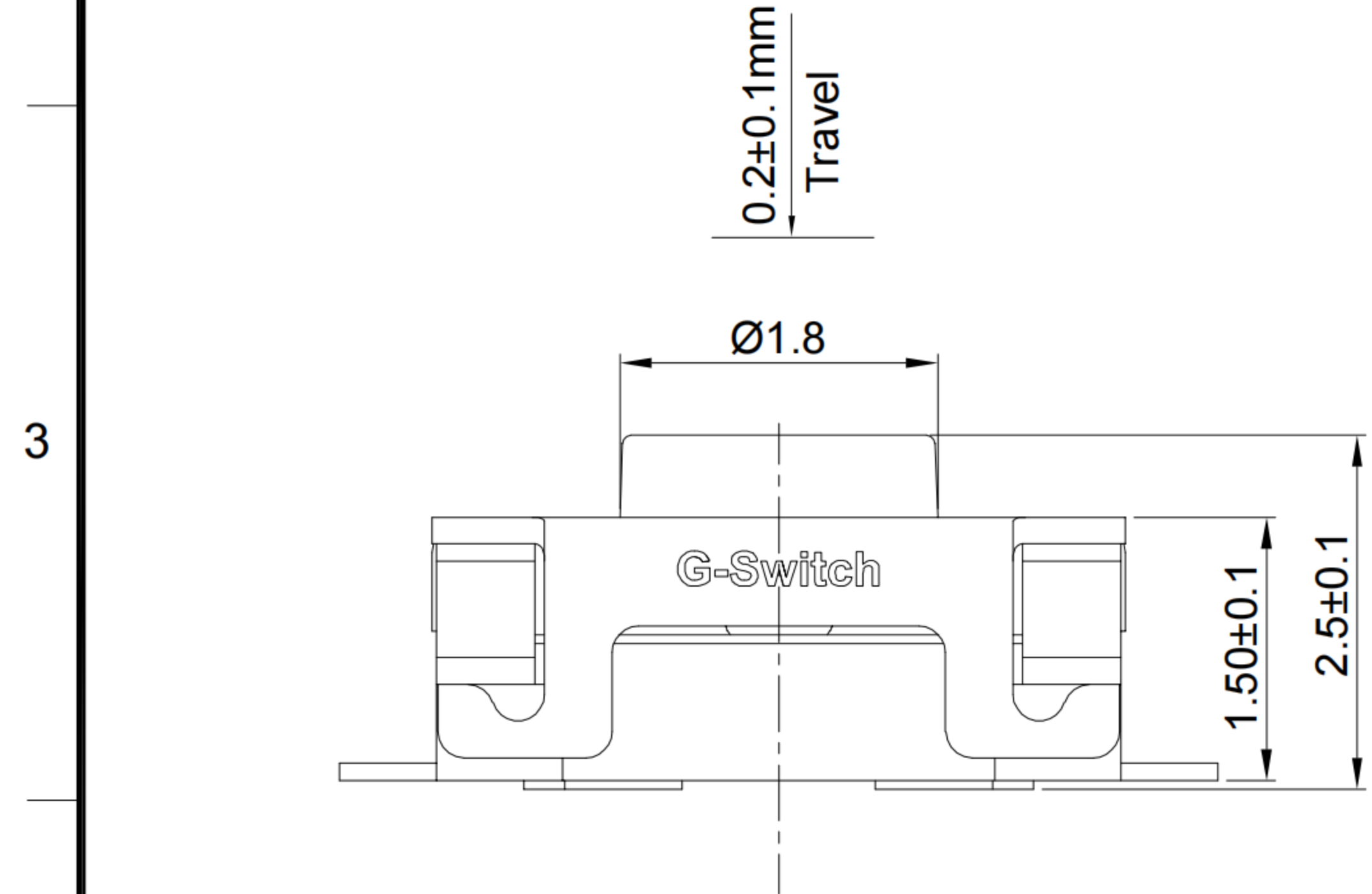
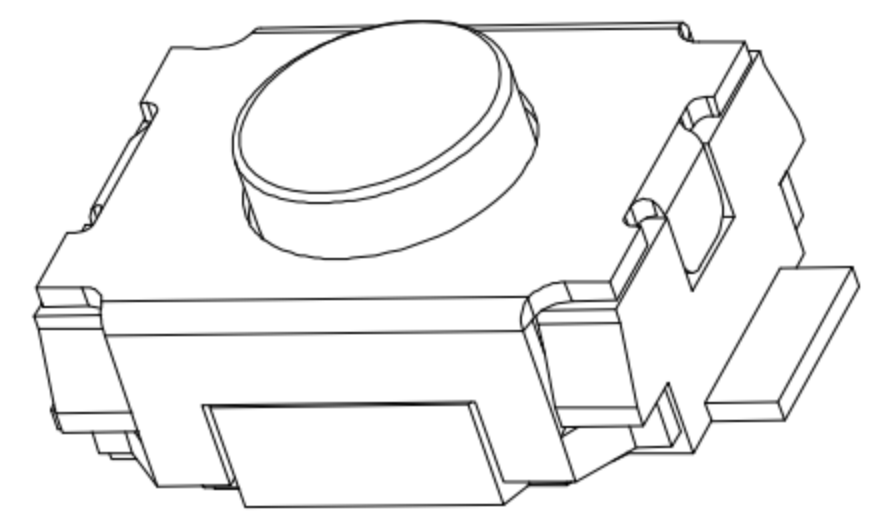
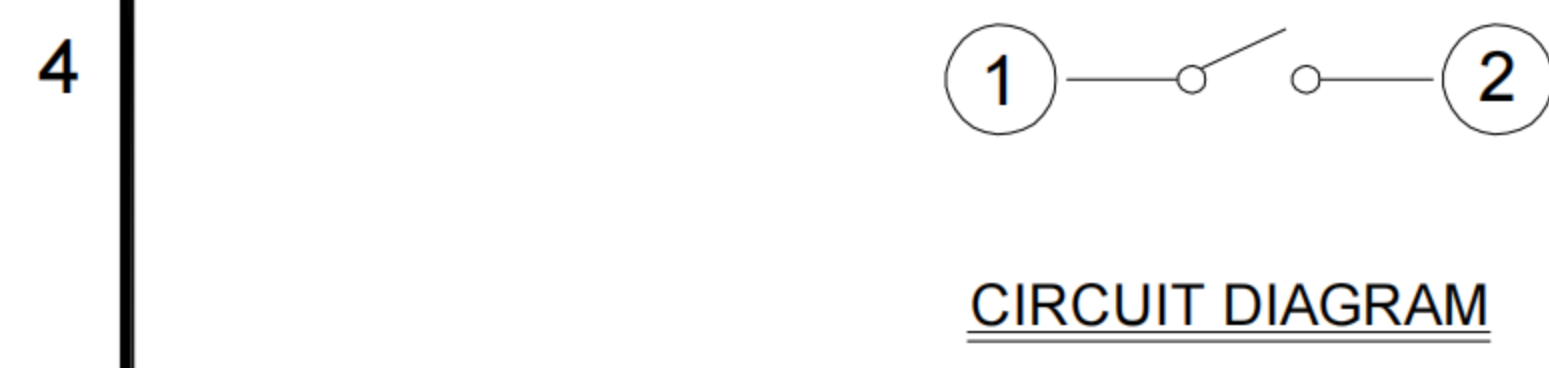


### GT-TC029A-H025-L1 N

- G-Switch**
- Operating Force**  
A=160gf  
B=250gf  
C=100gf  
D=400gf
- Switch Height**  
H020=2.0mm  
H025=2.5mm  
H030=3.0mm  
H040=4.0mm
- Detail**  
A=Base With Pilot  
N=Non Pilot
- Switch Lifetime (Force)**  
L1=100,000 Cycles



**RECOMMENDED PCB LAYOUT**  
TOLERANCE:±0.05



- G-Switch Specification:**
- Operating temperature range: -40°C ~ +85°C
  - Rating: 50mA, 12V DC
  - Insulation resistance: 100MΩ min, 100V DC
  - Dielectric strength: 250V AC for 1 min
  - Contact resistance: 100mΩ max.
  - Travel: 0.20±0.10mm

6	STEM	LCP-130i	BLACK
5	COVER	STAINLESS STEEL	
4	TAPE	POLYIMIDE	
3	CONTACT	STAINLESS STEEL	Ag PLATING
2	TERMINAL	COPPER ALLOY	Ag PLATING
1	CASE	HIGH TEMPERATURE PLASTIC	
NO.	PART NAME	MATERIAL	REMARK



SCALE: 1:1	UNIT: mm	Title: Vertical Tact Switch SMT Flat Terminal 4.0×3.0×2.5mm	
SIZE: A4		Molde Code: GT-TC029A-H025-L1N	
Unless otherwise General Tolerance:		DRAWN	CHECKED
X.	±0.40	Xia	Chen
X.x	±0.30	APPROVED	DATE
X.xx	±0.20	Chen	2023.02.01
X°	±5°	REV: A0	SHEET: 1/1
X.x°	±3°		

