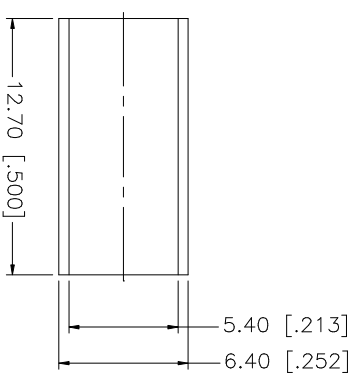
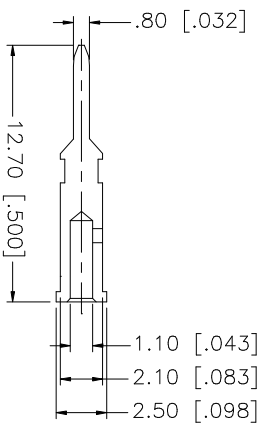
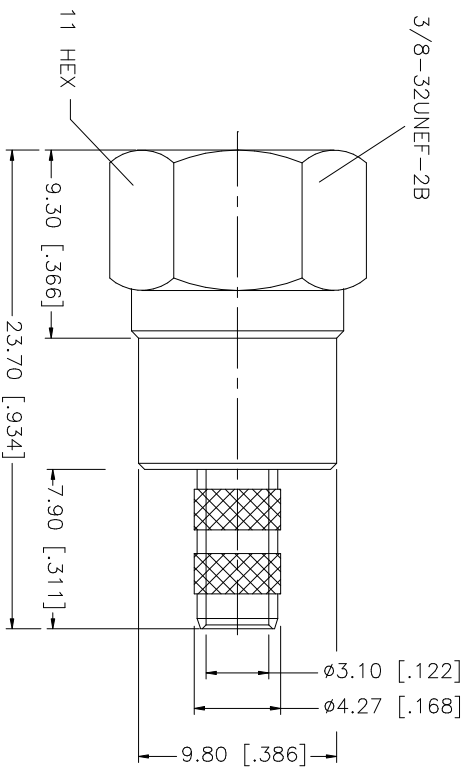
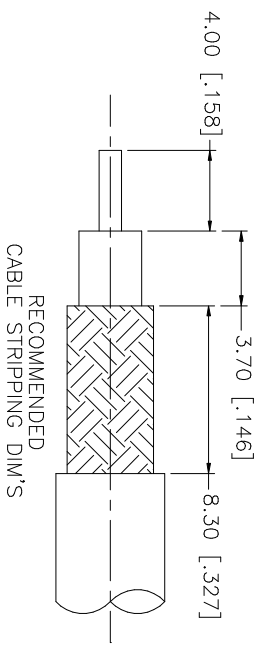


REV.	DATE	DESCRIPTION
NC	04/07/06	INITIAL RELEASE



- NOTES:
1. CRIMPED FERRULE  
HEX CRIMP SIZE .213"
  2. CONTACT PIN TO SOLDER OR  
.068" HEX CRIMP.

UNLESS OTHERWISE SPECIFIED DIMENSIONS ARE IN INCHES AND FOR CUSTOMER REFERENCE ONLY. TOLERANCES FOR MILLIMETERS ARE:	APPROVALS	DATE	PART DESCRIPTION						
0.5 - 8mm ± 0.20mm	DRAWN G.R.S.	04/07/06	<p style="text-align: center;"><b>Amphenol Connex</b></p> <p style="text-align: center;">F CRIMP PLUG (FOR RG-58/U, 58C/U CABLE)</p>						
8 - 30mm ± 0.40mm	CHECKED								
30 - 120mm ± 0.50mm	ISSUED								
UNLESS OTHERWISE SPECIFIED TOLERANCES FOR INCHES ARE: .020 - .315 = ± 0.007" .315 - 1.180 = ± 0.015" 1.180 - 4.724 = ± 0.020"	SHEET 1 OF 1								
DESCRIPTION	MATERIAL	FINISH	QTY	DO NOT SCALE DRAWING	DAQ FILE	DWG. NO.	REV.	SIZE	SCALE
1 FERRULE	COPPER	NICKEL	1		C:/222/222197.DWG	222197.DWG	NC	A	N/A
2 CONTACT PIN	BRASS	GOLD	1						
3 INSULATOR	TEFLON	NATURAL	1						
4 BODY	BRASS	NICKEL	1						