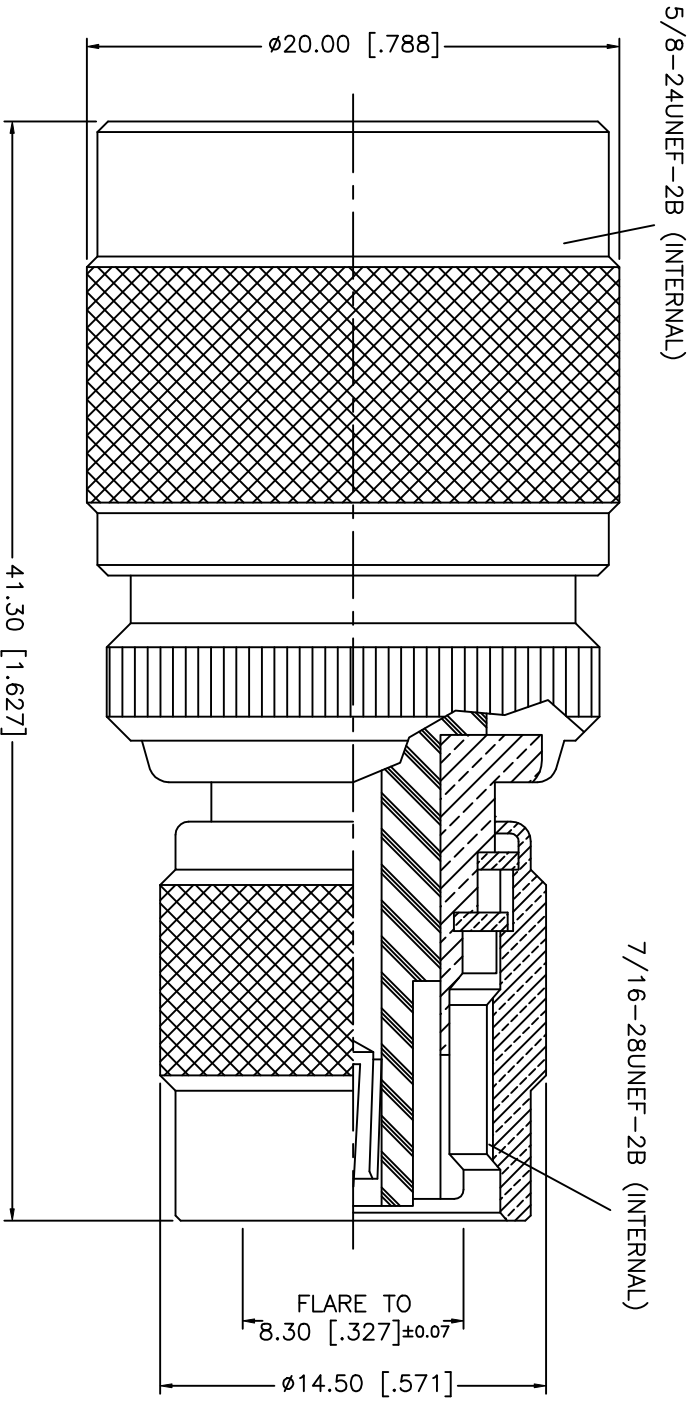


REV.	DATE	DESCRIPTION
NC	07/15/02	INITIAL RELEASE



8			
7			
6	WASHER	BRASS	NICKEL
5	GASKET	RUBBER	RED
4	RETAINER RING	BER. COPPER	NATURAL
3	CONTACT PIN	PHOS. BRONZE	GOLD
2	INSULATOR	TEFLON	NATURAL
1	SHELL/BODY	BRASS	NICKEL
	DESCRIPTION	MATERIAL	FINISH

UNLESS OTHERWISE SPECIFIED DIMENSIONS ARE IN MILLIMETERS  
 DIMENSIONS IN [ ] ARE IN INCHES FOR CUSTOMER REFERENCE ONLY  
 UNLESS OTHERWISE SPECIFIED TOLERANCES FOR INCHES ARE:  
 .XXX = ± 0.005"  
 .XX = ± 0.010"  
 .X = ± 0.020"  
 DO NOT SCALE DRAWING

APPROVALS		DATE
DRAWN	G.R.S.	07/15/02
CHECKED		
ISSUED		

**Amphenol - Connex**  
 CONNECTOR CORPORATION

TITLE  
 N PLUG TO TNC REVERSE POLARITY  
 PLUG ADAPTOR

SIZE	FSCM NO.	DWG. NO.	REV.
A	99001	242133RP.DWG	NC
SCALE	PART NO.	SHEET	
NA	242133RP	1 OF 1	