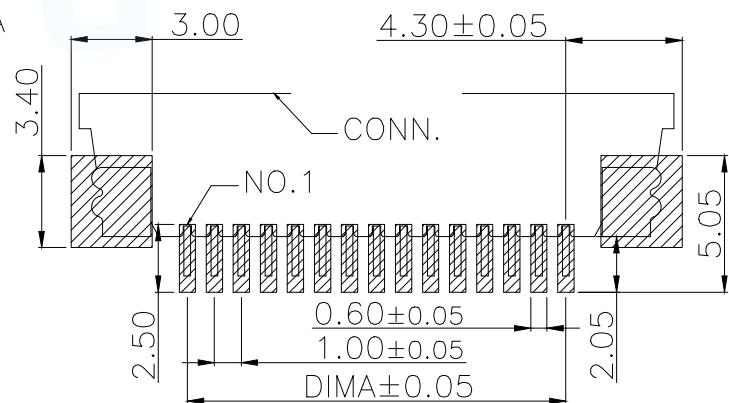
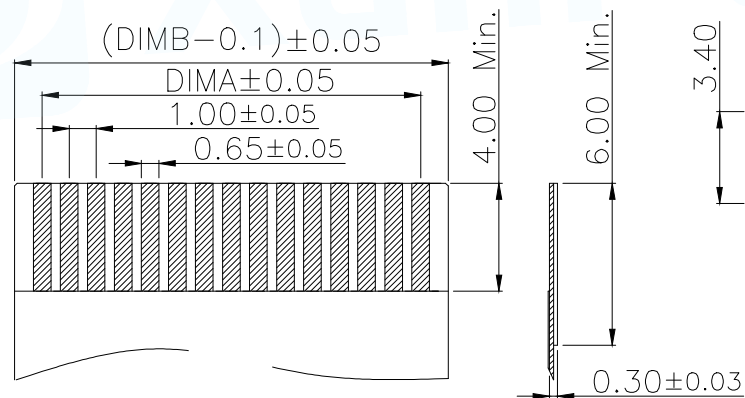
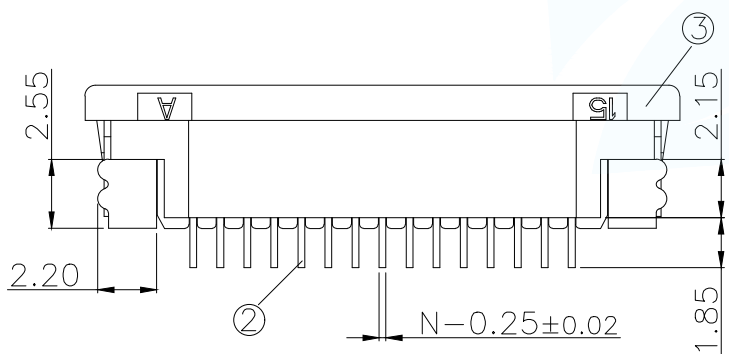


Part No	Pin	A	B	C
FPC-1.0AS-4PWCR-H25	4	3.00	5.03	11.10
FPC-1.0AS-5PWCR-H25	5	4.00	6.03	12.10
FPC-1.0AS-6PWCR-H25	6	5.00	7.03	13.10
FPC-1.0AS-7PWCR-H25	7	6.00	8.03	14.10
FPC-1.0AS-8PWCR-H25	8	7.00	9.03	15.10
FPC-1.0AS-9PWCR-H25	9	8.00	10.03	16.10
FPC-1.0AS-10PWCR-H25	10	9.00	11.03	17.10
FPC-1.0AS-11PWCR-H25	11	10.00	12.03	18.10
FPC-1.0AS-12PWCR-H25	12	11.00	13.03	19.10
.....
FPC-1.0AS-40PWCR-H25	40	(40-1)*1.0	(40+1)*1.0+0.03	(40+6)*1.0+0.10



序号	品名	材质
1	1.0嵌芯(H2.5)	LCP UL94V-0 本色
2	1.0上接端子(H2.5)	铜合金/表面镀锡
3	1.0卧式后盖(H2.5)	LCP UL94V-0 黑色
4	1.0卧式焊片(H2.5)	铜合金/表面镀锡

适用扁平线(Applicable Flat Cable)

技术指标:

1. 塑件表面应光洁、无毛边、无明显收缩、缺陷、裂纹等现象。
2. 温度范围: -25°C~+85°C.
3. 额定电压: 50V, AC/DC.
4. 接触电阻: ≤0.03Ω.
5. 绝缘电阻: ≥500MΩ

适用线路板(PCB LAYOUT)

MANUFACTURE DWG			东莞市讯普电子科技有限公司 DongGuan XunPu Electronics Co.,Ltd	
UNLESS OTHERWISE SPECIFIED TOLERANCES			TITLE: 1.0 Pitch H2.5 ZIF R/A Type Top CONN.	
DECIMALS:	ANGLES:		PAR	FPC-1.0AS-NPWCR-H25
.X:±0.30	.X':±5°		DWN	
.XX:±0.20	.XX':±2°	CHKD		
.XXX:±0.05	.XXX':±1°	APVD		
CUSTOMER COPY		SCALE 1:1	UNIT:MM	
		SIZE:A4	SHEET:1F1	REV:A