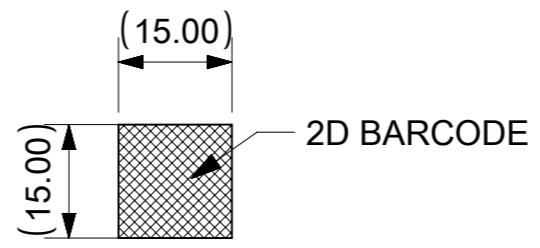
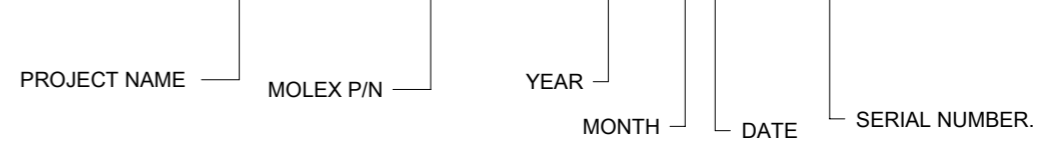


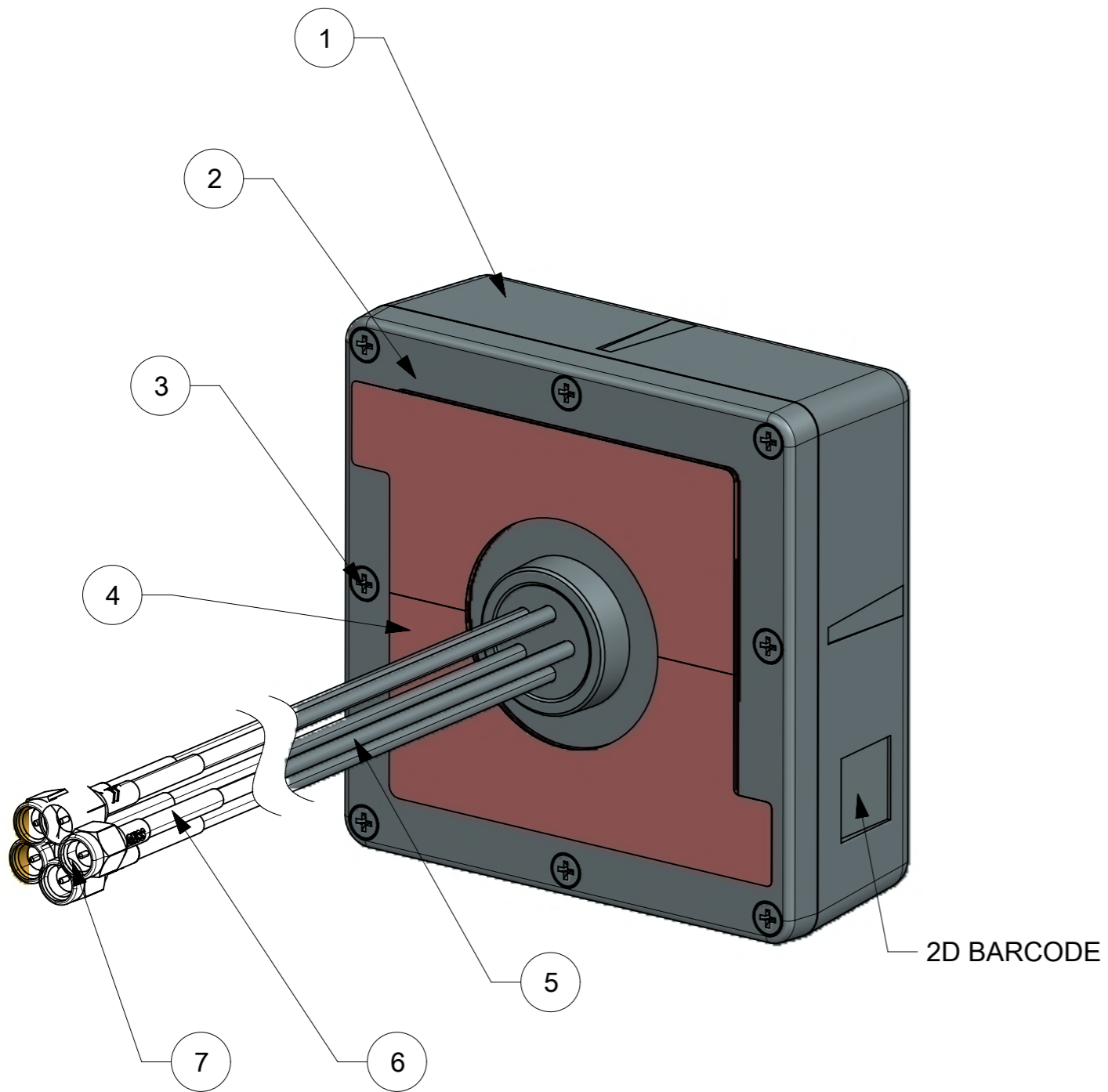
REV	DATE	DESCRIPTION
A	10/28/2022	INITIAL RELEASE



2D BARCODE CONTENT
 SIZE:15X15mm
 DEFINITION:5IN1 ANTENNA#2192640001#XXXXXXXXXX#XXXX



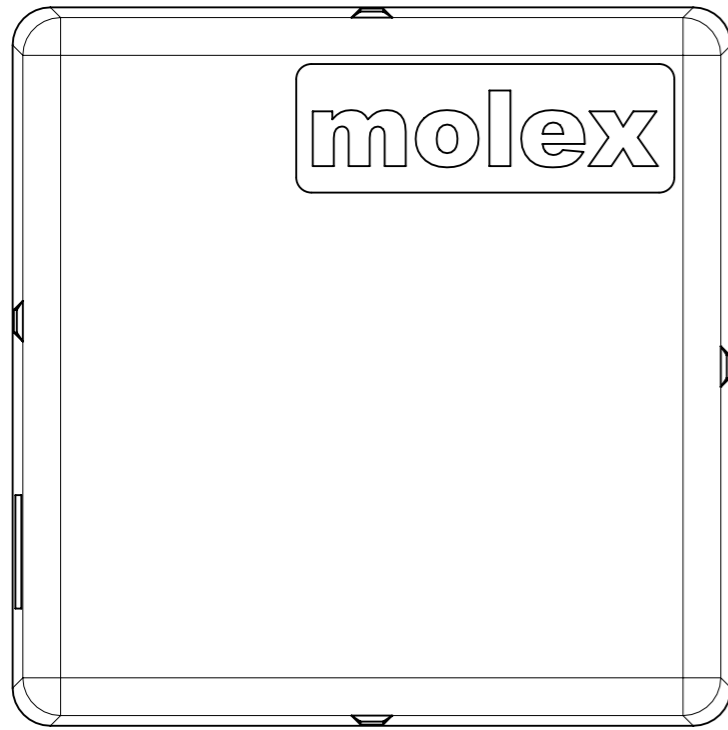
FOR EXAMPLE:5IN1 ANTENNA#2192640001#20220121#0001



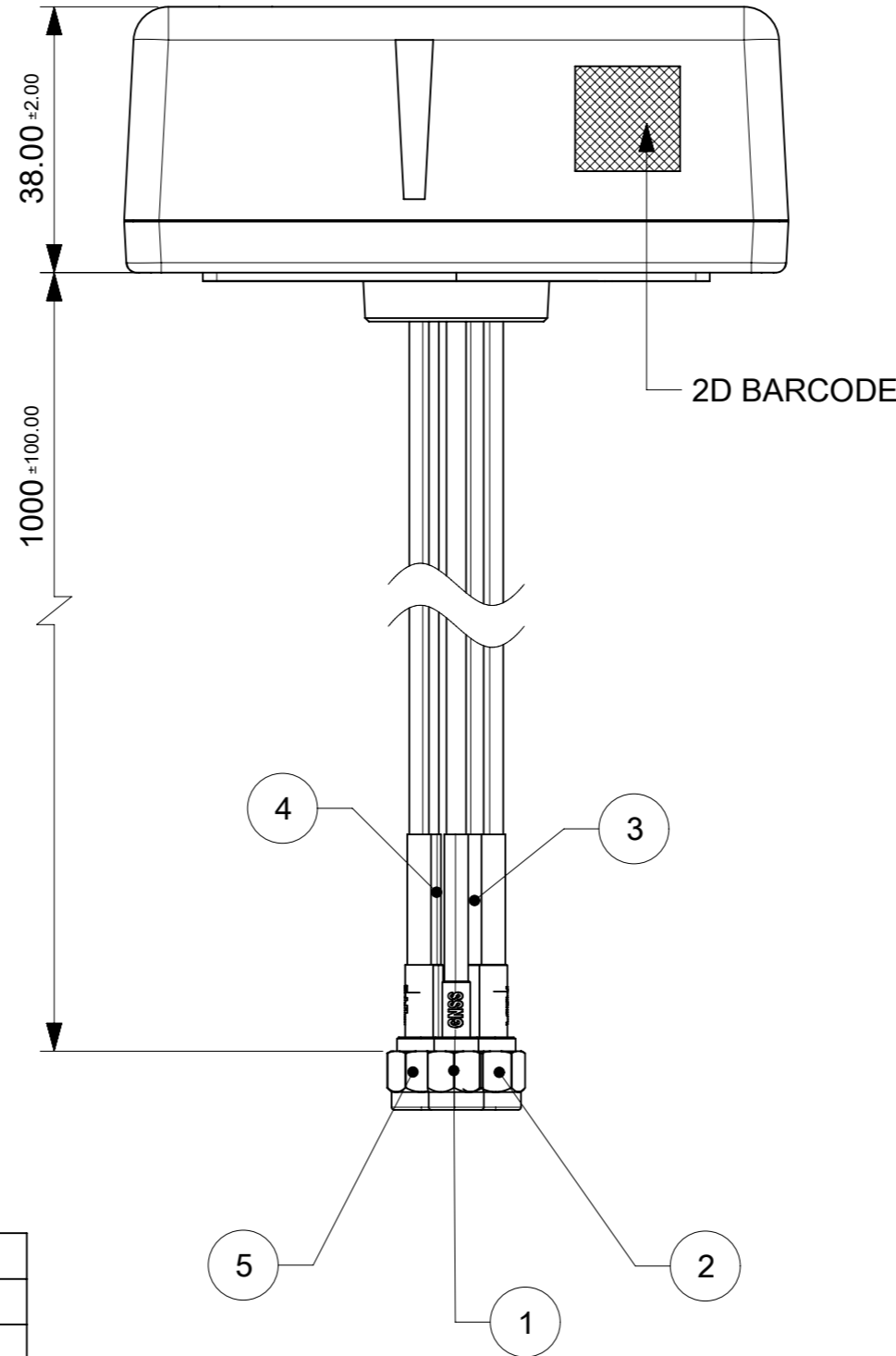
BOM TABLE			
ITEM	DESCRIPTION	REMARK	QTY
1	TOP HOUSING	PC/ABS BLACK	1 PCS
2	BOTTOM COVER	PC/ABS BLACK	1 PCS
3	SCREW	METAL	6 PCS
4	PSA	DOUBLE-SIDE ADHESIVE	2 PCS
5	CABLE	RG174 CABLE BLACK JACK	5 PCS
6	HEAT SHRINK TUBE	BLACK IN COLOR	5 PCS
7	CONNECTOR	SMA PLUG MALE GOLDEN PLATING	1 PCS

FUNCTIONAL SYMBOLS	THIS DRAWING CONTAINS INFORMATION THAT IS PROPRIETARY TO MOLEX ELECTRONIC TECHNOLOGIES, LLC AND SHOULD NOT BE USED WITHOUT WRITTEN PERMISSION	CURRENT REV DESC:		molex																																	
	<table border="1"> <tr> <th>DIMENSION UNITS</th> <th>SCALE</th> </tr> <tr> <td>mm</td> <td>1:1</td> </tr> </table>	DIMENSION UNITS	SCALE		mm	1:1	<table border="1"> <tr> <td colspan="3">GENERAL TOLERANCES (UNLESS SPECIFIED)</td> </tr> <tr> <td>ANGULAR TOL</td> <td>±</td> <td>2.0 °</td> </tr> <tr> <td>4 PLACES</td> <td>±</td> <td>0.3</td> </tr> <tr> <td>3 PLACES</td> <td>±</td> <td>0.5</td> </tr> <tr> <td>2 PLACES</td> <td>±</td> <td>1.0</td> </tr> <tr> <td>1 PLACE</td> <td>±</td> <td>2.0</td> </tr> <tr> <td>0 PLACES</td> <td>±</td> <td>3.0</td> </tr> </table>		GENERAL TOLERANCES (UNLESS SPECIFIED)			ANGULAR TOL	±	2.0 °	4 PLACES	±	0.3	3 PLACES	±	0.5	2 PLACES	±	1.0	1 PLACE	±	2.0	0 PLACES	±	3.0	<table border="1"> <tr> <td>EC NO: 726399</td> <td>2022/10/28</td> </tr> <tr> <td>DRWN: VINCEJ3</td> <td>2022/10/28</td> </tr> <tr> <td>CHK'D: HORACM1</td> <td>2022/10/28</td> </tr> <tr> <td>APPR: HORACM1</td> <td>2022/10/28</td> </tr> </table>		EC NO: 726399	2022/10/28	DRWN: VINCEJ3	2022/10/28	CHK'D: HORACM1	2022/10/28
DIMENSION UNITS	SCALE																																				
mm	1:1																																				
GENERAL TOLERANCES (UNLESS SPECIFIED)																																					
ANGULAR TOL	±	2.0 °																																			
4 PLACES	±	0.3																																			
3 PLACES	±	0.5																																			
2 PLACES	±	1.0																																			
1 PLACE	±	2.0																																			
0 PLACES	±	3.0																																			
EC NO: 726399	2022/10/28																																				
DRWN: VINCEJ3	2022/10/28																																				
CHK'D: HORACM1	2022/10/28																																				
APPR: HORACM1	2022/10/28																																				
DIVISIONAL SYMBOLS	<table border="1"> <tr> <td colspan="3">INITIAL REVISION:</td> </tr> <tr> <td>DRWN: VINCEJ3</td> <td>2022/10/28</td> <td>DOCUMENT NUMBER</td> </tr> <tr> <td>APPR: HORACM1</td> <td>2022/10/28</td> <td>2192640001</td> </tr> </table>	INITIAL REVISION:			DRWN: VINCEJ3	2022/10/28	DOCUMENT NUMBER	APPR: HORACM1	2022/10/28	2192640001	DOC TYPE	DOC PART	REVISION																								
INITIAL REVISION:																																					
DRWN: VINCEJ3	2022/10/28	DOCUMENT NUMBER																																			
APPR: HORACM1	2022/10/28	2192640001																																			
			PSD	000	A																																
DRAFT WHERE APPLICABLE MUST REMAIN WITHIN DIMENSIONS		THIRD ANGLE PROJECTION	DRAWING	SERIES	MATERIAL NUMBER	CUSTOMER	SHEET NUMBER																														
			A3-SIZE	219264	2192640001	GENERAL MARKET	1 OF 2																														

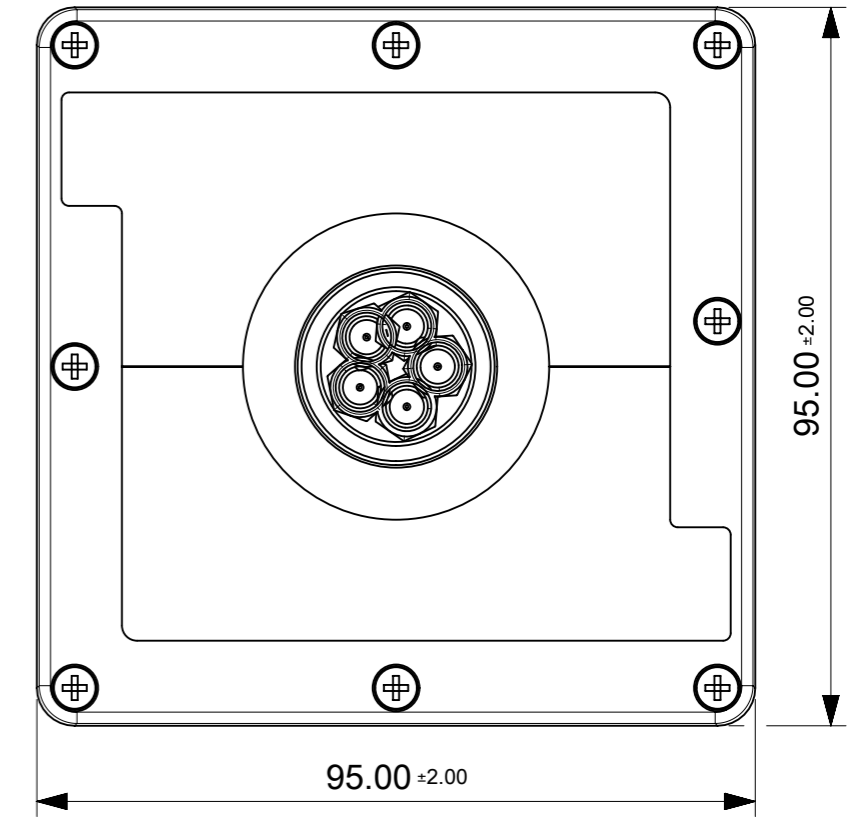
TOP SIDE



SIDE VIEW



BOTTOM SIDE



CABLE INFORMATION		
ITEM	REMARK	PRINT TEXT
1	Ø2.8±0.15	GNSS
2	Ø2.8±0.15	WIFI1
3	Ø2.8±0.15	LTE2
4	Ø2.8±0.15	LTE1
5	Ø2.8±0.15	WIFI2

FUNCTIONAL SYMBOLS	THIS DRAWING CONTAINS INFORMATION THAT IS PROPRIETARY TO MOLEX ELECTRONIC TECHNOLOGIES, LLC AND SHOULD NOT BE USED WITHOUT WRITTEN PERMISSION		CURRENT REV DESC:			molex		
	▽A = 0	mm						
DIVISIONAL SYMBOLS	GENERAL TOLERANCES (UNLESS SPECIFIED)		EC NO: 726399 DRWN: VINCEJ3 2022/10/28 CHK'D: HORACM1 2022/10/28 APPR: HORACM1 2022/10/28 INITIAL REVISION: DRWN: VINCEJ3 2022/10/28 APPR: HORACM1 2022/10/28			PRODUCT CUSTOMER DRAWING		
	▽E = 0	ANGULAR TOL ± 2.0 °						
	▽F = 0	4 PLACES ± 0.3				DOCUMENT NUMBER 2192640001 DOC TYPE PSD DOC PART 000 REVISION A		
		3 PLACES ± 0.5						
		2 PLACES ± 1.0						
	1 PLACE ± 2.0	MATERIAL NUMBER 2192640001 CUSTOMER GENERAL MARKET SHEET NUMBER 2 OF 2						
	0 PLACES ± 3.0							
DRAFT WHERE APPLICABLE MUST REMAIN WITHIN DIMENSIONS		THIRD ANGLE PROJECTION	DRAWING A3-SIZE	SERIES 219264				