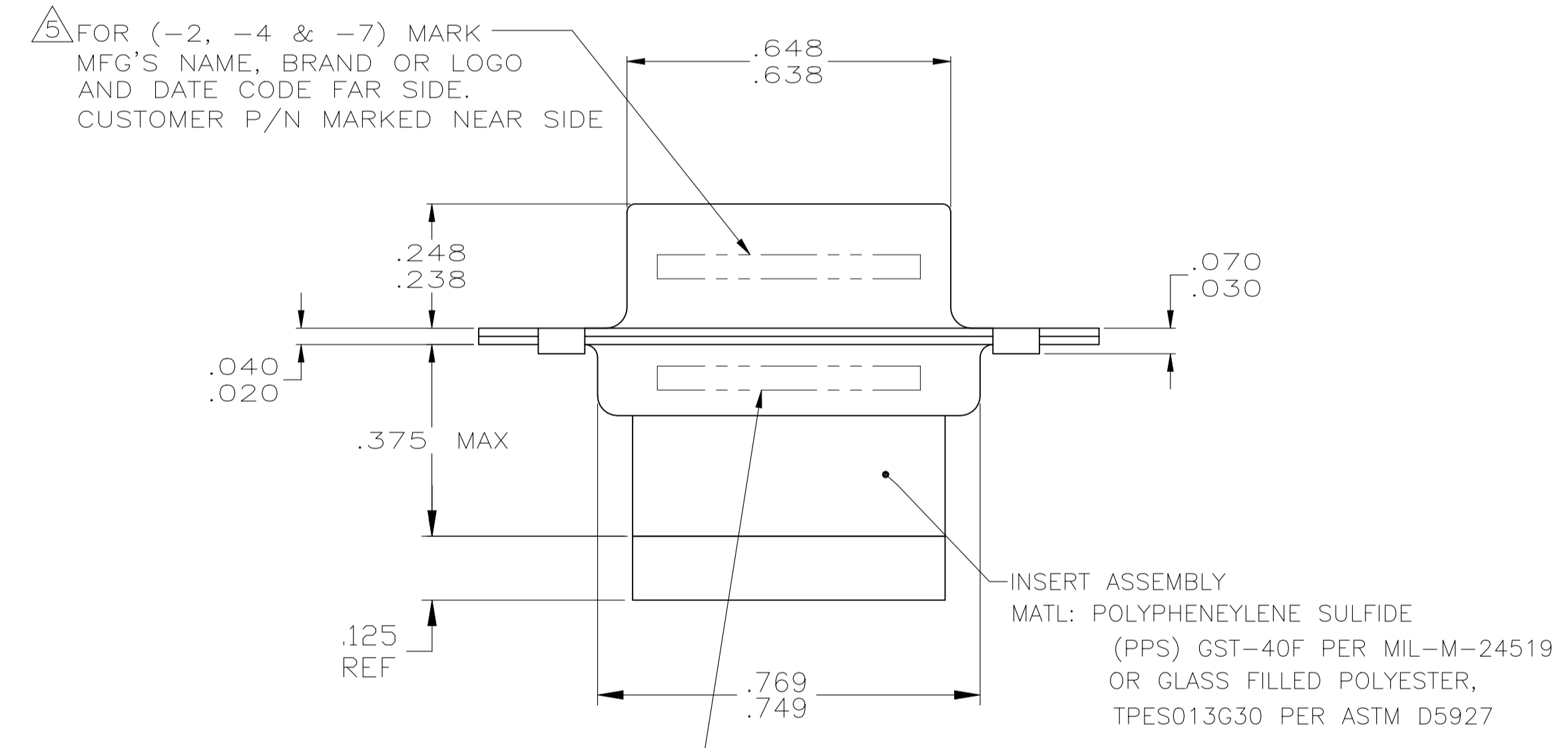
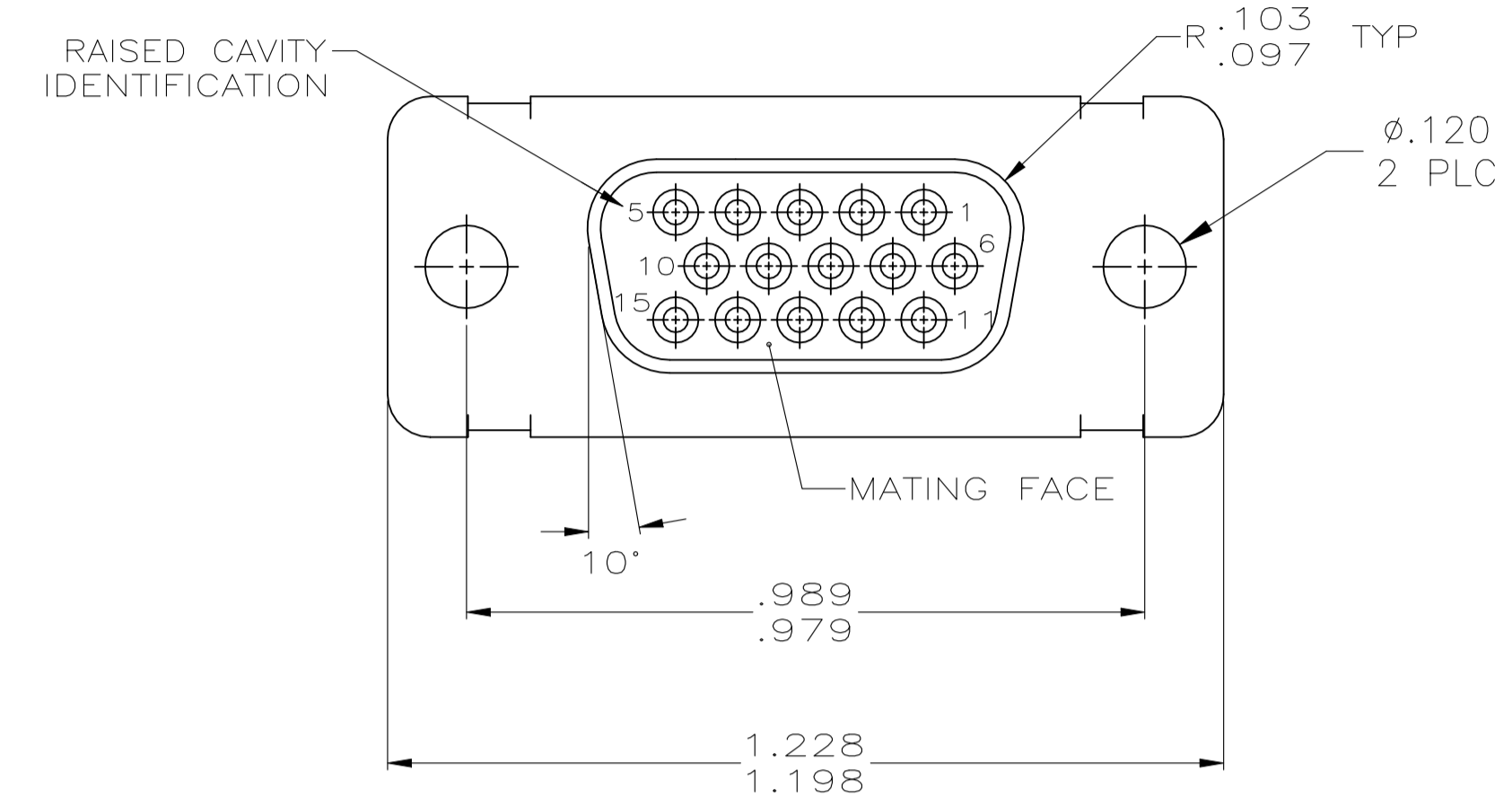
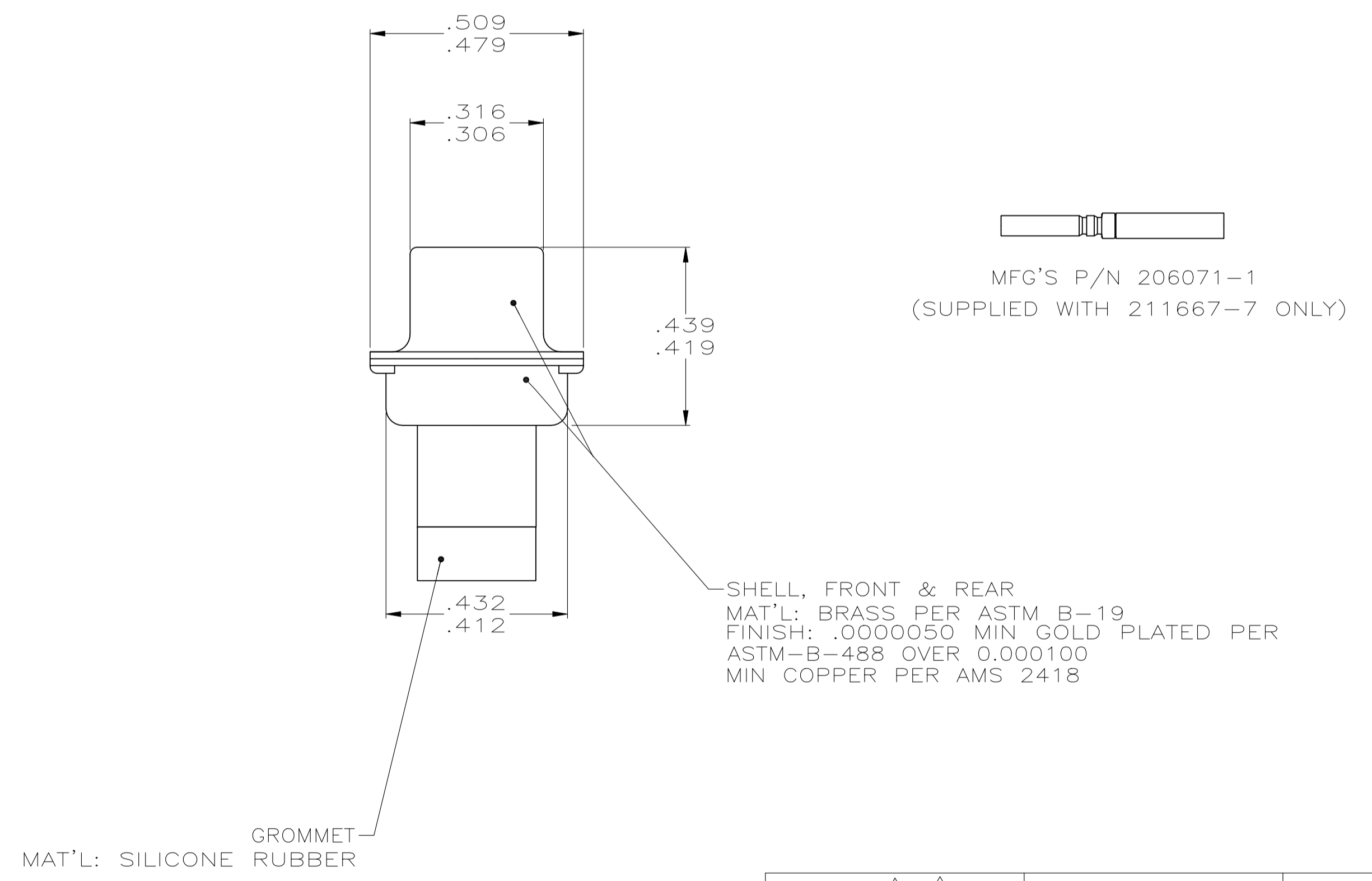


REVISIONS				
P	LTR	DESCRIPTION	DATE	APP'D
R		REVISED PER ECO 20-008593	23NOV2021	LN DM

- THIS RECEPTACLE WILL MATE WITH ANY PLUG CONNECTOR WITH THE SAME INSERT ARRANGEMENT AS DEFINED BY MS18273-2.
 - CONNECTOR SUPPLIED WITHOUT CONTACTS; SHOWN FOR ILLUSTRATION ONLY.
 - BE-CU RETENTION CLIPS ARE INCLUDED IN INSERT AND INSTALLED WITH TINES POINTING TOWARDS MATING FACE.
 - OVERALL DIMENSIONS DO NOT INCLUDE RAISED CAVITY IDENTIFICATION.
- 5 MARKING FAR SIDE REFERS TO WIDE SIDE OF KEYSTONE. NEAR SIDE REFERS TO NARROW SIDE OF KEYSTONE
 6 100% INSPECTION REQUIRED PER BOEING 1B01:
 A. VISUAL
 B. DWV
 C. IR
 7 CUSTOMER REQUIRES SINGLE LOT DATE CODE.
 8 SPECIAL REQUIREMENTS:
 A. TEST TWO CONNECTORS PER LOT FOR COMPLIANCE TO GROMMET PEEL STRENGTH REQUIREMENTS.
 B. TEST ALL CIRCUIT CAVITIES FOR MISALIGNMENT OR EXCESSIVE ADHESIVE.



7 CUSTOMER P/N MARKED ON FAR SIDE. MANUFACTURER'S NAME, BRAND OR LOGO AND DATE CODE MARKED ON NEAR SIDE. FOR(-2, -4 & -7) MARK MFG'S P/N FAR SIDE.



REMARKS	CUSTOMER PART NO.	MARKED MFG'S P/N	PART NO
5 7	1B01-025RHW	---	1-211667-1
CONTACTS INCLUDED	B010648-0002	211667-7	211667-7
---	---	211667-4	211667-4
7 8	2A065-019V	211667-2	211667-2
6	1B01-025	---	211667-1

THIS DRAWING IS A CONTROLLED DOCUMENT.

DIMENSIONS: INCHES	TOLERANCES UNLESS OTHERWISE SPECIFIED:	DIN C.C.THOMAS 3-9-07	APPROVED N.DEIBERT 3-9-07
0 PLC ± -	1 PLC ± -	2 PLC ± -	3 PLC ± .005
4 PLC ± -	ANGLES ± 1'	NAME: N.DEIBERT 3-9-07	
MATERIAL: SEE CALLOUTS	FINISH: SEE CALLOUTS	WEIGHT: 0.000000	SIZE: A1
CUSTOMER DRAWING		SCALE: 4:1	SHEET 1 OF 1

RECEPTACLE ASSY,AMPLIMITE,15 POSN., SIZE 1, SERIES 90,NON-MAGNETIC WITH GROMMET
 CUSTOMER PART NO. 211667-7