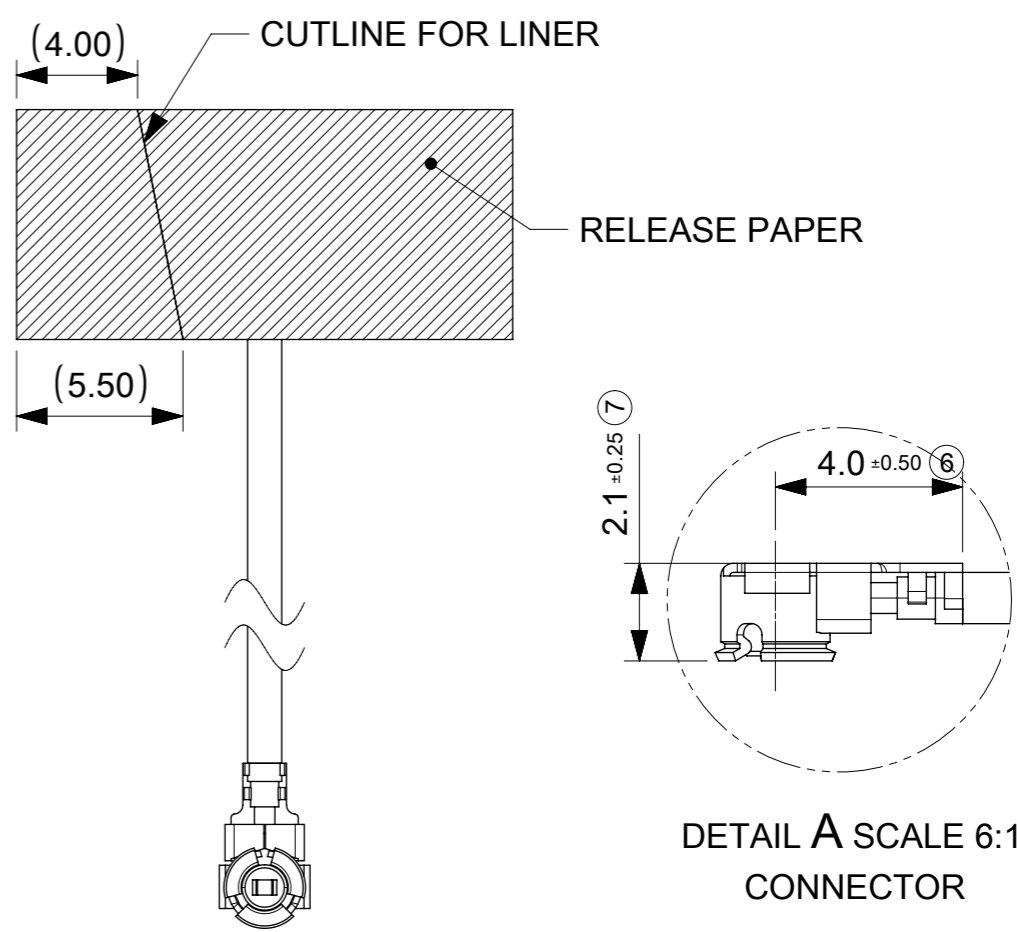
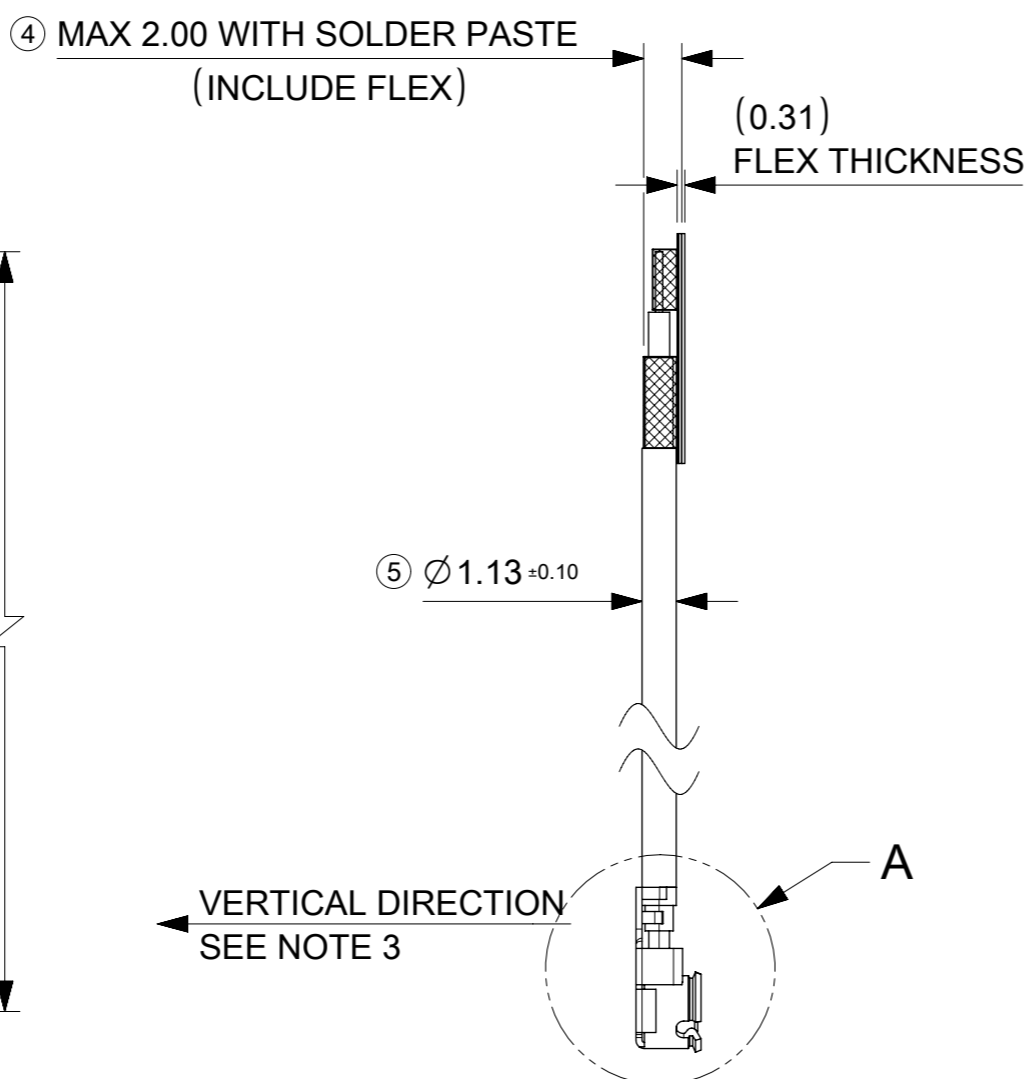
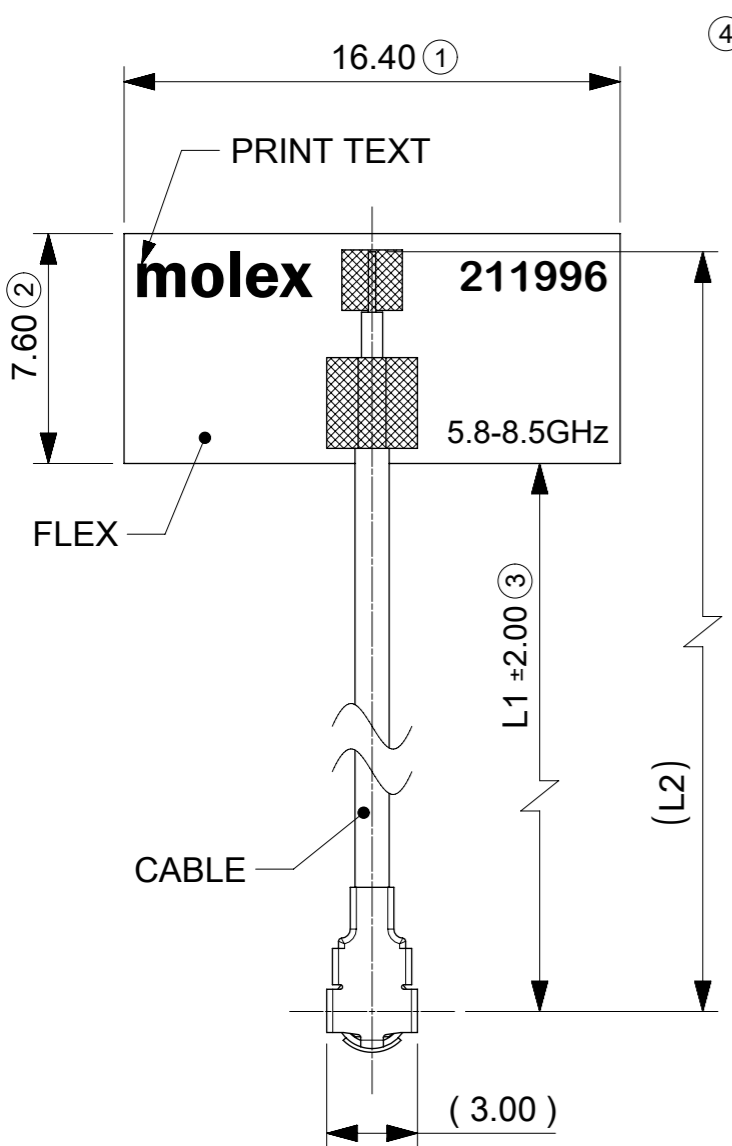


REV	DATE	CHANGE DESCRIPTION
A	2022/05/12	NEW RELEASE



- NOTES:
- MATERIAL:
 FLEX SOLDER MASK BLACK IN COLOR.
 PRINT TEXT WHITE IN COLOR.
 CABLE: Ø1.13MM, BLACK IN COLOR.
 CONNECTOR: MHF-1 PLUG AU TYPE (P/N: 20278-112R-13).
 ADHESIVE: TESA-61210 THICKNESS: 100UM.
 - THE CONNECTOR WILL BE PROTECTED WITH A CAP.
 - FOR PULL TEST, CAN NOT LIFT UP IN THE VERTICAL DIRECTION.
 - APPLICATION SPEC PLEASE REFER TO AS OF AS-2119960100.
 - PRODUCT SPEC PLEASE REFER TO PS OF PS-2119969100.

ITEM	MATERIAL NO.	"L1"-LENGTH	"L2"-LENGTH
1	2119969050	43 mm	50 mm
2	2119969100	93 mm	100 mm
3	2119969150	143 mm	150 mm
4	2119969200	193 mm	200 mm
5	2119969250	243 mm	250 mm
6	2119969300	293 mm	300 mm

THIS DRAWING CONTAINS INFORMATION THAT IS PROPRIETARY TO MOLEX ELECTRONIC TECHNOLOGIES, LLC AND SHOULD NOT BE USED WITHOUT WRITTEN PERMISSION

DIMENSION UNITS	SCALE	CURRENT REV DESC:		molex			
mm	2:1						
GENERAL TOLERANCES (UNLESS SPECIFIED)				5.8-8.5GHZ AUTOMOTIVE FLEX CABLE ANTENNE			
ANGULAR TOL	± 2.0°	EC NO: 706413		PRODUCT CUSTOMER DRAWING			
4 PLACES	±	DRWN: KCHENG06 2022/05/12		DOCUMENT NUMBER			
3 PLACES	± 0.2	CHK'D: HORACM1 2022/05/13		2119969100			
2 PLACES	± 0.25	APPR: HORACM1 2022/05/13		DOC TYPE DOC PART REVISION			
1 PLACE	± 0.3	INITIAL REVISION:		PSD 000 A			
0 PLACES	± 0.5	DRWN: KCHENG06 2022/05/12		MATERIAL NUMBER			
DRAFT WHERE APPLICABLE MUST REMAIN WITHIN DIMENSIONS		APPR: HORACM1 2022/05/13		2119969100			
THIRD ANGLE PROJECTION		DRAWING		SERIES		CUSTOMER	
A3-SIZE		211996		GENERAL MARKET		SHEET NUMBER	
						1 OF 1	