

10

9

8

7

6

5

4

3

2

1

F

F

E

E

D

D

C

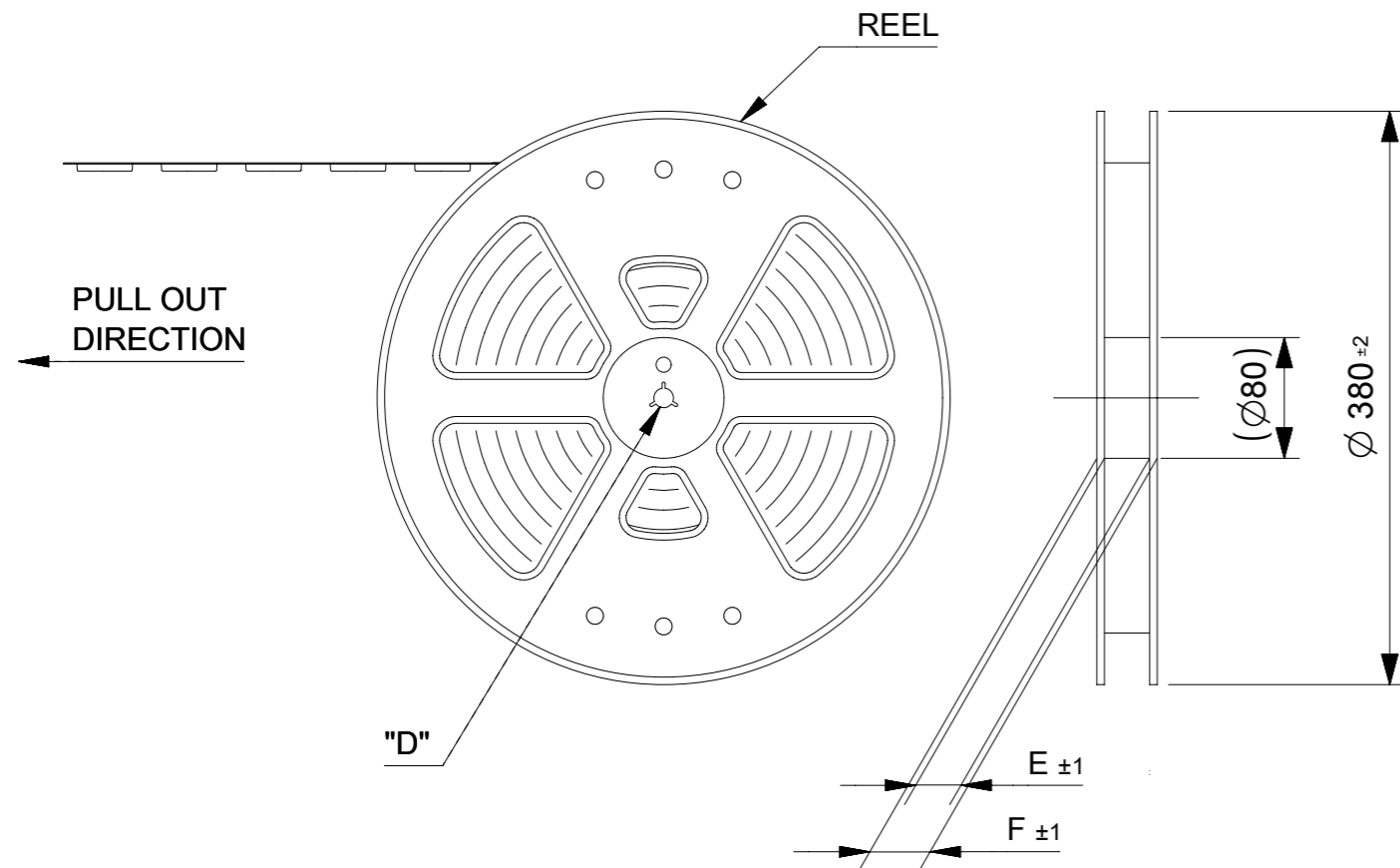
C

B

B

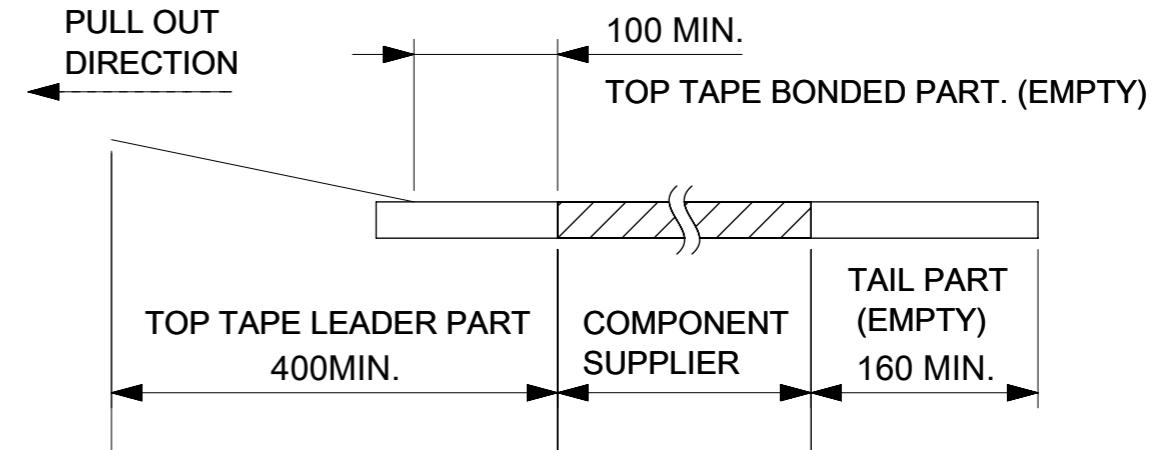
A

A

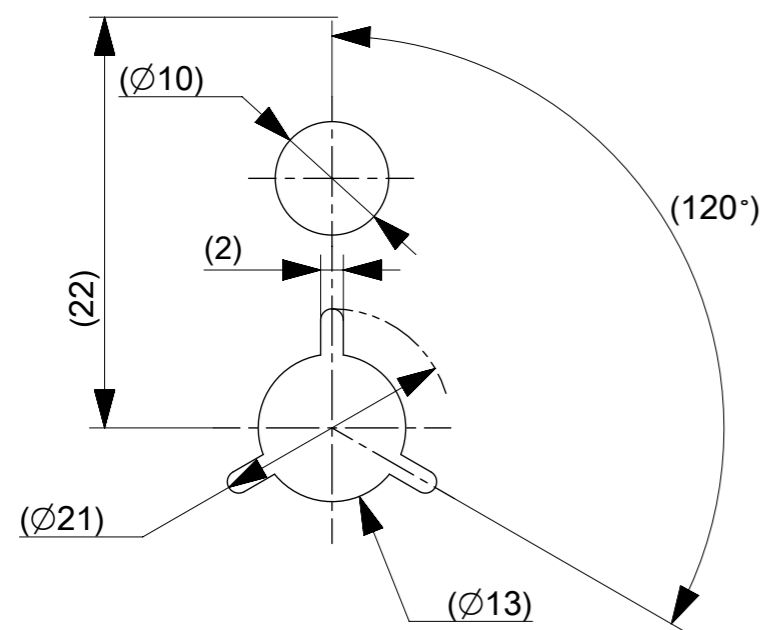


NOTES

- 1. RE DETAILED DIMENSION, SEE PRODUCT DRAWING.
- 2. NUMBER OF CONNECTORS : 20000PCS/REEL
- 3. LEAD TAPE LENGTH.



- 4. PEELING OFF FORCE OF THE TOP TAPE IS DEFINED BY IEC60286-3.
- 5. MATERIAL  
 CARRIER TAPE : POLYSTYRENE OR PET  
 TOP TAPE : PET , OTHER  
 REEL : POLYSTYRENE (PS) < RECYCLE MATERIAL CONTAINED >
- 6. ELV AND RoHS COMPLIANT
- △7 CONFORM TO 2033909200-SPK\_PS200 FOR PACKAGING SPECIFICATION.
- △8 CONFORM TO 2033909200-SPK\_PS201 FOR PACKAGING SPECIFICATION.



DETAIL "D"

THIS DRAWING CONTAINS INFORMATION THAT IS PROPRIETARY TO MOLEX ELECTRONIC TECHNOLOGIES, LLC AND SHOULD NOT BE USED WITHOUT WRITTEN PERMISSION													
DIMENSION UNITS		SCALE		CURRENT REV DESC:				<b>molex</b>					
mm		1:1											
GENERAL TOLERANCES (UNLESS SPECIFIED)				EC NO: 725424 DRWN: AISHII 2022/10/20 CHK'D: YKOBAYASHI02 2022/10/20 APPR: KSASAKI 2022/10/21 INITIAL REVISION: DRWN: DGONDO 2020/06/25 APPR: YKOBAYASHI02 2020/07/07				0.175BB H=0.6 QUADROW PLUG EMBS PACKAGE					
ANGULAR TOL ± 3.0 °								PRODUCT CUSTOMER DRAWING					
4 PLACES ± 0.03		3 PLACES ± 0.03						DOCUMENT NUMBER		DOC TYPE		DOC PART	
2 PLACES ± 0.05		1 PLACE ± 0.1						2033900000-SD		PSD		000	
1 PLACE ± 0.1		0 PLACES ± 0.2						SERIES		CUSTOMER		REVISION	
DRAFT WHERE APPLICABLE MUST REMAIN WITHIN DIMENSIONS		THIRD ANGLE PROJECTION						DRAWING		MATERIAL NUMBER		SHEET NUMBER	
		A3-SIZE		203390		SEE CHART		GENERAL					
								1 OF 2					

9

8

7

6

5

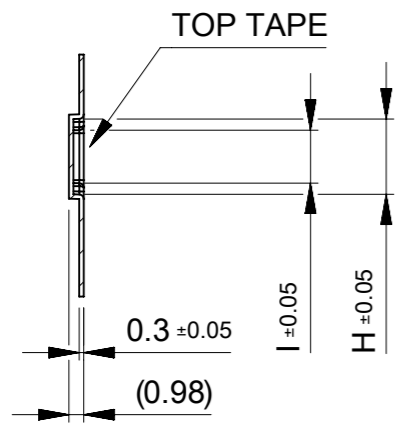
4

3

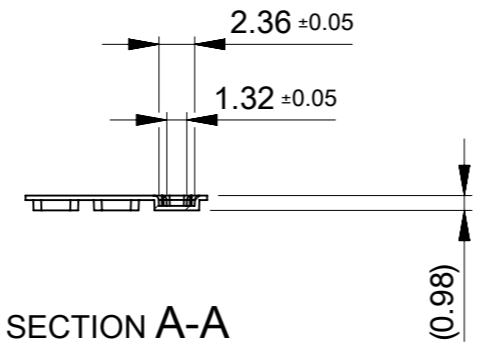
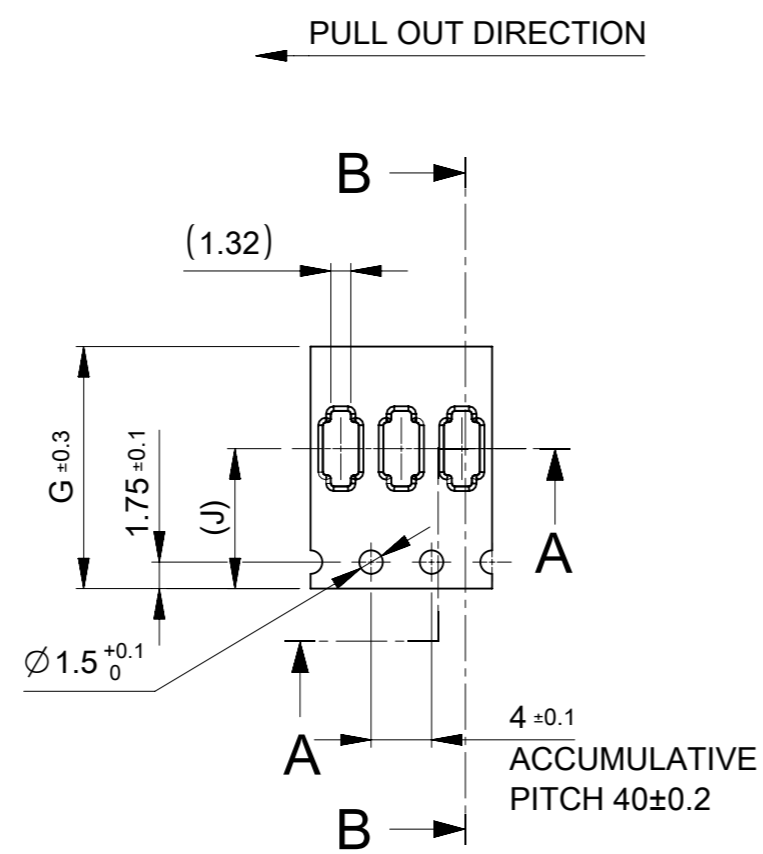
2

1

FORMAT: master-b-prod-A3  
REVISION: 11  
DATE: 2021/05/01



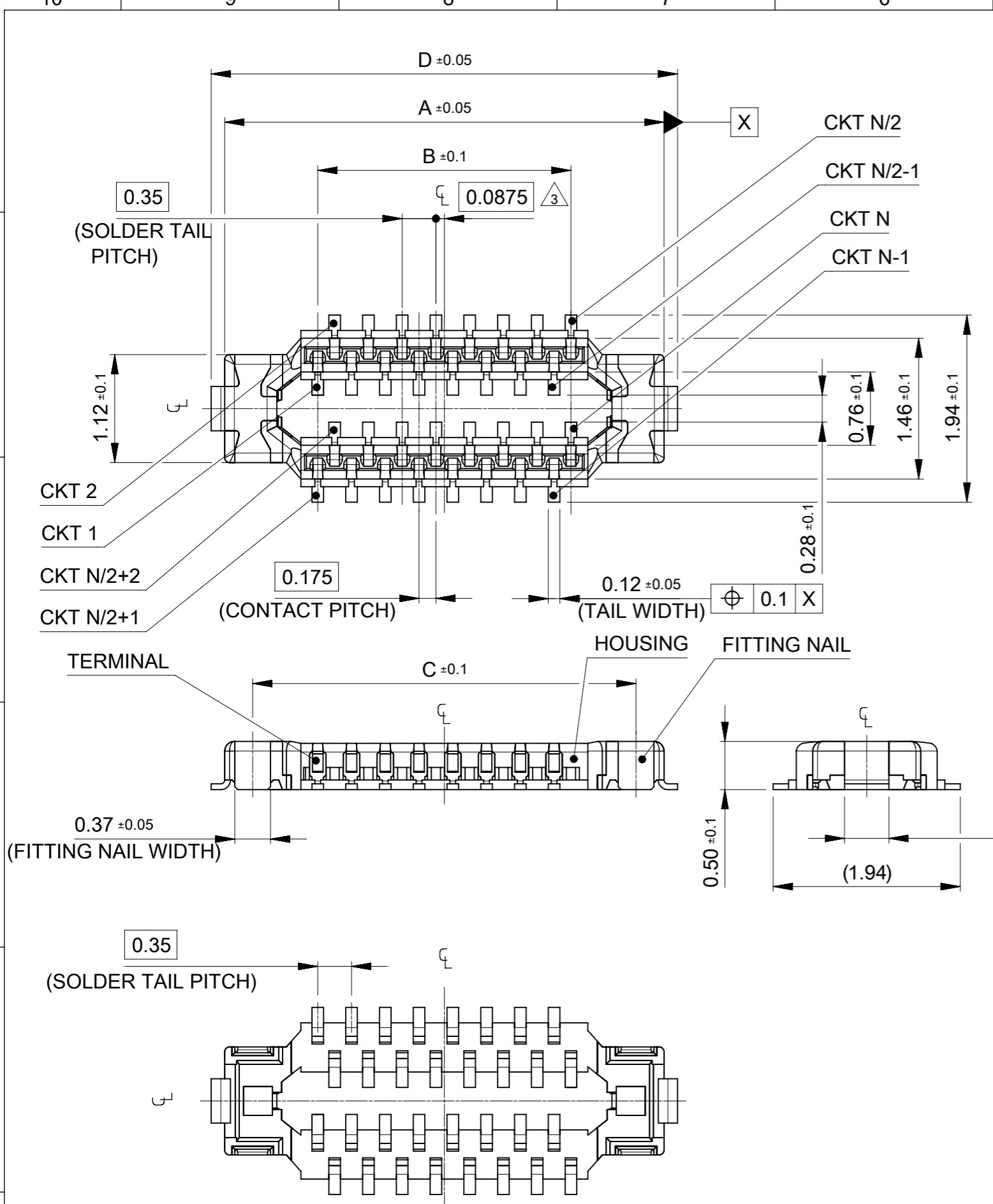
SECTION B-B



SECTION A-A

7.5	3.85	5.325	16	21.4	17.4	2033900363	2033900361	36
7.5	3.5	4.975	16	21.4	17.4	2033900323	2033900321	32
J	I	H	G	F	E	ORDER NO.	ORDER NO.	CIRCUIT
						PACKAGING SPEC: $\triangle_8$	PACKAGING SPEC: $\triangle_7$	
CONNECTOR SERIES No. 2033900***								

THIS DRAWING CONTAINS INFORMATION THAT IS PROPRIETARY TO MOLEX ELECTRONIC TECHNOLOGIES, LLC AND SHOULD NOT BE USED WITHOUT WRITTEN PERMISSION		CURRENT REV DESC:		<b>molex</b>		
DIMENSION UNITS	SCALE	EC NO: 725424				
mm	2:1	DRWN: AISHII 2022/10/20		PRODUCT CUSTOMER DRAWING		
GENERAL TOLERANCES (UNLESS SPECIFIED)		CHK'D: YKOBAYASHI02 2022/10/20		DOCUMENT NUMBER		
ANGULAR TOL ± 3.0 °		APPR: KSASAKI 2022/10/21		2033900000-SD		DOC TYPE
4 PLACES	± 0.03	INITIAL REVISION:		PSD	DOC PART	REVISION
3 PLACES	± 0.03	DRWN: DGONDO 2020/06/25		000		E
2 PLACES	± 0.05	APPR: YKOBAYASHI02 2020/07/07		SHEET NUMBER		
1 PLACE	± 0.1	DRAFT WHERE APPLICABLE MUST REMAIN WITHIN DIMENSIONS		2 OF 2		
0 PLACES	± 0.2	THIRD ANGLE PROJECTION	DRAWING	SERIES	MATERIAL NUMBER	CUSTOMER
			A3-SIZE	203390	SEE CHART	GENERAL



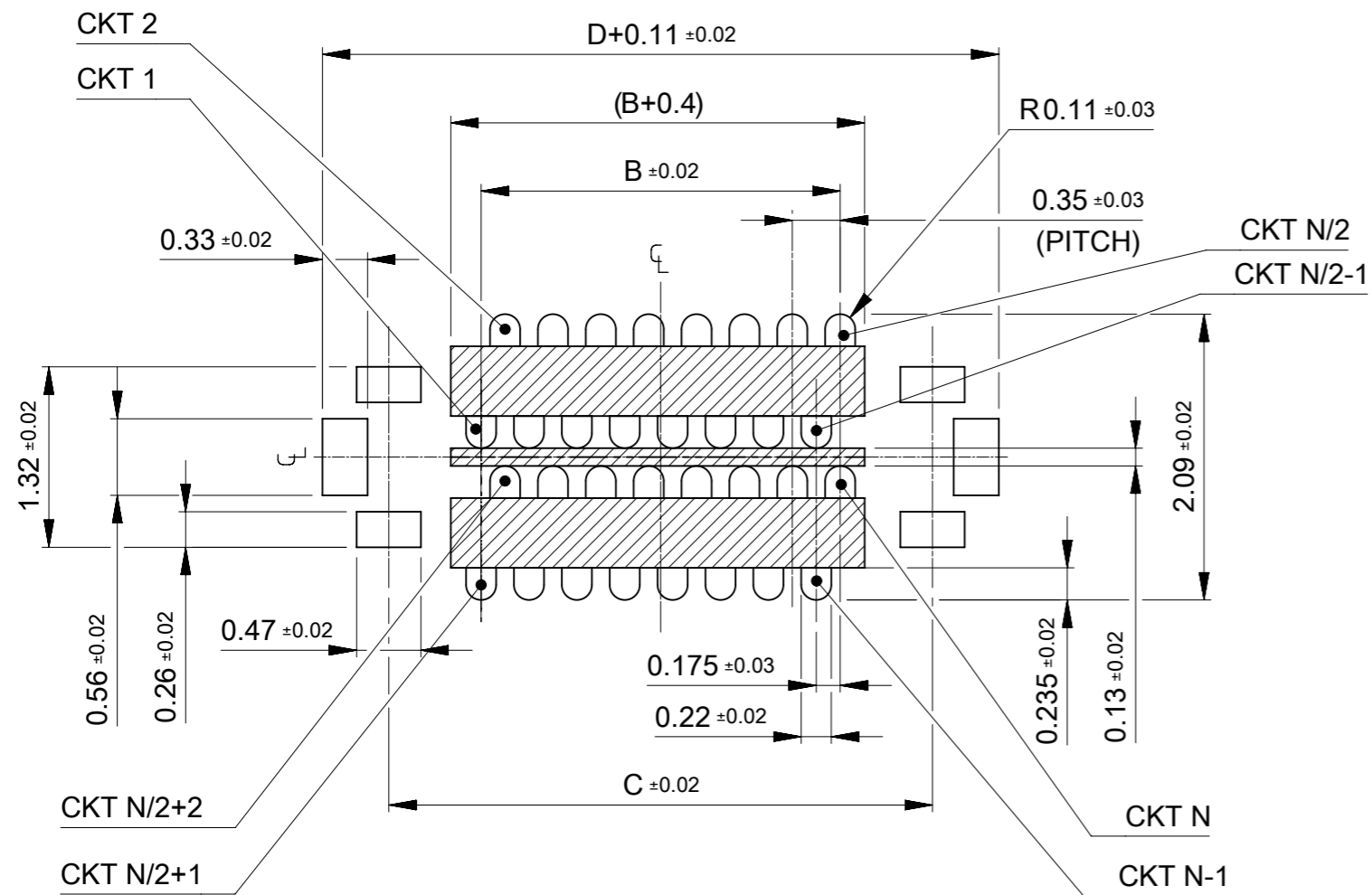
**NOTES**

- MATERIAL**  
 HOUSING : LIQUID CRYSTAL POLYMER UL94V-0(COLOR : BLACK)  
 TERMINAL : COPPER ALLOY  
 FITTING NAIL : COPPER ALLOY
  - PLATING**  
**TERMINAL**  
 CONTACT AREA : GOLD 0.1  $\mu\text{m}$  MIN.  
 TAIL AREA : GOLD 0.05 $\mu\text{m}$  MIN.  
 UNDER PLATING : NICKEL 1.0 $\mu\text{m}$  MIN.  
 \*DIVIDE INTO PARTS THE GOLD PLATING OF CONTACT AND THE TAIL PART BY THE NICKEL PLATING.  
 \*EITHER GOLD OR NICKEL PLATING IS ACCEPTABLE IN THE AREA WHICH IS NOT SPECIFIED AS CONTACT TAIL OR NICKEL BARRIER.
  - FITTING NAIL**  
 CONTACT AREA : GOLD 0.1  $\mu\text{m}$  MIN.  
 TAIL AREA : GOLD 0.05 $\mu\text{m}$  MIN.  
 UNDER PLATING : NICKEL 1.0 $\mu\text{m}$  MIN.  
 \*DIVIDE INTO PARTS THE GOLD PLATING OF CONTACT AND THE TAIL PART BY THE NICKEL PLATING.  
 \*EITHER GOLD OR NICKEL PLATING IS ACCEPTABLE IN THE AREA WHICH IS NOT SPECIFIED AS CONTACT TAIL OR NICKEL BARRIER.
- $\triangle 3$  APPLY FOR (CIRCUIT/4)=EVEN
- MATE WITH : 2033890\*\*1, 2033890\*\*3
  - TAIL AND FITTING NAIL COPLANARITY TO BE 0.08mm MAXIMUM.
  - CONFORM TO 2033909200-SPK\_PS200 FOR PACKAGING SPECIFICATION.
  - CONFORM TO 2033909200-SPK\_PS201 FOR PACKAGING SPECIFICATION.

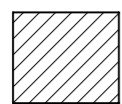
5.185	4.325	2.975	4.905	2033900363	2033900361	36
4.835	3.975	2.625	4.555	2033900323	2033900321	32
D	C	B	A	EMBOSSED TAPE PACKAGE	EMBOSSED TAPE PACKAGE	CIRCUIT
				ORDER No.	ORDER No.	
				PACKAGING SPEC: $\triangle 7$	PACKAGING SPEC: $\triangle 6$	

CONNECTOR SERIES No. : 203390\*\*\*1

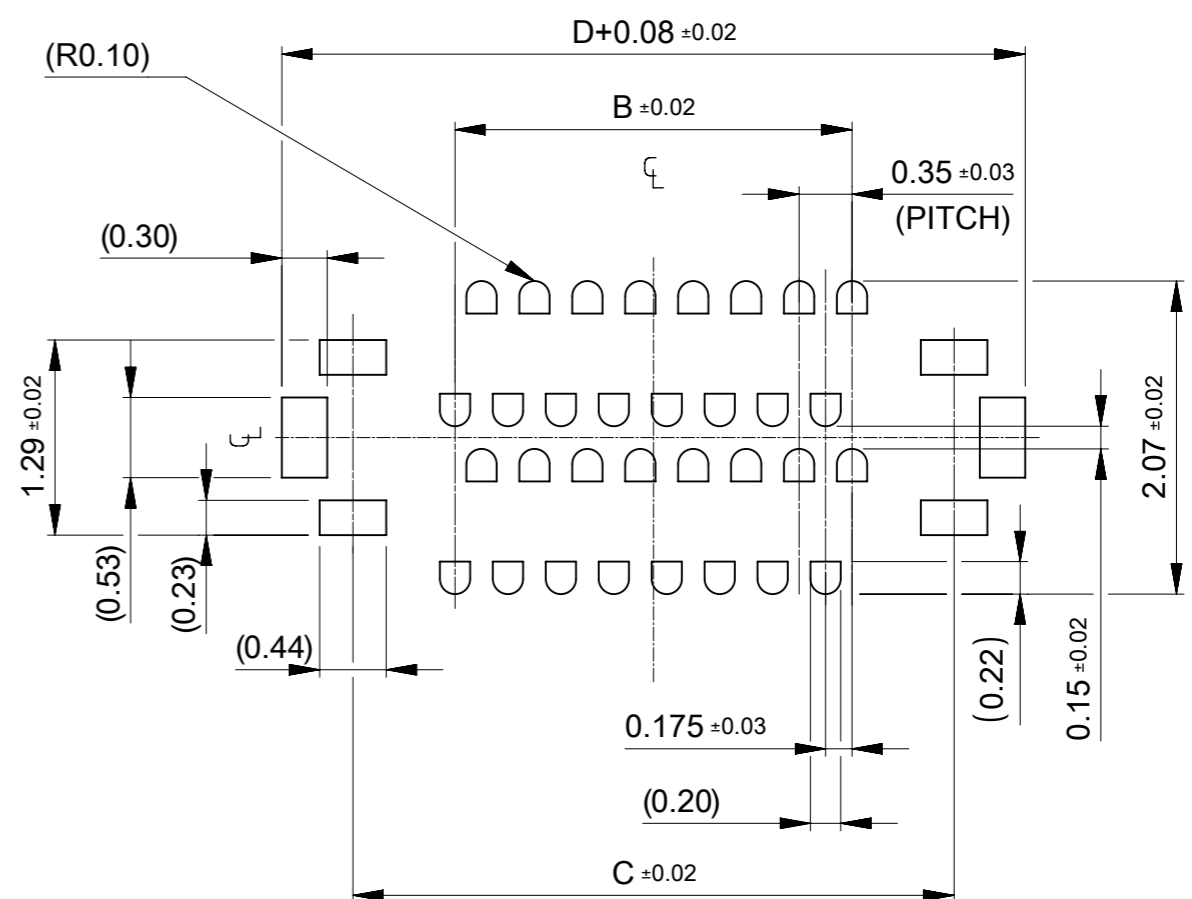
THIS DRAWING CONTAINS INFORMATION THAT IS PROPRIETARY TO MOLEX ELECTRONIC TECHNOLOGIES, LLC AND SHOULD NOT BE USED WITHOUT WRITTEN PERMISSION		CURRENT REV DESC:		<b>molex</b>		
DIMENSION UNITS	SCALE	EC NO: 725424				
mm	20:1	DRWN: AISHII 2022/10/20		PRODUCT CUSTOMER DRAWING		
GENERAL TOLERANCES (UNLESS SPECIFIED)		CHK'D: YKOBAYASHI02 2022/10/20		DOCUMENT NUMBER		
ANGULAR TOL	$\pm 3.0^\circ$	APPR: KSASAKI 2022/10/21		DOC TYPE		
4 PLACES	$\pm 0.03$	INITIAL REVISION:		DOC PART		
3 PLACES	$\pm 0.03$	DRWN: DGONDO 2020/06/25		REVISION		
2 PLACES	$\pm 0.05$	APPR: YKOBAYASHI02 2020/07/07		2033901000-SD		
1 PLACE	$\pm 0.1$	THIRD ANGLE PROJECTION		PSD		
0 PLACES	$\pm 0.2$	DRAWING		000		
DRAFT WHERE APPLICABLE MUST REMAIN WITHIN DIMENSIONS		SERIES		E		
		A3-SIZE		1 OF 2		
		203390		SEE CHART		
		MATERIAL NUMBER		GENERAL		
		CUSTOMER				
		SHEET NUMBER				



RECOMMENDED P.W.BOARD PATTERN LAYOUT (REFERENCE)  
(SM OPENING DIMENSION)

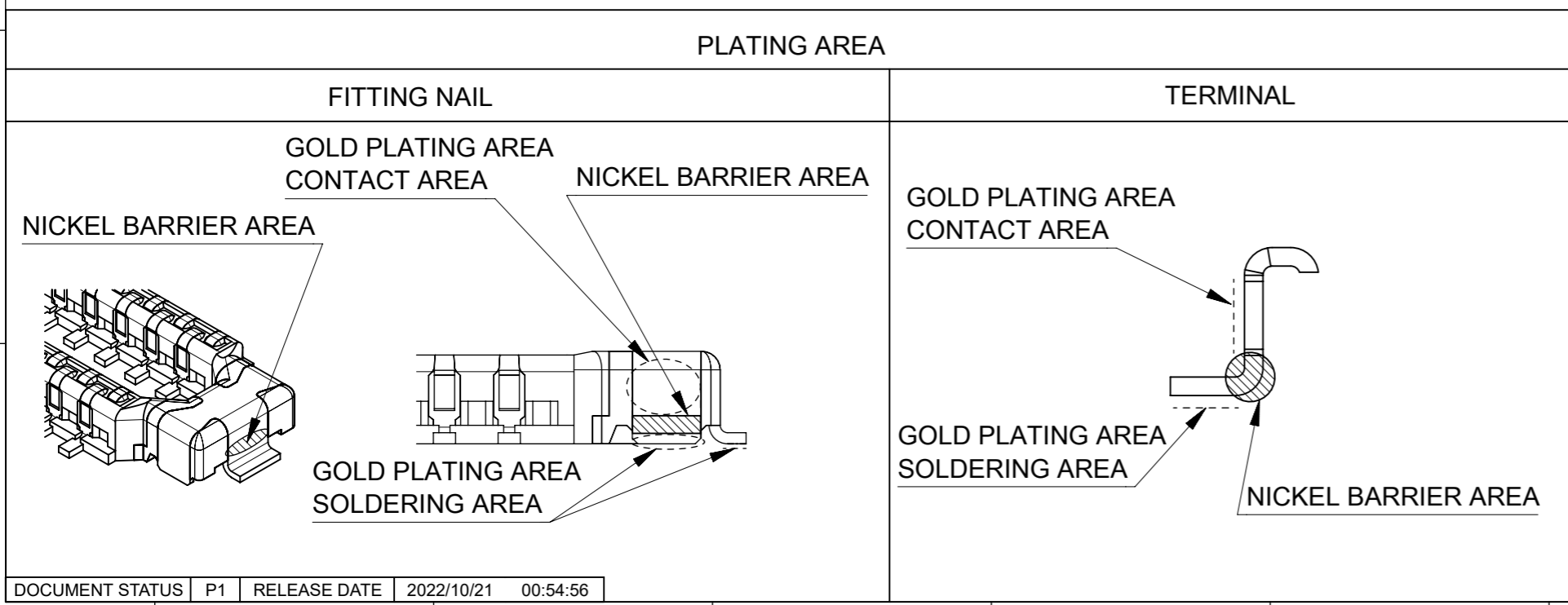


SOLDERING PROHIBITED AREA  
WHEN WIRING IS LOCATED,  
THE WIRING MUST BE MASKED BY COVER LAY OR RESIST FILM.



RECOMMENDED METAL MASK LAYOUT (REFERENCE)

RECOMMENDED THICKNESS OF METAL MASK :  $t=0.08\text{mm}$   
RECOMMENDED OPEN APERTURE RATIO OF METAL MASK : 80%



THIS DRAWING CONTAINS INFORMATION THAT IS PROPRIETARY TO MOLEX ELECTRONIC TECHNOLOGIES, LLC AND SHOULD NOT BE USED WITHOUT WRITTEN PERMISSION		CURRENT REV DESC:		<b>molex</b>	
DIMENSION UNITS	SCALE				
mm	20:1			0.175 BB H=0.6 QUAD ROW PLUG ASSY	
GENERAL TOLERANCES (UNLESS SPECIFIED)				PRODUCT CUSTOMER DRAWING	
ANGULAR TOL	± 3.0 °			DOCUMENT NUMBER	
4 PLACES	± 0.03	EC NO: 725424	2022/10/20	2033901000-SD	
3 PLACES	± 0.03	DRWN: AISHII	2022/10/20	DOC TYPE	DOC PART
2 PLACES	± 0.05	CHK'D: YKOBAYASHI02	2022/10/21	PSD	000
1 PLACE	± 0.1	APPR: KSASAKI	2022/10/21	REVISION	E
0 PLACES	± 0.2	INITIAL REVISION:		SHEET NUMBER	
DRAFT WHERE APPLICABLE MUST REMAIN WITHIN DIMENSIONS		DRWN: DGONDO	2020/06/25	MATERIAL NUMBER	
THIRD ANGLE PROJECTION		APPR: YKOBAYASHI02	2020/07/07	CUSTOMER	
DRAWING		SERIES		SEE CHART	
A3-SIZE		203390		GENERAL	