

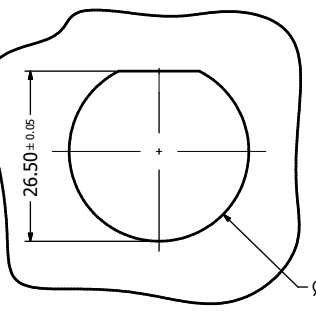
**Notes:**

1. Electrical Specifications:
  - Meets EIA/TIA-568-B.2 Cat.5e Specification
  - Contact Resistance: 20mOhm max.
  - Insulation Resistance: 500MOhm min. @ 100 VDC
  - Current Rating: 1.2A max. at 25° C
  - Working Voltage: 100 VDC
  - DWV: 1000 VDC/60s Contact to Contact, 1500 VDC/60s Contact to Metal Shell
  - Operating Temperature: -40° C to +85° C

2. Material and Finish:

- Ⓐ - Receptacle Housing, Zinc Die-Cast, Nickel Plated
  - Metal HEX Cover, Panel Nut: Brass, Nickel Plated
  - Ball Chain: Copper Alloy, Nickel Plated
  - Panel Gasket: Silicon, Color: White
- Ⓑ - Cover Gasket: Silicon, Color: White
  - RJ45 Jack Metal Shell: Copper Alloy, Nickel Plated
  - RJ45 Jack Plastic Housing: Glass filled PBT UL94 V-0, Color: Black
  - RJ45 Jack Contacts: Phosphor Bronze, Finish: 50u" Gold min. over Nickel

3. Connector can be front or rear mounted to a maximum panel thickness of 3.2mm.
4. IP67 rated when fully mated with appropriate mating connector



Recommended Panel Cutout Ⓒ

Description	Part Number
Metal Version Receptacle + HEX 32 Cover with Shielded RJ45 Inline Coupler	17-101884
Metal Version Receptacle + HEX 32 Cover with Unshielded RJ45 Inline Coupler	17-101894

RoHS compliant

THIS DRAWING MAY NOT BE COPIED OR REPRODUCED IN ANY MANNER ON TO A THIRD PARTY WITHOUT WRITTEN PERMISSION. OWNERSHIP AND COPYRIGHT OF CONEC CORPORATION.	Customer:				Tolerance Unless otherwise specified			Scale: 1.2:1	Dim. in mm
	Name	Title	Approval Date		0 PLC ±0.50	1 PLC ±0.38		Autodesk Inventor	Material: See Notes
	1 x f	A21-04.26	26.10.2021	Bub	2010	Date	Name	Title: Receptacle + HEX 32 Cover Assembly Kit with Cat. 5e RJ45 Inline Coupler (Metal Version)	
	e	1 x e	Feb/06/2014	Vincent Ke	Draw.	Feb. 24	Vincent Ke		
	d	1 x d	Jan/12/2012	Vincent Ke	Appd.	Feb. 24	J. Chaudry		
c	2 x c	Mar/08/2011	Vincent Ke	Norm.			Drawing No.: 17K1A162	DIN A3	
b	1 x b	Sep/28/2010	Vincent Ke				Part No.: SEE P/N TABLE	Sheet 1/1	
a	original								
Rev.	Changes	Date	Name						