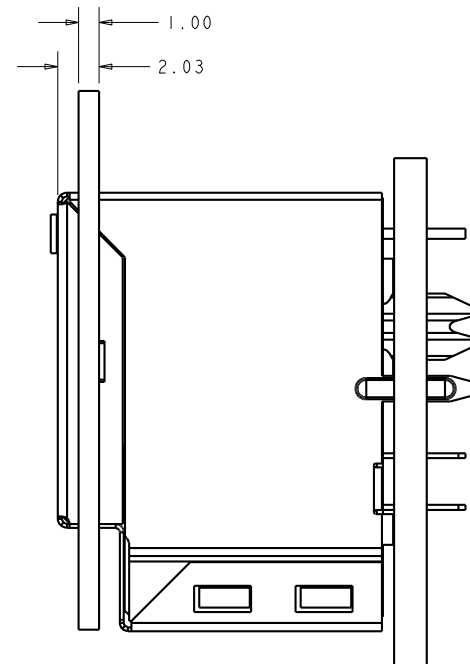
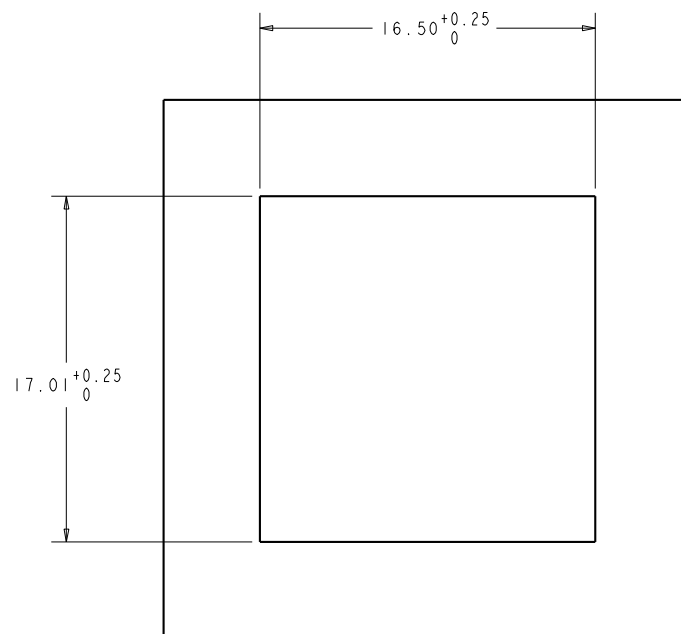
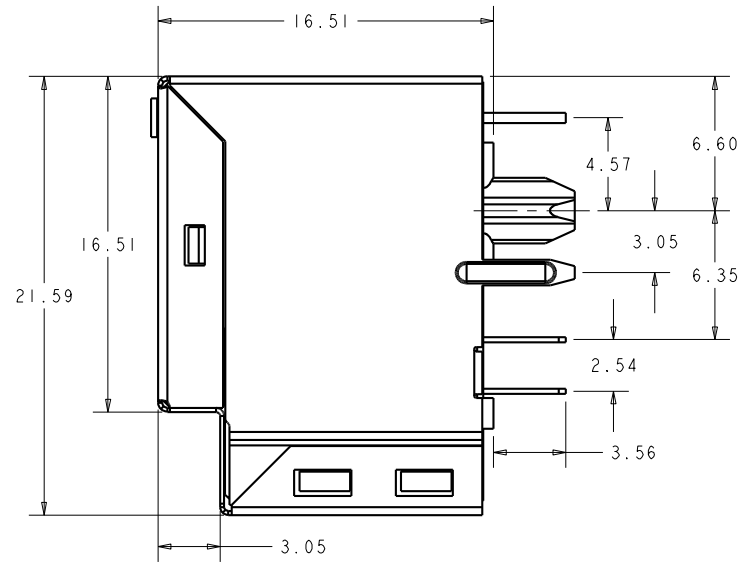
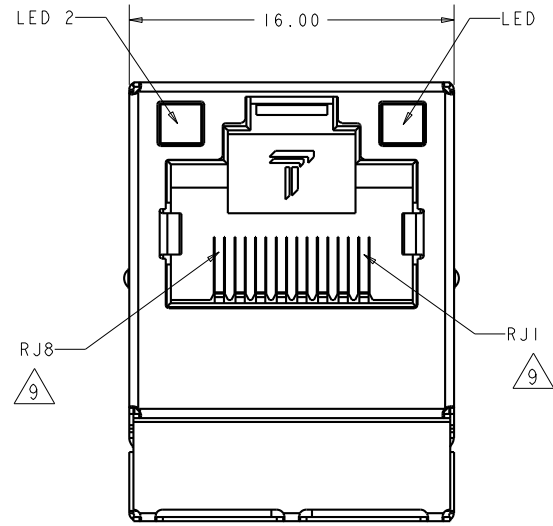
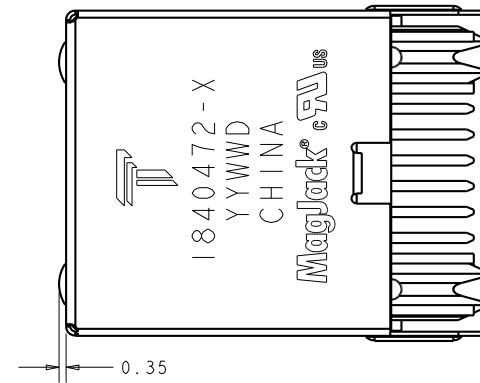
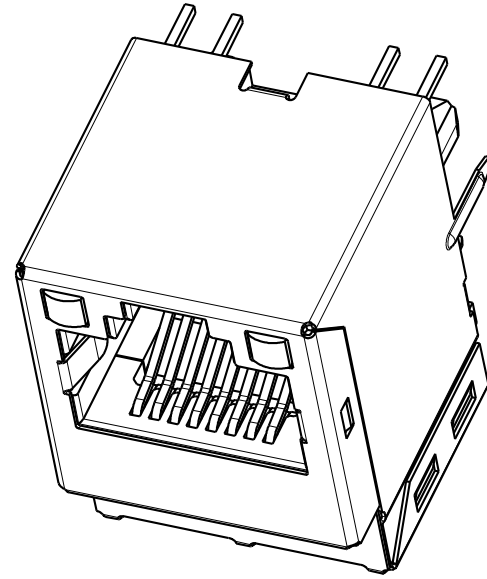


THIS DRAWING AND THE SUBJECT MATTER SHOWN THEREON ARE CONFIDENTIAL AND THE PROPERTY OF BEL/STEWART/TRP CONNECTOR AND SHALL NOT BE REPRODUCED, COPIED, OR USED IN ANY MANNER WITHOUT THE WRITTEN CONSENT OF TRP CONNECTOR.

PRODUCT MAY BE PROTECTED BY ONE OR MORE OF THE FOLLOWING US PATENTS:  
 5736910 5939955 6425781 6428361 6554638 6840817 7123117  
 7429195 7717749 7808751 6217391 6149050 7924130

REVISIONS				
P	LTR	DESCRIPTION	DATE	APVD
G		EC-1411035, LOGO CHANGE	19JAN2015	JC TY



- MATERIALS**  
 HOUSING: THERMOPLASTIC, BLACK, FLAMMABILITY RATED UL 94V-0  
 SHIELD: BRASS, 0.20mm THICK,  
 PREPLATED WITH MIN 0.76um SEMI-BRIGHT NICKEL  
 POST DIPPED WITH 2.54um MIN SAC SOLDER AT GROUND PINS.  
 CONTACT: PHOSPHOR BRONZE,  
 WITH 1.27um MIN OVERALL NICKEL UNDERPLATE AND  
 SELECTIVE 1.27um MIN GOLD PLATING AT MATING INTERFACE  
 SOLDER TAIL: PHOSPHOR BRONZE,  
 WITH 1.27um MIN OVERALL NICKEL UNDERPLATE AND  
 PLATED WITH 2.54um MIN TIN  
 LED: DIFFUSED EPOXY LENS, 0.50mm SQUARE CARBON STEEL WIREFRAME LEADS  
 PREPLATED WITH 2.03um MIN SILVER OVER 1.02um MIN NICKEL  
 OVER 1.02um MIN COPPER UNDERPLATE POST PLATED WITH 2.54um MIN TIN

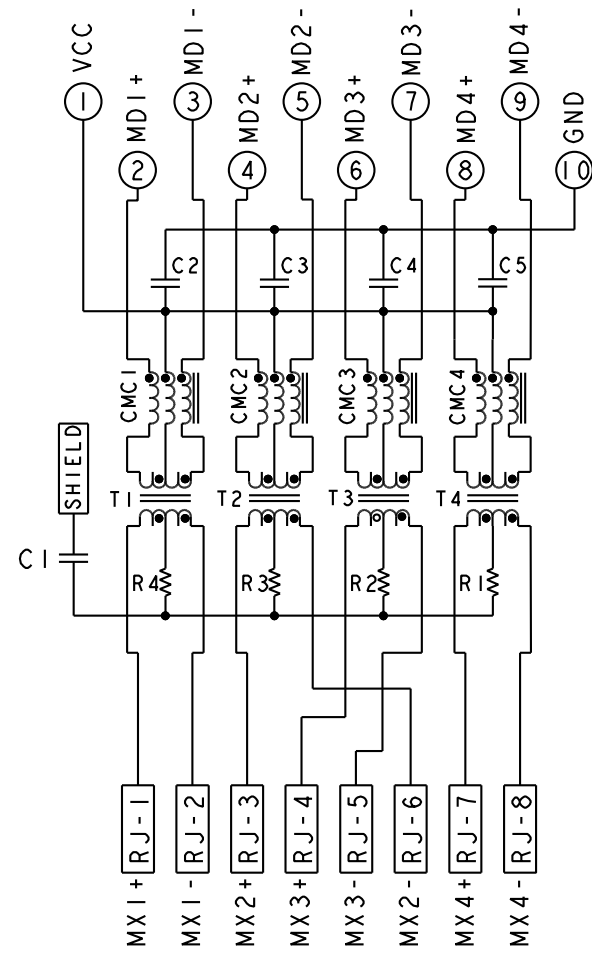
- MAGNETICS**  
 -APPLICATION: 10/100/1000 BASE-T, EXTENDED TEMPERATURE  
 -IMPEDANCE: 100 OHMS  
 -TURNS RATIO (CHIP:CABLE): 1:1 ALL FOUR PAIRS  
 -OPEN CIRCUIT INDUCTANCE (OCL): 350uH MIN @100kHz, 0.1VRMS,  
 8mADC BIAS FROM -40°C TO +85°C, ALL FOUR PAIRS  
 -ALL FOUR PAIRS BI-DIRECTIONAL  
 -PERFORMANCE @ 25°C:  
 INSERTION LOSS (IL): 1.1dB MAX FROM 0.5MHz TO 100MHz  
 RETURN LOSS (RL): 18dB MIN FROM 0.5MHz TO 40MHz  
 12-20LOG(f/80)dB MIN FROM 40.1MHz TO 100MHz  
 CROSSTALK ATTENUATION: 35dB MIN FROM 0.5MHz TO 40MHz  
 33-20LOG(f/50)dB MIN FROM 40.1MHz TO 100MHz  
 COMMON MODE REJECTION RATIO (CMRR): 30dB MIN FROM 0.5MHz TO 100MHz  
 -ISOLATION VOLTAGE: 2250VDC FOR 60 SECONDS DURATION.

- THE MAGNETIC ARE SYMMETRICAL AND SUPPORT AUTO-MDIX OPERATION.
- OPERATING TEMPERATURE: -40°C TO +85°C
- LED IS DRIVEN WITH CONSTANT CURRENT AT APPROX 20mA.  
 DOMINANT WAVELENGTH(λD)  
 GREEN 568nm TYP.at IF=20mA  
 YELLOW 588nm TYP.at IF=20mA  
 FORWARD VOLTAGE(VF):  
 GREEN 2.2V TYP.at IF=20mA  
 YELLOW 2.1V TYP.at IF=20mA
- ALL DIMENSIONS TO BE NOMINAL UNLESS OTHERWISE NOTED
- RJ45 CAVITY CONFORMS TO FCC RULES AND REGULATION PART 68 SUBPART F.
- THESE PARTS ARE RECOMMENDED FOR WAVE SOLDERING PROCESS, PREHEAT TEMPERATURE IS 120°C TO 160°C, 120 SECONDS TO 180 SECONDS, PEAK WAVE SOLDERING TEMPERATURE IS 260°C MAX, 10 SECONDS MAX.
- CONTACT LUBRICANT IN MATING AREA FOR 1-1840472-4 ONLY.

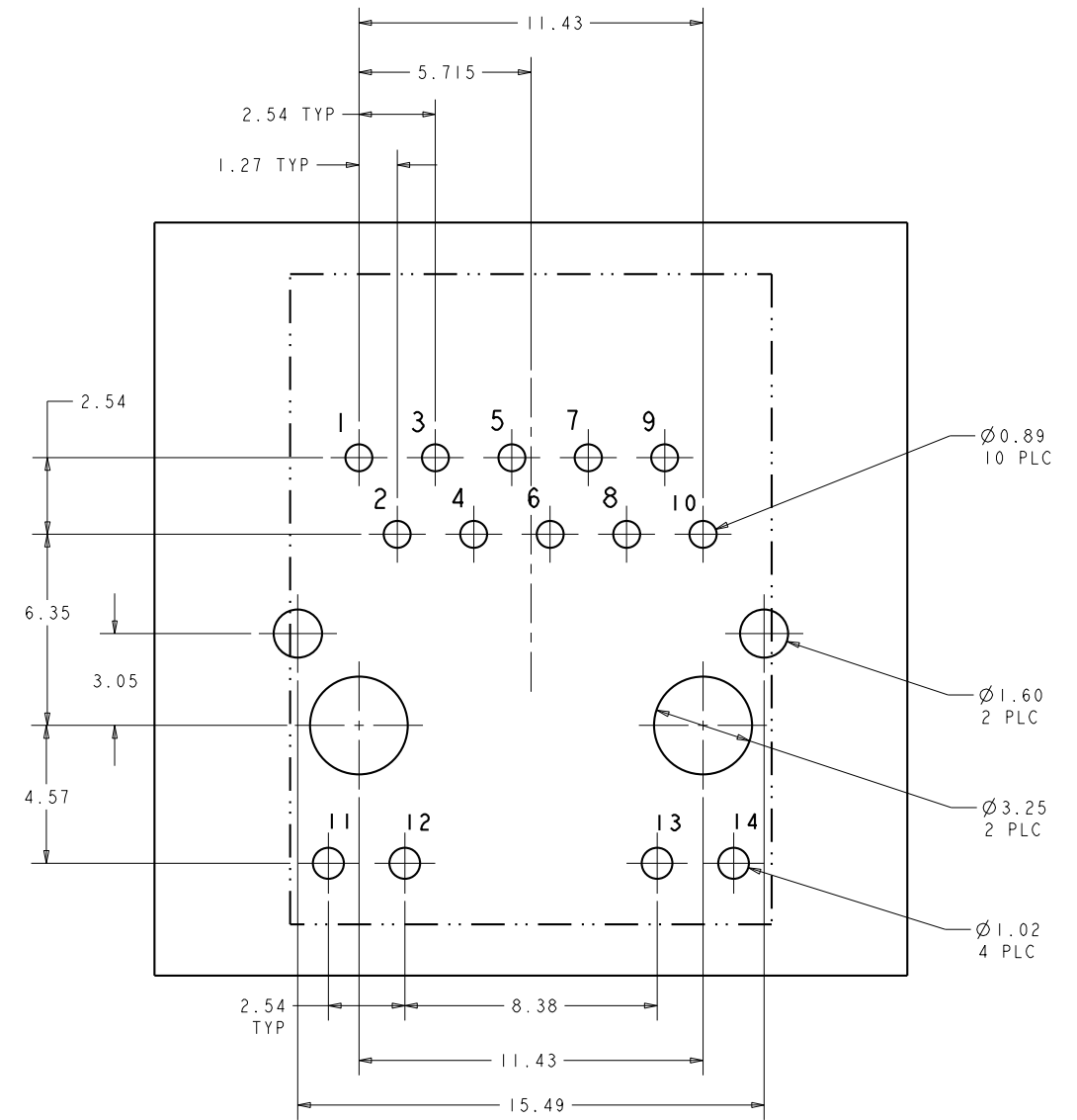
YES	GREEN/YELLOW	GREEN/YELLOW	1-1840472-4
NO	GREEN	GREEN/YELLOW	1840472-5
NO	YELLOW	GREEN	1840472-8
NO	GREEN	GREEN	1840472-1
△9 LUBE	LED 1	LED 2	PART NUMBER

THIS DRAWING IS A CONTROLLED DOCUMENT.		DWN	VKIN LEE	09JAN2009	 <b>trp</b> CONNECTOR a bel group DONGGUAN CHINA
DIMENSIONS: mm		CHK	QUENTIN LIU	09JAN2009	
TOLERANCES UNLESS OTHERWISE SPECIFIED:		APVD	LIJUN RAO	09JAN2009	
0 PLC ±0.25 1 PLC ±0.25 2 PLC ±0.25 3 PLC ±0.25 4 PLC ± ANGLES ± APPLICATION SPEC		MODEL NAME	MAGJACK		
PRODUCT SPEC	108-2100	DESC	IXI, MAGJACK, VERTICAL 4G46ETPI, GIGABIT CIRCUIT, W/ LEDS		RESTRICTED TO
		SIZE	A2	CAGE CODE	DRAWING NO
		CUSTOMER DRAWING		SCALE	4:1
				SHEET	1 OF 2
				REV	G

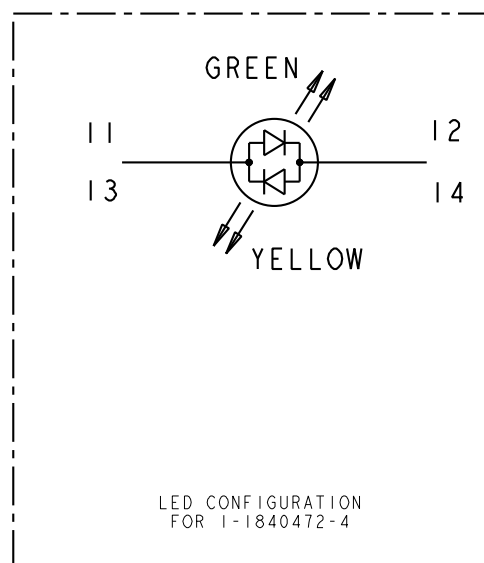
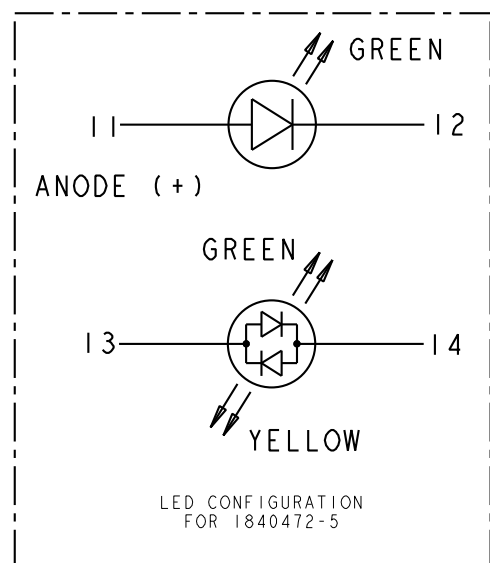
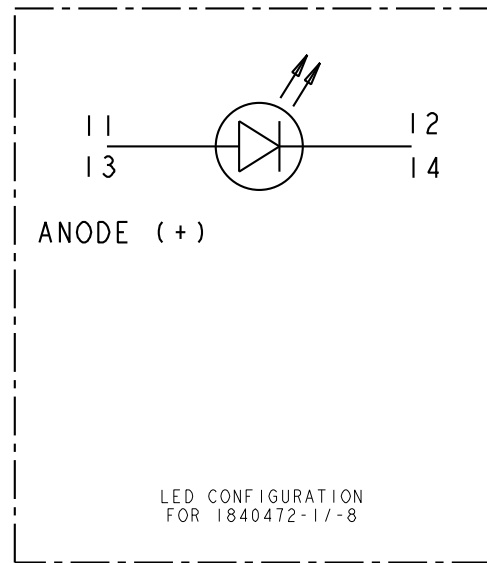
# 4G46ETPI GIGABIT CIRCUIT




C2 - C5 = 0.1 $\mu$ F, 50V, CAPACITOR  
 C1 = 1000pF, 2kV, CAPACITOR  
 R1 - R4 = 75 Ohms, RESISTOR



SUGGESTED PCB LAYOUT (TOL:  $\pm 0.05$ )  
 (COMPONENT SIDE VIEW)



THIS DRAWING IS A CONTROLLED DOCUMENT.		DWN: VKIN LEE 09JAN2009	 <b>trp</b> CONNECTOR a bel group DONGGUAN CHINA
DIMENSIONS: mm		CHK: QUENTIN LIU 09JAN2009	
TOLERANCES UNLESS OTHERWISE SPECIFIED:		APVD: LI JUN RAO 09JAN2009	
0 PLC $\pm 0.25$ 1 PLC $\pm 0.25$ 2 PLC $\pm 0.25$ 3 PLC $\pm 0.25$ 4 PLC $\pm 0.25$ ANGLES $\pm$ APPLICATION SPEC -		MODEL NAME: MAGJACK	
PRODUCT SPEC: 108-2100	DESC: IXI, MAGJACK, VERTICAL 4G46ETPI, GIGABIT CIRCUIT, W/ LEDS	SIZE: A2	CAGE CODE: C-1840472
CUSTOMER DRAWING		SCALE: 4:1	SHEET 2 OF 2 REV G