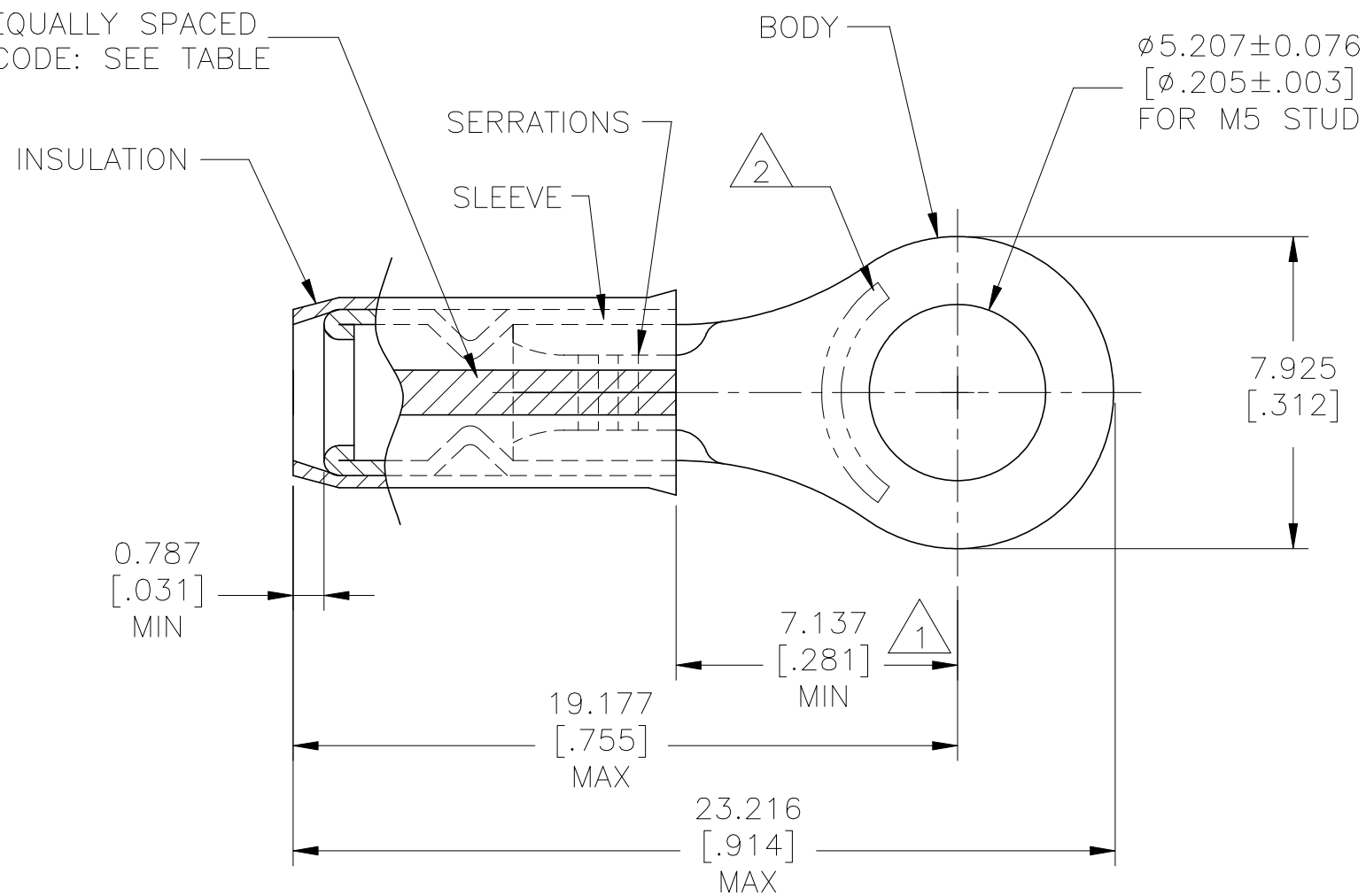


© - TE Connectivity. All Rights Reserved.

REVISIONS

P	LTR	DESCRIPTION	DATE	DWN	APVD
F		REVISED PER ECR-23-175984	30MAY2023	BB	DSC

3 STRIPES EQUALLY SPACED FOR COLOR CODE: SEE TABLE



- 1 DIMENSION APPLIES FROM EDGE OF METAL WIRE BARREL TO CENTER OF STUD HOLE.
- 2 STAMP "AMP 22-16\*" APPROX AS SHOWN
- 3. WIRE INSULATION DIAMETER:SEE TABLE
- 4. BODY MATERIAL THK: 0.787±0.051[.031±.002]
- 5 MATERIAL:  
BODY & SLEEVE - COPPER PER ASTM B152  
INSULATION - NYLON
- 6 FINISH:  
BODY & SLEEVE - TIN PLATE 0.00254[.000100]  
MIN EXT THK PER ASTM B545  
INSULATION COLOR - RED

QTY	PACKAGE TYPE	STRIPE COLOR	WIRE INSULATION DIAMETER	WIRE SIZE	PART NUMBER
500	LOOSE PIECE	WHITE	1.422[.056] - 2.794[.110]	18	131648-3
500	LOOSE PIECE	RED	1.168[.046] - 2.794[.110]	20	131648-1

**AMP INCORPORATED**  
**CUSTOMER SERVICE SYSTEMS**

FOR ADDITIONAL PRODUCT INFORMATION OR COPIES OF DRAWINGS AND TECHNICAL DOCUMENTS  
PRODUCT INFORMATION CENTER  
1-800-522-6752

FOR APPLICATION TOOLING INFORMATION  
TOOLING ASSISTANCE CENTER  
1-800-722-1111

FOR ORDER ENTRY  
1-800-526-5142

MAX RECOMMENDED OPERATING TEMPERATURE:  
105°C [221°F] MAX

VOLTAGE RATING: 300 V MAX

WIRE RANGE: CIRC MIL AREA:  
20 0.60mm<sup>2</sup> [1,186]  
18 0.96mm<sup>2</sup> [1,900]  
STRANDED

THIS DRAWING IS A CONTROLLED DOCUMENT.

DIMENSIONS: mm [INCHES]

TOLERANCES UNLESS OTHERWISE SPECIFIED:  
0 PLC ± -  
1 PLC ± -  
2 PLC ± -  
3 PLC ± 0.127[.005]  
4 PLC ± -  
ANGLES ± -

MATERIAL 5

FINISH 6

DWN LINGANATHAN P 12MAY2023  
CHK SUVARNA, CHETHAN D 12MAY2023  
APVD SUVARNA, CHETHAN D 12MAY2023

PRODUCT SPEC  
-  
APPLICATION SPEC  
114-2157  
WEIGHT  
-

**TE** TE Connectivity

NAME: TERMINAL, RING TONGUE, IR, PIDG™  
WIRE SIZE: 20 & 18 AWG

SIZE: A3 CAGE CODE: 00779 DRAWING NO: 131648 RESTRICTED TO: -

CUSTOMER DRAWING SCALE: NTS SHEET: 1 of 1 REV: F