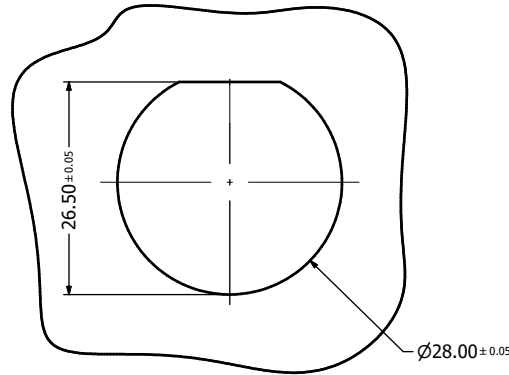


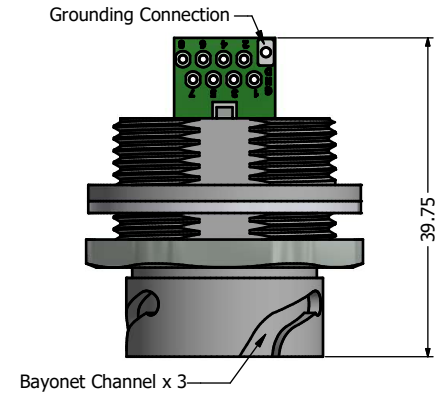
Shielded Cat.5e RJ45 PCB Jack with Metal Shell Grounding accepts both Solid and Stranded AWG 24 to 26 Wires

Panel Flange
Receptacle Housing (Metalized Plastic Version Bayonet Locking Style)

Panel Nut (M28 x 1.5)

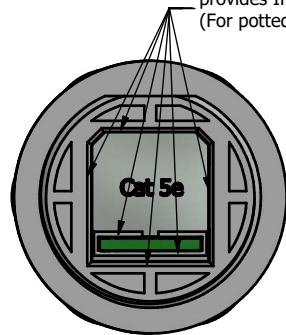


Recommended Panel Cutout

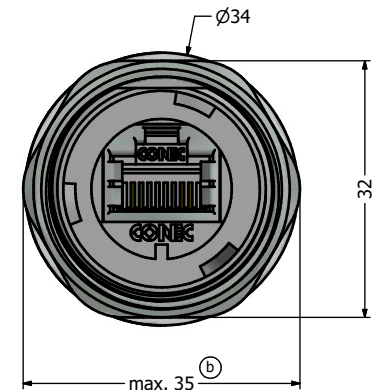
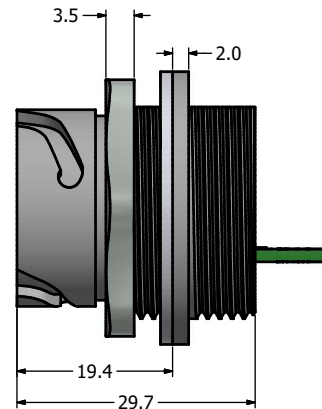


Bayonet Channel x 3

39.75



Sealed with Sealing Compound, provides IP67 even when uncovered (For potted version only)



Notes:

1. Electrical Specifications:

- Meets EIA/TIA-568-B.2 Cat.5e Specification
- Contact Resistance: 20mOhm max.
- Insulation Resistance: 500MOhm min. @ 100 VDC
- Current Rating: 1.2A max. at 25° C
- Working Voltage: 100 VDC
- DWV: 1000 VDC/60s Contact to Contact, 1500 VDC/60s Contact to Metal Shell
- Operating Temperature: -40° C to +85° C

2. Material and Finish:

- Receptacle Housing: ABS, Nickel Plated, UL94 V-0
- Panel Nut: Brass, Finish: Nickel Plated
- Panel Gasket: Silicon, Color: White
- Cat.5e RJ45 PCB Jack Metal Shell: Copper Alloy, Nickel Plated
- Cat.5e RJ45 PCB Jack Plastic Housing: Glass filled PBT UL94 V-0, Color: Black
- Cat.5e RJ45 PCB Jack Contacts: Phosphor Bronze, Finish: 50u" Gold min. over Nickel

- Connector can be front or rear mounted to a maximum panel thickness of 3.2mm.
- IP67 rated when covered or fully mated with the appropriate mating connector
- Recommended Mounting Panel Nut torque is 20 to 25 lb-inch

Description	Part Number
Metalized Plastic Version	17-110384
Potted Metalized Plastic Version	17-110394

THIS DRAWING MAY NOT BE COPIED OR REPRODUCED IN ANY MANNER WITHOUT THE WRITTEN PERMISSION OF CONEC CORPORATION. OWNERSHIP AND COPYRIGHT OF CONEC CORPORATION.	Customer:			Tolerance Unless otherwise specified			Scale:	Dim. in mm
	Name	Title	Approval Date	0 PLC ±0.50	1 PLC ±0.38		Autodes Inventor Name Vincent Ke J. Chaudry Norm D-old	Material: See Notes
				2 PLC ±0.25	3 PLC ±0.10	Receptacle Assembly Kit with Metalized Plastic Housing + Shielded Cat. 5e RJ45 PCB Jack Version-II		
				ANGLES ±3°				Drawing No.: 17K1A360
1 x b	A21-04.26	03.11.2021	Bub			Part No.: SEE PART NUMBER TABLE		Sheet 1/1

RoHS compliant