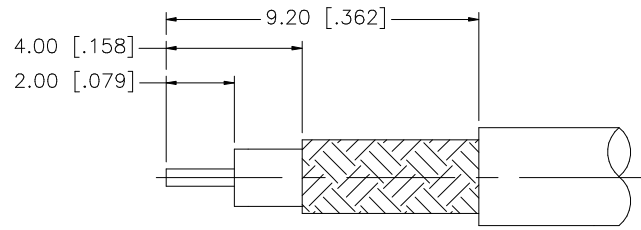
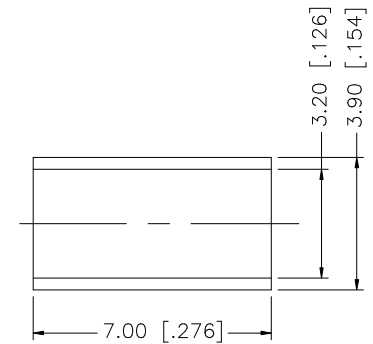
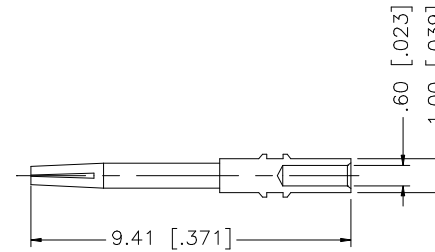
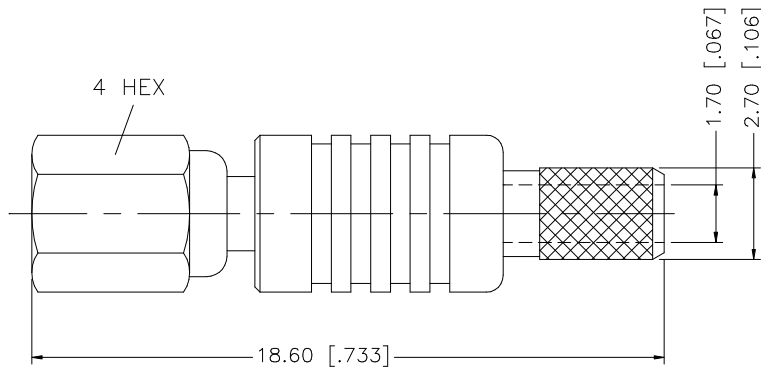


REV.	DATE	DESCRIPTION
NC	01/29/07	INITIAL RELEASE



RECOMMENDED
CABLE STRIPPING DIM'S



NOTE:

1. CRIMPED FERRULE HEX CRIMP SIZE .128"
2. CONTACT PIN TO SOLDER

REV.	DATE	DESCRIPTION	APPROVALS	DATE	Amphenol Connex								
8			DRAWN	G.R.S.	01/29/07	PART DESCRIPTION SSMC CRIMP PLUG (FOR RG-174/U, 188A/U, 316/U)							
7			CHECKED										
6			ISSUED			PART NO. 153100							
5			SHEET	1 OF 1									
4			CAD FILE	C:/153/153100.DWG		DWG. NO.	153100.DWG	REV.	NC	SIZE	A	SCALE	NA
3	CONTACT PIN	BER. COPPER	GOLD	1	UNLESS OTHERWISE SPECIFIED DIMENSIONS ARE IN MILLIMETERS. DIMENSIONS IN [] ARE IN INCHES AND FOR CUSTOMER REFERENCE ONLY. UNLESS OTHERWISE SPECIFIED TOLERANCES FOR MILLIMETERS ARE: 0.5 - 8mm ± 0.20mm 8 - 30mm ± 0.40mm 30 - 120mm ± 0.50mm UNLESS OTHERWISE SPECIFIED TOLERANCES FOR INCHES ARE: .020 - .315 = ± 0.007" .315 - 1.180 = ± 0.015" 1.180 - 4.724 = ± 0.020" DO NOT SCALE DRAWING								
2	INSULATOR	TEFLON	NATURAL	1									
1	BODY	BRASS	GOLD	1									
	DESCRIPTION	MATERIAL	FINISH	QTY									