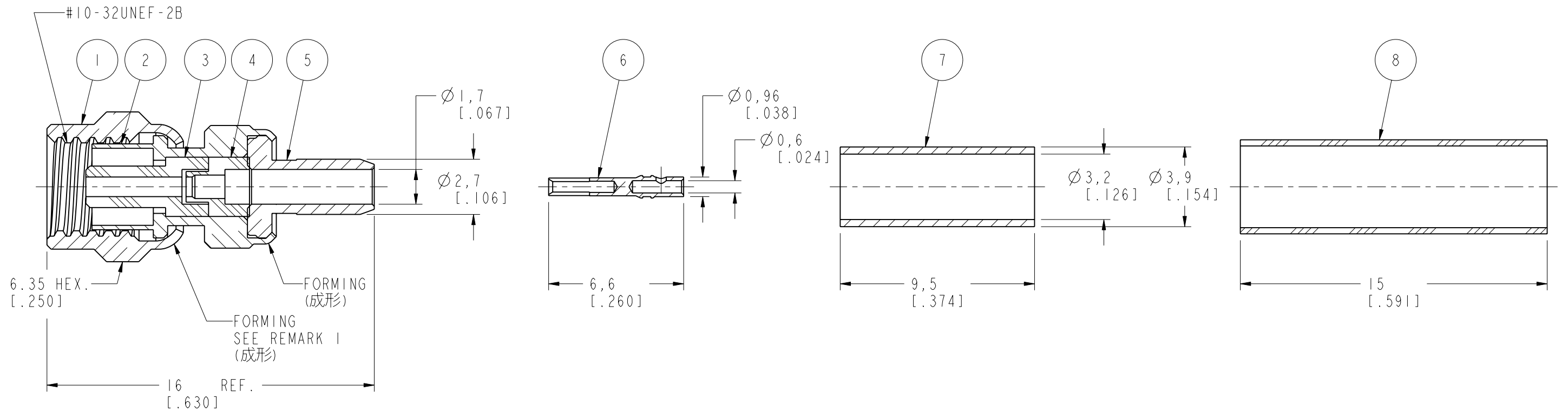
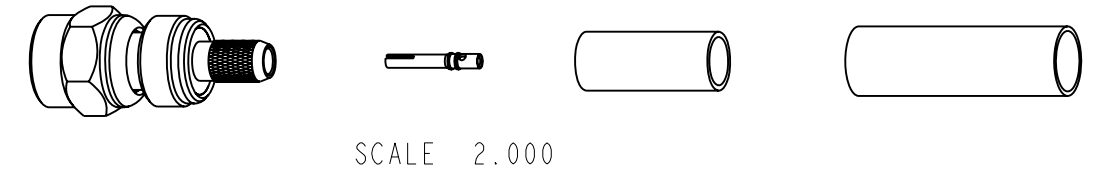


NOTES: FINISH(PLATING THICKNESS IN MICRO-INCHES)
 1. PLATING PER AMPHENOL SPEC. 349-50560. (FOR USA)
 PLATING PER KAI JACK SPEC. EP-SS-9700 (FOR CHINA)
 SUMMARY:
 FR-39/32X95 GOLD PL. 3 MIN. THICK OVER NICKEL PL. 100 MIN.
 THICK OVER COPPER STRIKE
 SMB612IB2-5-096/06-D GOLD PL. 30 MIN. THICK OVER NICKEL PL. 100 MIN.
 THICK OVER COPPER STRIKE
 SMB612IA1-4-27/17 GOLD PL. 3 MIN. THICK OVER NICKEL PL. 100 MIN.
 THICK OVER COPPER STRIKE
 SMC612IA1-2-B GOLD PL. 3 MIN. THICK OVER NICKEL PL. 100 MIN.
 THICK OVER COPPER STRIKE
 SMC612IA1-1 GOLD PL. 3 MIN. THICK OVER NICKEL PL. 100 MIN.
 THICK OVER COPPER STRIKE

THIRD ANGLE PROJ.

REVISIONS

REV	DESCRIPTION	DATE	ECO	APPR
A	RELEASE TO MFG.	14-Apr-03	-----	TOM
B	ITEM 5,7 WERE CHANGED\RD-DM08091101M	16-Sep-08	-----	SH
C	SYNCH THE DRAWING WITH CONNEX\N/A	24-Apr-14	2738	SH



REMARK:

- ITEM 1 MUST TURN AND SLIDE WITHOUT BINDING AND MUST BE CAPABLE OF WITHSTANDING A PULL-OFF FORCE OF 23 LBS. MIN. AFTER FORMING
 成形后, 零件1 可以自由轉動並且至少能承受23 磅的脫離力
- ITEM 2 AND 5 MUST WITHSAND A PULL FROCE OF 30 lbs. MIN. AFTER FORMING.
 成形后, 零件2 和零件5 至少能承受 30 磅的脫離力

HT-46/4X15		1	8	HEAT SHRINK TUBING	BLACK	-
FR-39/32X95	GI	1	7	FERRULE	NOTE 1	BRASS
SMB612IB2-5-096/06-D	JH	1	6	CONTACT PIN	NOTE 1	BERYLLIUM COPPER
SMB612IA1-4-27/17	GI	1	5	BARREL	NOTE 1	BRASS
SMB612IB2-3T-50		1	4	INSULATOR	NATURAL	PTFE
SMB612IA1-2T-50		1	3	INSULATOR	NATURAL	PTFE
SMC612IA1-2-B	GI	1	2	BODY	NOTE 1	BRASS
SMC612IA1-1	GI	1	1	SHELL	NOTE 1	BRASS
PART NUMBER	PLTG	QTY.	ITEM	DESCRIPTION	FINISH	MATERIAL

UNLESS OTHERWISE SPECIFIED, DIMENSIONS ARE IN METRIC AND TOLERANCES ARE:
 <0.5mm ±0.05mm 0.5 - 6mm ±0.1mm 6 - 30mm ±0.2mm 30 - 120mm ±0.3mm ANGLES ±1°

NOTICE - These drawings, specifications, or other data (1) are, and remain the property of Amphenol corp. (2) must be returned upon request; and (3) are confidential and not to be disclosed to any person other than those to whom they are given by Amphenol Corp. the furnishing of these drawings, specifications, or other data by Amphenol Corp., or to any other person to anyone for any purpose is not to be regarded by implication or otherwise in any manner licensing, granting rights to permitting such holder or any other person to manufacture, use or sell any product, process or design, patented or otherwise, that may in any way be related to or disclosed by said drawings, specifications, or other data.

MATERIAL
 REFERENCE AND CONNEX P/N: 152101
 CONFIGURATION LEVEL:
 FINISH

DRAWN M. ZHANG
 ENGINEER NANCY
 APPROVED S. HSIEH
 CAD FILE

DATE 23-Apr-14
 DATE 14-Apr-03
 DATE 23-Apr-14

TITLE
 SMC CRIMP PLUG
 (FOR RG-174/U, 188A/U
 316/U CABLE)
 SCALE: 5.0:1.0 SHEET 1 OF 3
 DWG SIZE B REV C

Amphenol RF
 www.amphenolrf.com
 DRAWING NO. SMC612IA1-005-3GT30G-50
 ITEM NO. 136111AAC36GE5F
 PART NO.