

THIS DRAWING IS UNPUBLISHED.
DIFFUSION RESTREINTE AMP

RELEASED FOR PUBLICATION
LIBRE A LA DIFFUSION 20

© COPYRIGHT BY

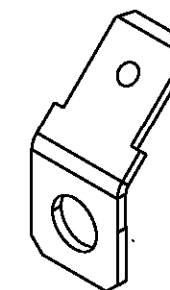
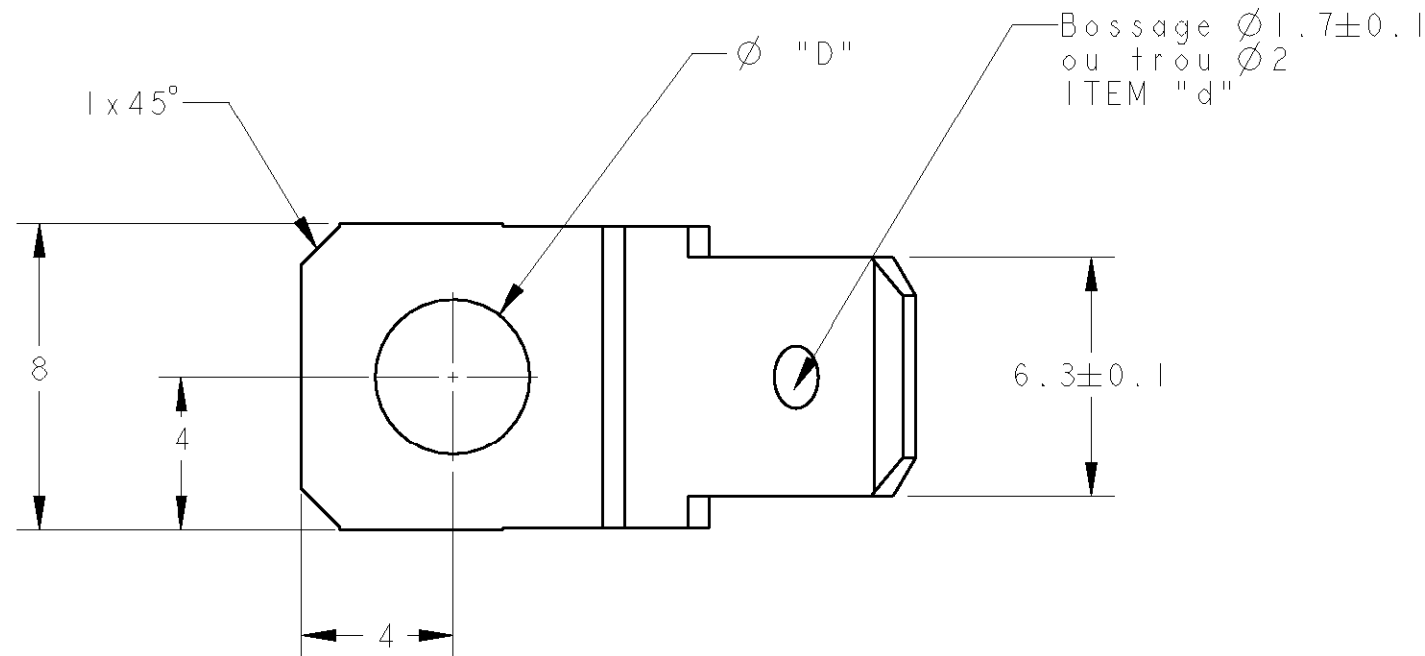
ALL RIGHTS RESERVED.
TOUS DROITS RESERVES

LOC
F

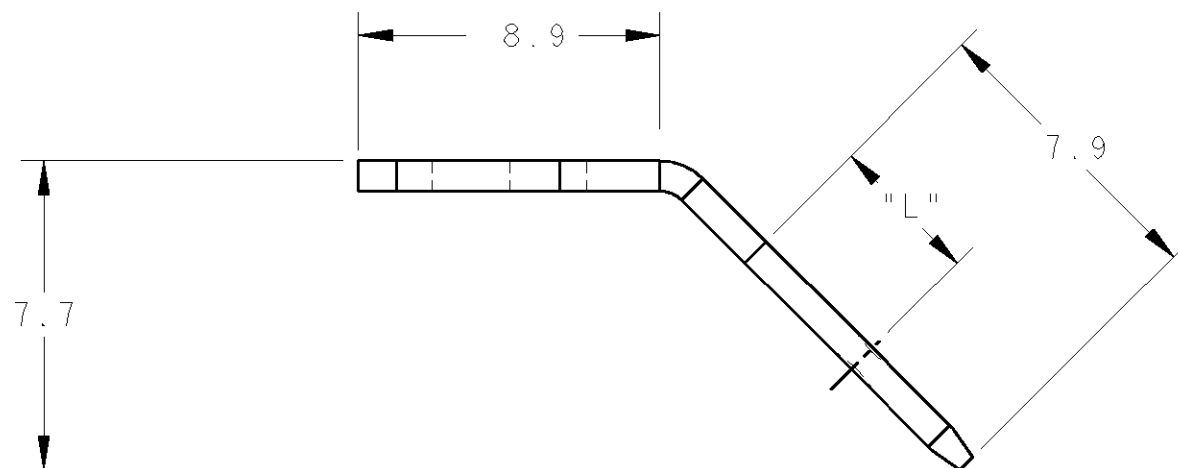
DIST
7

REVISIONS

P	LTR REV	DESCRIPTION MODIFICATIONS	DATE	DWN DESS.	APVD APP.
S		REVISED PER ECR-23-166591	22FEB23	DB	RE



ECHELLE 2:1



141158-1	dore	4.1	3	bossage
141036-1	brut	3.4	5.2	trou
140829-2	etame	3.4	3	trou
140829-1	brut	3.4	3	trou
140814-2	etame	3.4	4.1	trou
140814-1	brut	3.4	4.1	trou
140856-2	etame	4.1	3.7	bossage
140856-1	brut	4.1	3.7	bossage
140759-0	etame	4.1	5.2	bossage
140665-0	brut	4.1	5.2	bossage
140660-0	etame	4.1	3	bossage
140659-0	brut	4.1	3	bossage
140598-0	etame	4.1	4.1	bossage
140597-0	brut	4.1	4.1	bossage
Reference	Finition	"L"	"D"	"d"

DWN/DESSINE 30MARS98 O. LEMPEREUR		STE TE Connectivity	
CHK/VERIFIE - G. ROBERT			
APVD/APPROUVE - Y. PETRONIN		NAME/TITRE FASTON TABS BENT 45 .250 series LANGUETTE POUR CLIPS	
DIMENSIONS: mm		SIZE FORMAT A3	
TOLERANCES UNLESS OTHERWISE SPECIFIED: TOLERANCES NON SPECIFIEES (SUIV NB DE DECIMALES): 0 PLC/DEC: ±- 1 PLC/DEC: ±0.2 2 PLC/DEC: ±- 3 PLC/DEC: ±- 4 PLC/DEC: ±- ANGLES ±30'		DRAWING NO No PLAN C=140597	
MATERIAL/MATIERE LAITON		RESTRICTED TO RESERVE A -	
FINISH/FINITION Voir tableau		WEIGHT MASSE APPROX. -	
CUSTOMER DRAWING /PLAN CLIENT		UNIQUEMENT POUR REFERENCE SCALE ECHELLE 5:1	
		SHEET FEUILLE OF DE REV S	