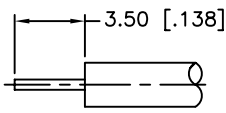
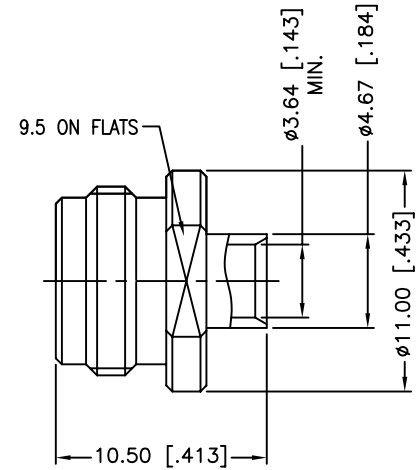
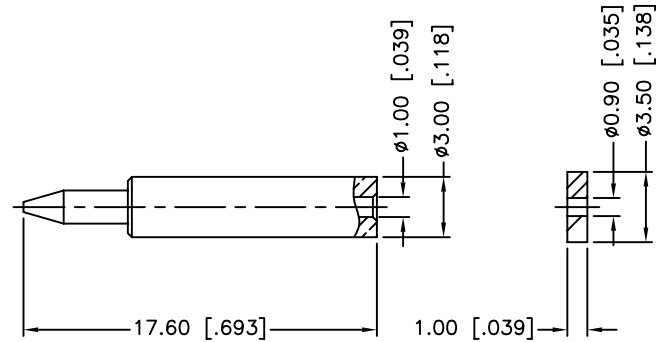
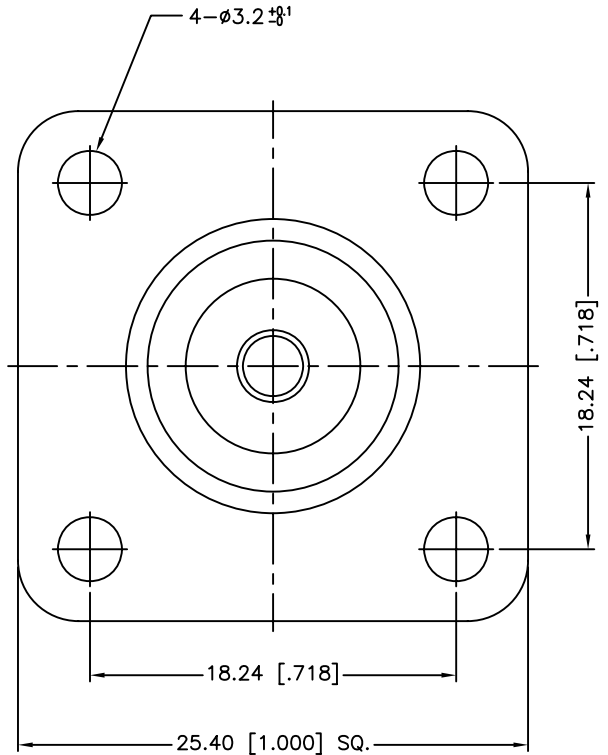
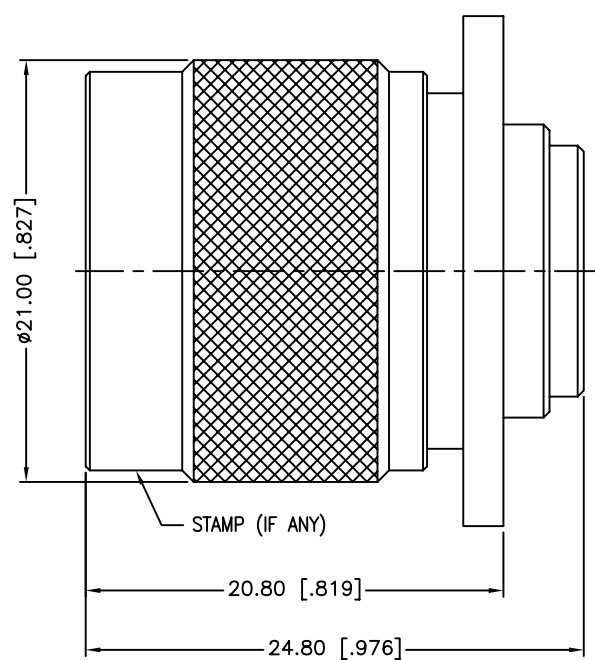


REV.	DATE	ECR NO.	DESCRIPTION
NC	08/17/06	XXXXXX	INITIAL RELEASE
A	02/10/14	2694	CORRECT DESCRIPTION FROM JACK TO PLUG, UPDATE DRAWING FORMAT



RECOMMENDED
CABLE STRIPPING DIM'S



1. IMPEDANCE: 50 OHM
2. FREQUENCY RANGE: 0-11 GHZ
3. DIELECTRIC WITHSTANDING VOLTAGE: 2500 VRMS, MIN.
4. DURABILITY: 500 CYCLES MIN.
5. TEMPERATURE RANGE: -65°C TO +165°C
6. CRIMPED CONTACT PIN
HEX. CRIMP SIZE .100" OR SOLDER

QTY	DESCRIPTION	MATERIAL	FINISH
1	BODY WITH PANEL	BRASS	NEXCOTE
2	INSULATOR	PTFE	NATURAL
3	INNER BODY	BRASS	NEXCOTE
4	GASKET	SILICONE RUBBER	RED
5	RETAINER RING	SUS 304	NATURAL
6	SHELL	BRASS	NEXCOTE
7	CONTACT PIN	BRASS	GOLD
8	INSULATOR	PTFE	NATURAL
9	SOLDER NUT	BRASS	GOLD

UNLESS OTHERWISE SPECIFIED DIMENSIONS ARE IN MILLIMETERS. DIMENSIONS IN [] ARE IN INCHES AND FOR CUSTOMER REFERENCE ONLY.
UNLESS OTHERWISE SPECIFIED
TOLERANCES FOR MILLIMETERS ARE:
<0.5 ± 0.05mm
0.5 - 6mm ± 0.10mm
6 - 30mm ± 0.20mm
30 - 120mm ± 0.30mm
ANGLES ± 1°
UNLESS OTHERWISE SPECIFIED
TOLERANCES FOR INCHES ARE:
<.020 ± 0.002"
.020 - .236 = ± 0.004"
.236 - 1.180 = ± 0.007"
1.180 - 4.724 = ± 0.012"
ANGLES ± 1°
DO NOT SCALE DRAWING

APPROVALS	DATE
DRAWN M.ZHANG	02/10/14
CHECKED	
ISSUED	
SHEET 1 OF 1	
CAD FILE C:/CONNEX/172309.DWG	

Amphenol Connex

PART DESCRIPTION
**N PANEL DIRECT SOLDER PLUG
(FOR .141" SEMI RIGID CABLE)**

PART NO.
172309

DWG. NO. 172309.DWG	REV. A	SIZE A	SCALE NA
---------------------	--------	--------	----------