

# HC6

## High Power Resonant Capacitors



### FEATURES

High AC Voltage - High Current

### APPLICATIONS

Induction Heating - Tank Circuits

KVAR	600
CAPACITANCE TOLERANCE	+/-10%
MAXIMUM CORE TEMPERATURE	+85°C
SURFACE TEMPERATURE	+45°C (Above 45°C the KVAR rating must be de-rated by 2.25%/°C)
CONSTRUCTION	Self-healing
SELF INDUCTANCE	< 5 nH
DIELECTRIC	Polypropylene
FLAME RETARDANT	UL94V0

### Standard Part Listing

Capacitance (µF)	VAC	IC part number	Maximum RMS current (A)	MAX power kvar	Frequency range (kHz)	ESR (mΩ) 100kHz, +25°C	Dimensions (mm)			Terminal Style
							B	H	L	
0.33	1000	334HC6102K2EM8	600	600	290	1.0	30.2	66	56	2EM8
0.50	800	504HC6102K2EM8	750	600	299	0.9	30.2	66	56	2EM8
0.66	800	664HC6102K2EM8	750	600	226	0.8	30.2	66	56	2EM8
1.33	700	135HC6900K2EM8	950	600	148-179	0.3	30.2	66	56	2EM8
2.60	600	265HC6700K2EM8	1050	600	101-112	0.3	30.2	66	56	2EM8
5.00	500	505HC6500K2EM8	1200	600	76	0.2	30.2	66	56	2EM8
0.33	1000	334HC6102K4TM6	600	600	290	1.0	30.2	60	60	4TM6
0.50	800	504HC6102K4TM6	750	600	299	0.9	30.2	60	60	4TM6
0.66	800	664HC6102K4TM6	750	600	226	0.8	30.2	60	60	4TM6
1.33	700	135HC6900K4TM6	950	600	148-179	0.3	30.2	60	60	4TM6
2.60	600	265HC6700K4TM6	1050	600	101-112	0.3	30.2	60	60	4TM6
5.00	500	505HC6500K4TM6	1200	600	76	0.2	30.2	60	60	4TM6

Americas / EU

Phone: 1-508-996-8561

Email: cdena@cde.com



**CORNELL  
DUBILIER**



Asia

Phone: 852-2793-0931

Email: cdeasia@cde.com

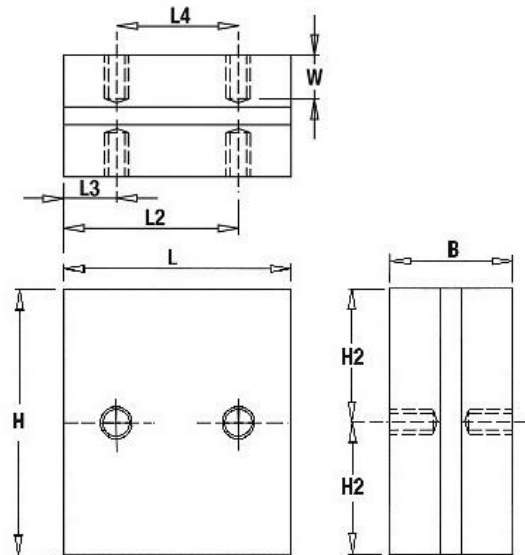
Sep-21

# HC6

## High Power Resonant Capacitors

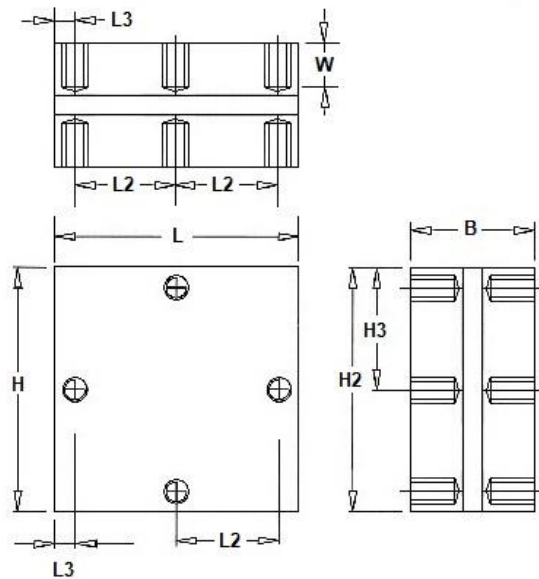


### LEAD STYLE: 2EM8



L	H	B	H2	L2	L3	L4	W
56±0.5	66±0.5	30.2±0.1	33	43	13	30	10±0.5
Mounting Holes: M8x1.25 tap fitted with SS helicoil							
Tightening torque: 15Nm MAX							

### LEAD STYLE: 4TM6



L	H	B	H2	H3	L2	L3	W
60±0.5	60±0.5	30.2±0.1	55	30	25	5	10±0.5
Mounting Holes: M6x1 tap fitted with SS helicoil							
Tightening torque: 15Nm MAX							

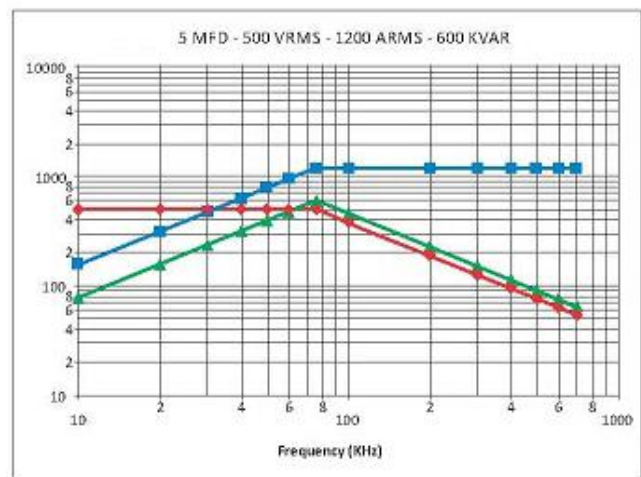
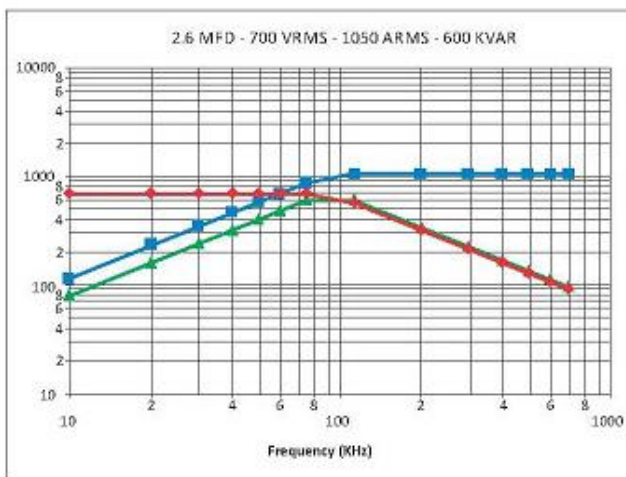
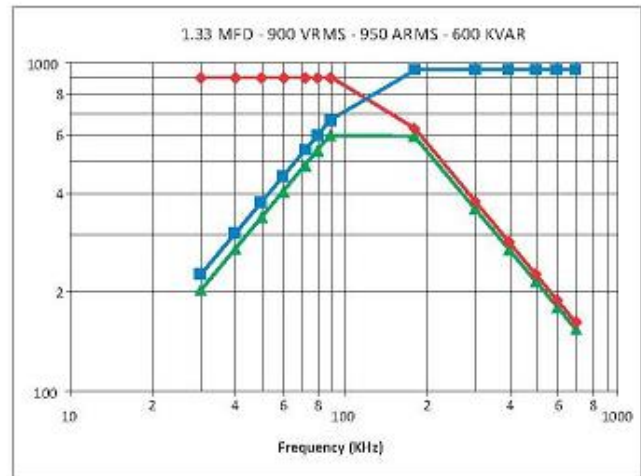
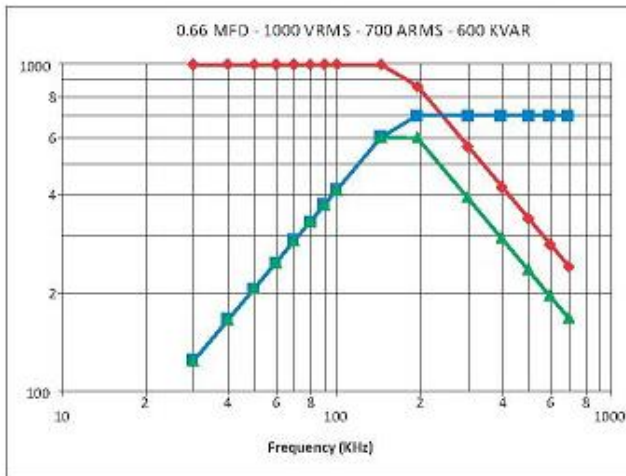
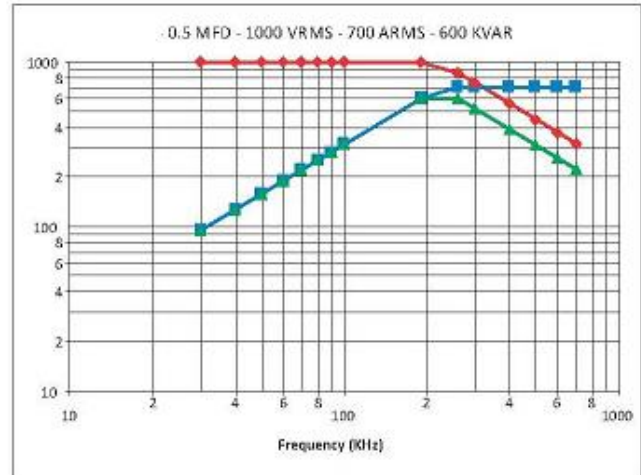
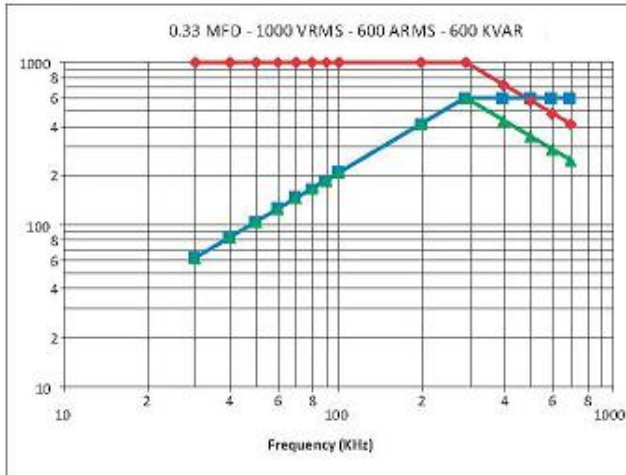
# HC6

## High Power Resonant Capacitors



### Frequency Derating

— Voltage — Current — Power



Americas / EU  
Phone: 1-508-996-8561  
Email: cdena@cde.com



Asia  
Phone: 852-2793-0931  
Email: cdeasia@cde.com