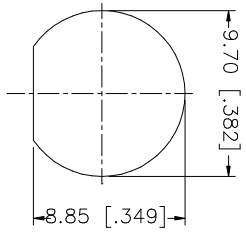
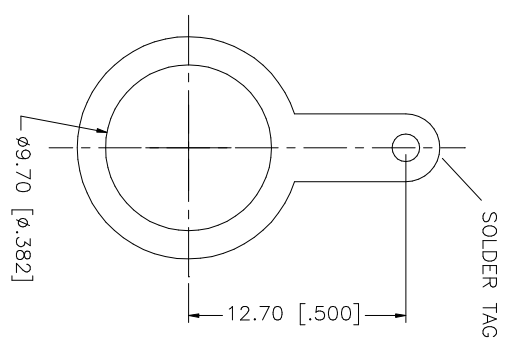
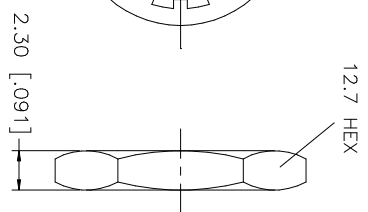
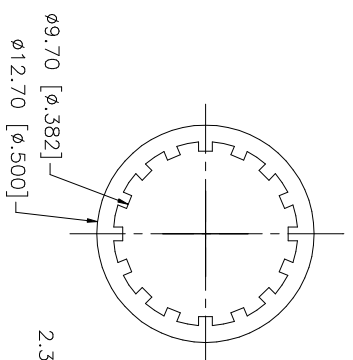
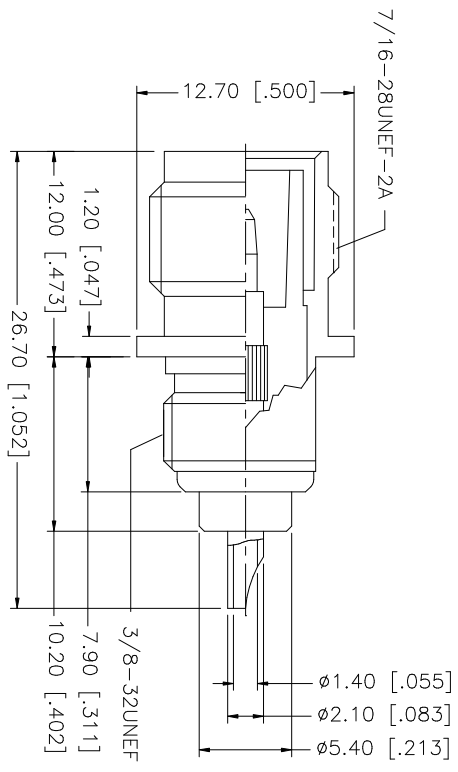


REV.	DATE	DESCRIPTION
A	02/21/06	UPDATE DRAWING FORMAT



RECOMMENDED
MOUNTING HOLE

NOTE:
1. MAX. PANEL THICKNESS = 3.2mm

QTY	DESCRIPTION	MATERIAL	FINISH	FINISH	QTY	DO NOT SCALE DRAWING
1	INSULATOR BODY	BRASS	NICKEL	NICKEL	1	UNLESS OTHERWISE SPECIFIED, DIMENSIONS ARE IN INCHES AND FOR CUSTOMER REFERENCE ONLY. TOLERANCES FOR MILLING ARE: 0.5 - .8mm ± 0.20mm 8 - 30mm ± 0.40mm 30 - 120mm ± 0.50mm UNLESS OTHERWISE SPECIFIED, DIMENSIONS FOR THIS ARE: .020 - .315 = ± 0.007" .315 - 1.180 = ± 0.015" 1.180 - 4.724 = ± 0.020"
1	INSULATOR CONTACT PIN	PHOS. BRONZE	GOLD	NICKEL	1	
1	LOCK WASHER	BRASS	NICKEL	NICKEL	1	
1	HEX NUT	BRASS	NICKEL	NICKEL	1	
1	SOLDER TAB	BRASS	NICKEL	NICKEL	1	

APPROVALS	DATE
DRAWN G.R.S.	02/21/06
CHECKED	
ISSUED	
SHEET 1 OF 1	

PART DESCRIPTION	PART NO.
TNC REVERSE POLARITY BULKHEAD RECEPTACLE JACK	122332RP

DWG. NO.	REV.	SIZE	SCALE
122332RP.DWG	A	A	NA

Amphenol Connex

CAD FILE
C:/122/122332RP.DWG