



- Operating Temperature: -40°C +125°C
- MSL: 1
- Peak Reflow Temperature: 245°C

Electrical Specification @ 25°C

Part Number	Insertion Loss (dB MAX)		Return Loss (Z out = 100OHM +/-15%) (dB MIN)		Crosstalk (dB MIN)		Common Mode Rejection Ratio (dB MIN)		HI-POT (Vrms MIN)
	0.1-100KHz	1-125MHz	1-40 MHz	40-100MHz	1 MHz	10-100 MHz	2 MHz	30-200 MHz	
1000B-5020FNL	-1.2	-0.2-0.002*f ^{1.4}	-16	-10+20* LOG ₁₀ (f/80MHz)	-50	-55+22* LOG ₁₀ (f/10)	2	-15+20*LOG ₁₀ (f/200)	1500
1000B-5020XFNL	-1.2	-0.2-0.002*f ^{1.4}	-16	-10+20* LOG ₁₀ (f/80MHz)	-50	-55+22* LOG ₁₀ (f/10)	2	-15+20*LOG ₁₀ (f/200)	1500

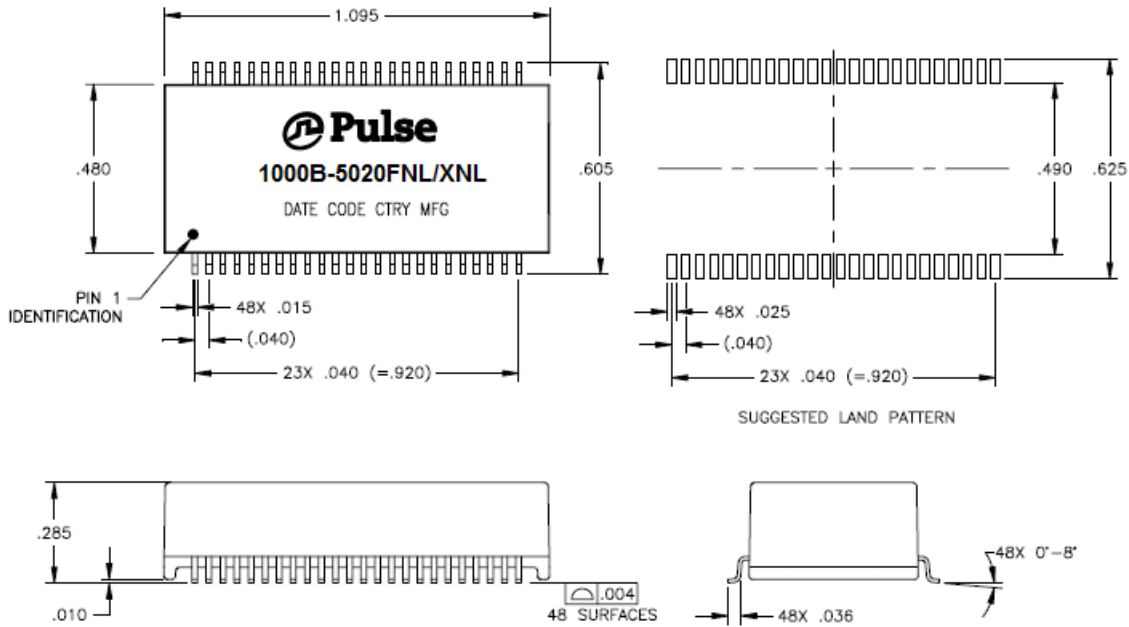
Operating temperature for 1000B-5020F: -40°C to +85°C

Operating temperature for 1000B-5020FX: -55°C to +125°C

- Notes:
1. For Tape & Reel Packaging, add "T" suffix at the end of the part number; i.e. 1000B-5020XFNL
 2. NL has a Lead Finish of Sn100
 3. f is Frequency

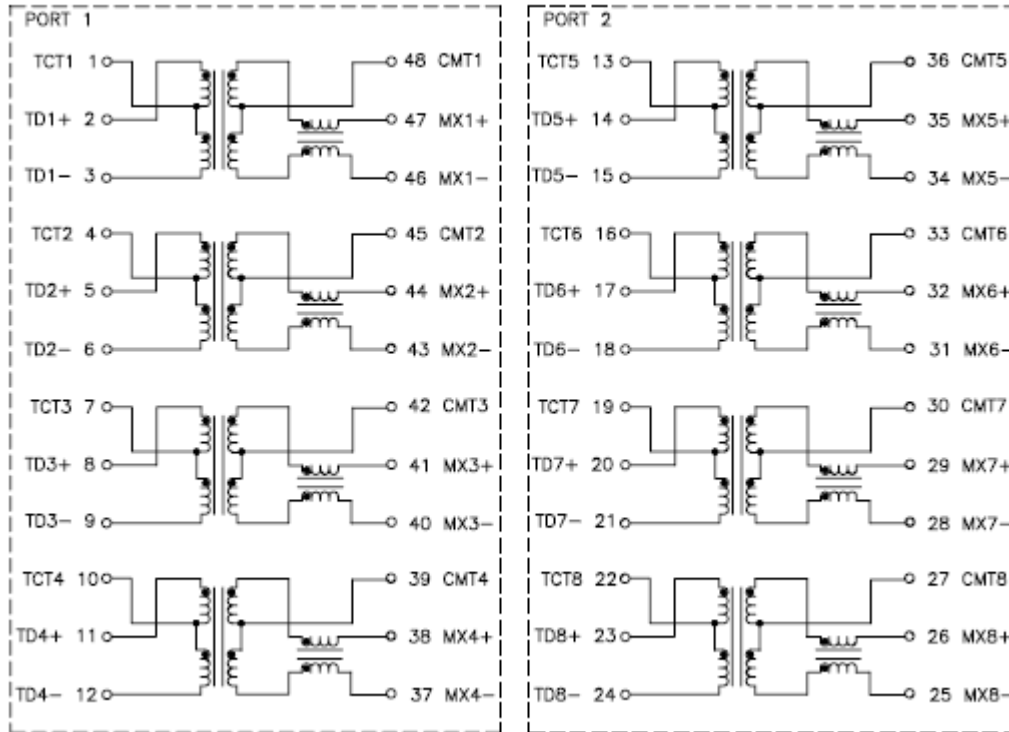
Mechanical

1000B-5020FNL/XNL



Schematic

1000B-5020FNL/XNL



For More Information

Pulse North America Headquarters
Two Pearl Buck Court
Bristol, PA 19007
U.S.A.

Pulse Europe
Einsteinstrasse 1
D-71083
Herrenberg
Germany

Pulse China Headquarters
B402, Shenzhen
Academy of
Aerospace
Technology Bldg.
10th Kejinan Road
High-Tech Zone
Nanshan District
Shenzhen, PR China
518057

Pulse North China
Room 2704/2705
Super Ocean
Finance Ctr. 2067
Yan An Road West
Shanghai 200336
China

Pulse South China
135 Joo Seng Road
#03-02
PM Industrial Bldg
Singapore 368363

Pulse North Asia
3F, No 198
Zhongyuan Road
Zhongli City
Tayuan County 320
Taiwan R.O.C
Tel: 886 3 4356768

Tel: 215 781 6400
Fax: 215 781 6403

Tel: 49 7032 7806 0
Fax: 49 7032 7806
135

Tel: 86 755
33966678
Fax: 86 755
33966700

Tel: 86 21 62787060
Fax: 86 2162786973

Tel: 65 6287 8998
Fax: 65 6287 8998

Fax: 886 3 4356823
(Pulse)
Fax: 886 3 4356820
(FRE)

Performance warranty of products offered on this data sheet is limited to the parameters specified. Data is subject to change without notice. Other brand and product names mentioned herein may be trademarks or registered trademarks of their respective owners. © Copyright, 2012. Pulse Electronics, Inc. All rights reserved.