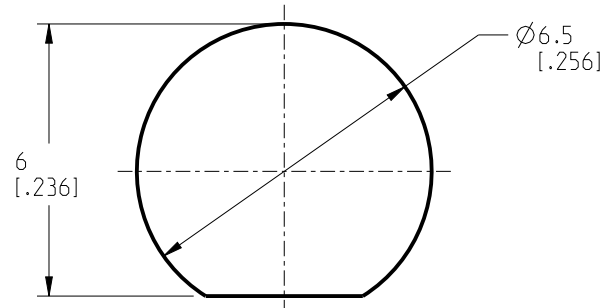
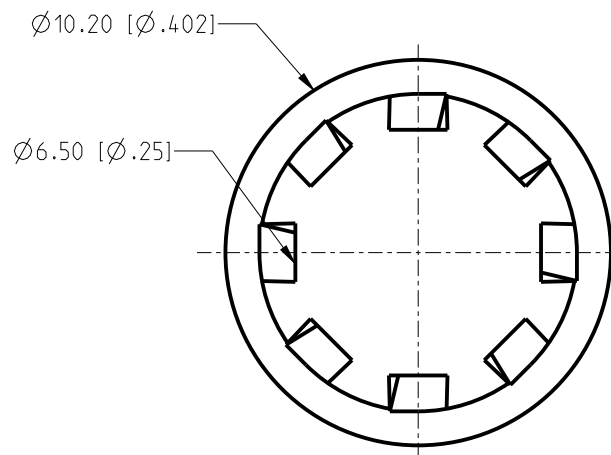
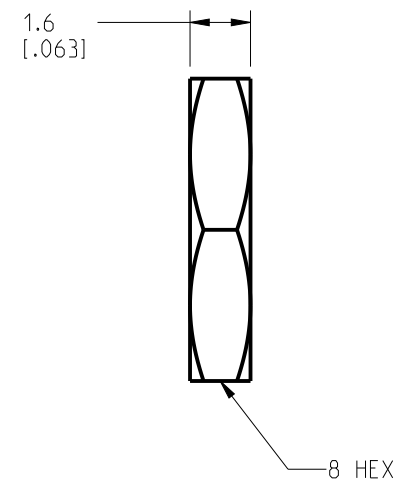


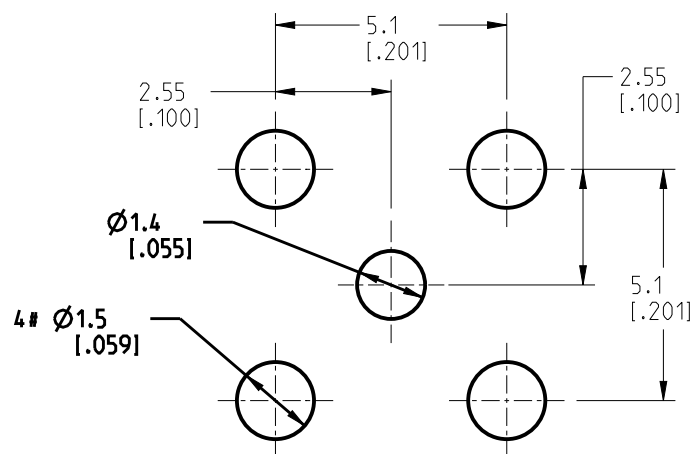
NOTES:

1. MATERIALS AND FINISHES:
  - BODY - BRASS, GOLD PLATING
  - CONTACT - BERYLLIUM COPPER, GOLD PLATING
  - INSULATOR - PTFE, NATURAL
  - NUT AND LOCK WASHER - BRASS, GOLD PLATING
2. ELECTRICAL:
  - A. IMPEDANCE: 50 OHM
  - B. FREQUENCY: DC - 12.4 GHz
  - C. DIELECTRIC WITHSTANDING VOLTAGE: 500 VRMS, MIN.
3. MECHANICAL:
  - A. DURABILITY: 500 CYCLES MIN.
  - B. TEMPERATURE RANGE: -65°C TO 165°C
4. MAX. PANEL THICKNESS: 4.2 mm
5. PACKAGING:
  - A. QUANTITY: SINGLE PACK
  - B. MARKING: PACKAGING TO BE MARKED "AMPHENOL RF, 132203-16, AND DATE CODE"

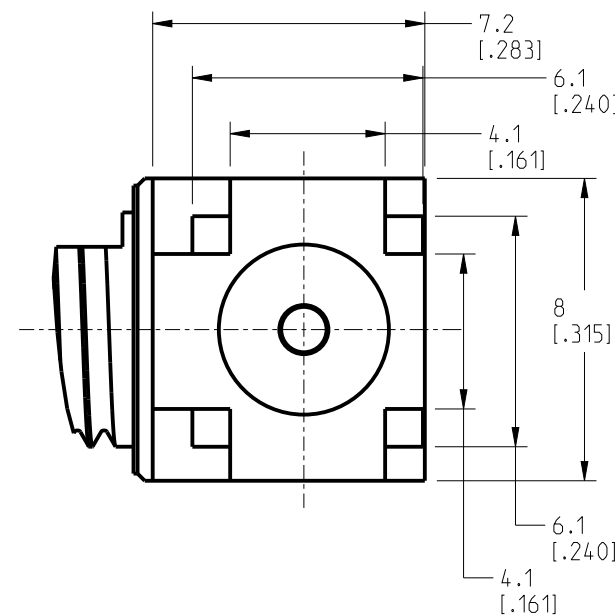
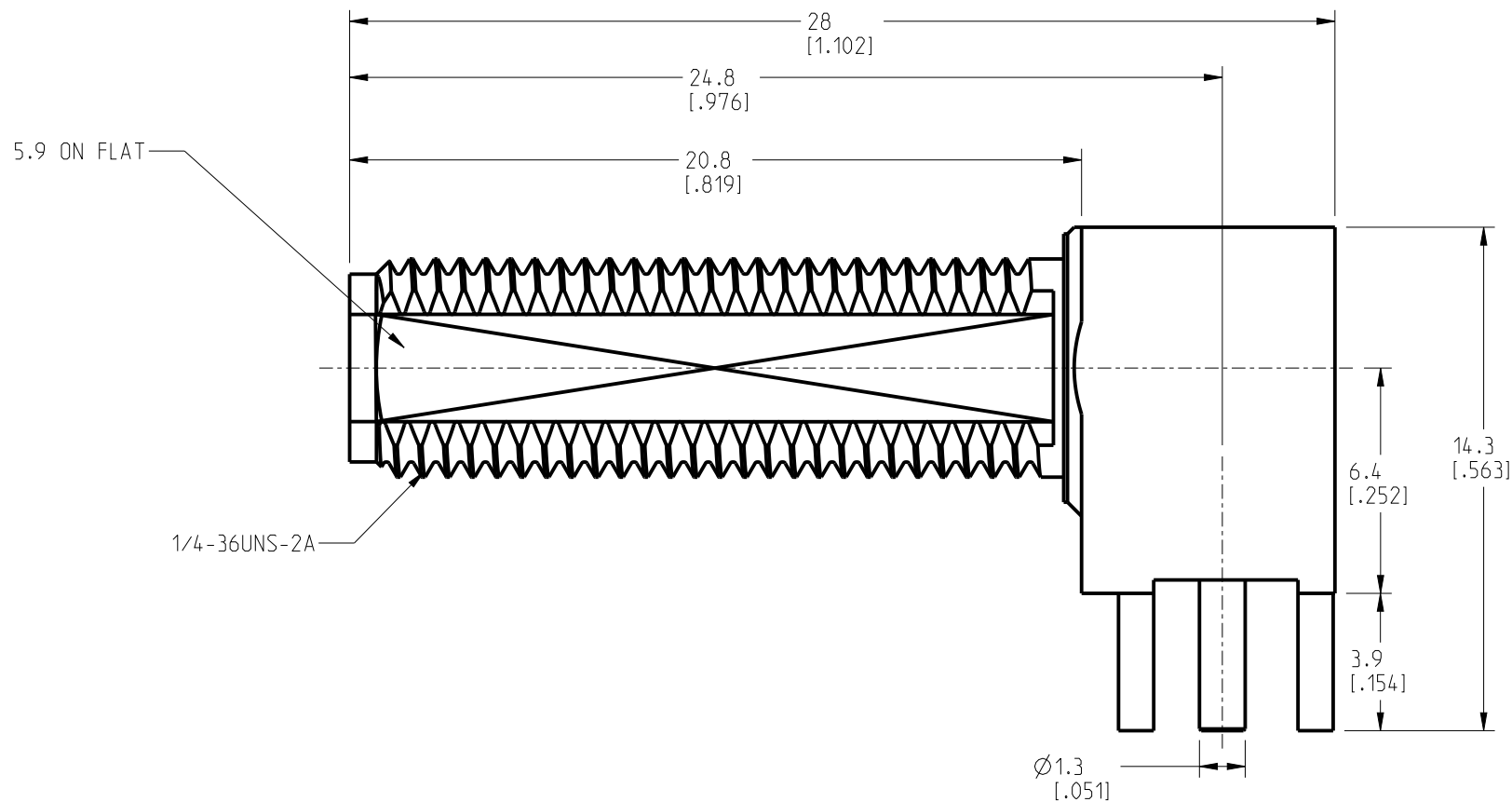
REVISIONS				
REV	DESCRIPTION	DATE	ECN	BY
A	RELEASE TO MFG	13 APR 2008	---	---
B	PRPROPOSED UPDATE RELEASE FOR MFG	29 SEP 2020	15551	DG



SCALE 6.000  
RECOMENDED  
MOUNTING HOLE



SCALE 6.000  
PCB MOUNTING HOLES



**CUSTOMER OUTLINE DRAWING**

ALL OTHER SHEETS ARE FOR INTERNAL USE ONLY

NOTICE: These drawings, specifications, or other data (1) are, and remain the property of Amphenol corp. (2) must be returned upon request; and (3) are confidential and not to be disclosed to any person other than those to whom they are given by Amphenol Corp. The furnishing of these drawings, specifications, or other data by Amphenol Corp., or to any other person to anyone for any purpose is not to be regarded by implication or otherwise in any manner licensing, granting rights to permitting such holder or any other person to manufacture, use or sell any product, process or design, patented or otherwise, that may in any way be related to or disclosed by said drawings, specifications, or other data.

UNLESS OTHERWISE SPECIFIED  
DIMENSIONS ARE METRIC (INCHES) AND TOLERANCES ARE:  
 <0.5mm = ±0.05mm [ $<0.020 = \pm 0.002$ ]  
 >0.5 - 6mm = ±0.1mm [ $>0.020 - 0.236 = \pm 0.004$ ]  
 >6.00 - 30mm = ±0.2mm [ $>0.236 - 1.181 = \pm 0.008$ ]  
 >30.00 - 120mm = ±0.3mm [ $>1.181 - 4.725 = \pm 0.012$ ]

MATERIAL  
ENGINEER  
T HOWLETT

TITLE  
SMA R/A BULKHEAD  
RECEPTACLE

Amphenol RF

SIZE	DRAWING NO. 132203-16	REV
	ITEM NO. 132203-16	B
	PART NO. 132203-16	

THIRD ANGLE PROJ.

REFERENCE EAR#

ANGLES = ±1°

DATE 24-SEP-20

SHEET NO. 2 OF 2 SCALE: 2.0:1.0