

## Horns and Sirens / Heavy-Duty multi-tone sounder Multi-t.sounder WM 31 tne 24VDC RD



Part No.: 129.052.55



### MECHANICAL DATA

Length	161 mm
Width	143 mm
Height	161 mm
Materials	Aluminium
Housing colour	Red
Protection category	IP66 IP67
Connection	Screw terminals
cross-sectional area maximum	2,50mm <sup>2</sup> / 14AWG
Cable entry	Screwed cable gland
Cable entry minimum	d = 8 mm
Cable entry maximum	d = 12 mm
Tension relief	Present (conforms to VDE)
Type of fixing	Wall mounting
Working temperature minimum	-40°C
Working temperature maximum	+55°C
Weight with packaging	2440 g
Product weight	2269 g

### ELECTRICAL DATA

Operating voltage	24V
Operating voltage type	DC
Operating voltage tolerance	+/- 10%
Rated operational voltage	24 VDC
Rated operational current	400 mA
Rated inrush current	1.600 mA
Protection class	Protection class 1
Pollution degree	3

### ACOUSTIC DATA

Volume (max) at 1m distance	110,0 dB (A)
Acoustic signal image	Multi-tone
Number of tones	32 tone
Acoustic service life	5,000 h minimum

### APPROVAL DATA

Conforms with CE	Yes
Conforms with RoHS directive	Yes
WEEE	Yes

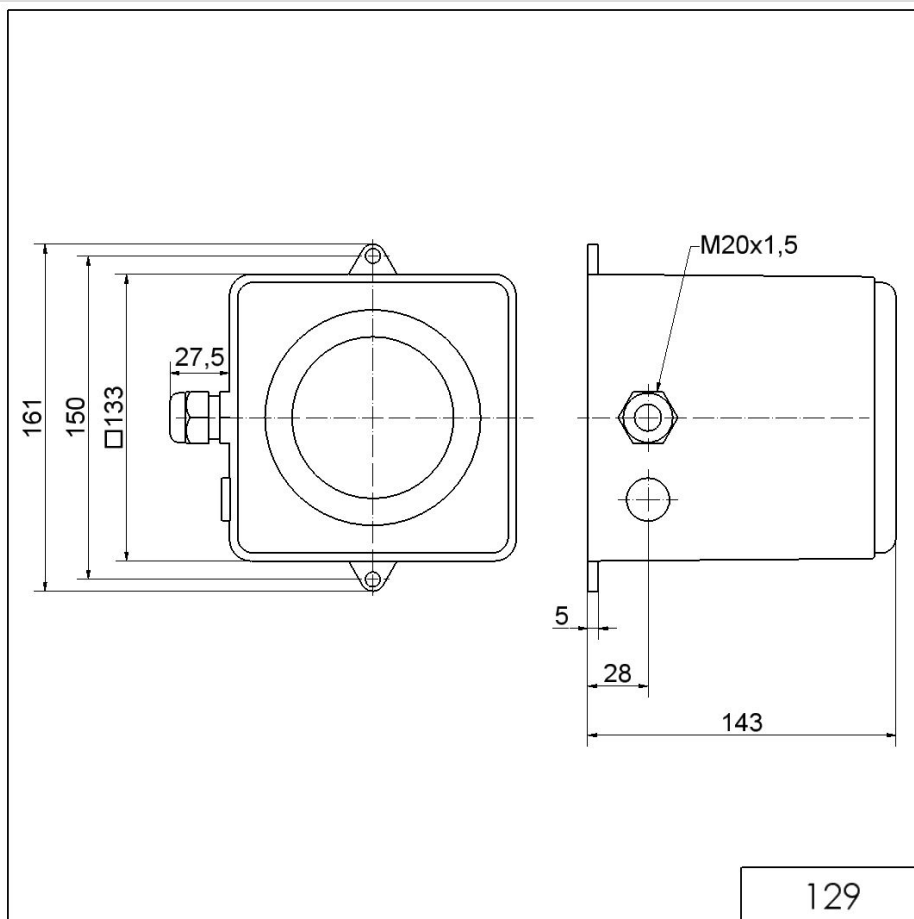


For additional installation and mounting information, refer to the appropriate user guide at [www.werma.com](http://www.werma.com). This printed copy is for information only and is subject to alteration.

Horns and Sirens / Heavy-Duty multi-tone sounder  
**Multi-t.sounder WM 31 tne 24VDC RD**

Conforms with ATEX-directive	No
Conforms with CCC	No
Conforms with UL	No
Conforms with FCC	No
Conforms with IC	No
EAC certificate available	Yes
Conforms with UKCA (Importer)	Yes (WERMA (UK) Ltd.)
Conforms with AS-I	No
ICAO Certification	No
Conforms with DNV	Yes
Conforms with RoHS CN	No
Conforms with VdS	No

**DRAWING**



! For additional installation and mounting information, refer to the appropriate user guide at [www.werma.com](http://www.werma.com). This printed copy is for information only and is subject to alteration.