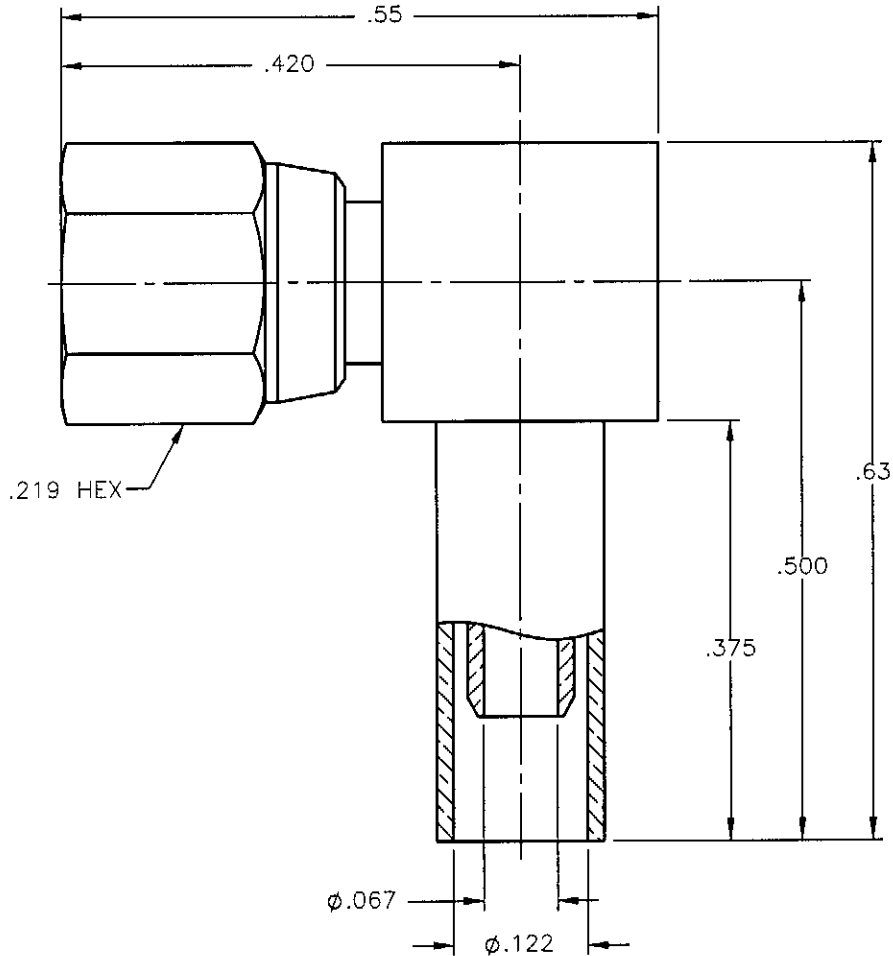


REVISIONS			
REV.	DESCRIPTION	DATE	APPROVED
A	ECO #7518	03/25/09	A.D.M.



NOTES:

MATERIALS:

1. INSULATORS = VIRGIN WHITE TEFLON PER ASTM D1710, GRADE 1, TYPE I, CLASS "B".
2. CONTACT = BERYLLIUM COPPER PER ASTM B196, ALLOY C17300, TEMPER TD04.
3. CRIMP SLEEVE = SEAMLESS LOWLEAD BRASS TUBE, ALLOY 330, SOFT ANNEAL TEMPER, .025/.060 GRAIN SIZE OR SEAMLESS COPPER TUBE PER ASTM B75, TYPE C12000, TEMPER: LIGHT ANNEAL O50 EXCEPT YIELD STRENGTH.
4. ALL OTHER METAL PARTS = BRASS PER ASTM B16, ALLOY C36000, TEMPER H02.

FINISHES:

1. CONTACT = GOLD PLATE PER MIL-G-45204, TYPE II, CLASS 1, GRADE C, OVER .00010 TO .00020 STRESS FREE SULFAMATE NICKEL PER QQ-N-290.
2. ALL OTHER METAL PARTS = GOLD PLATE PER MIL-G-45204, TYPE II, CLASS 0, GRADE C, OVER .00010 TO .00020 COPPER STRIKE PER MIL-C-14550.

Property of Radiall Incorporated  
This document cannot be reproduced or  
communicated to a third party without prior  
written permission of RADIALL Incorporated.

UNLESS OTHERWISE SPECIFIED  
DIMENSIONS ARE IN INCHES  
TOLERANCES ON

DWN: A.D.M. DATE 03/25/09

**AEP** APPLIED ENGINEERING PRODUCTS  
a RADIALL company 104 John W. Murphy Dr.  
New Haven, CT 06513

DECIMAL	ANGLE

CHKD: D.N. DATE 03/25/09

APVD: J.M. DATE 03/25/09

SMC RIGHT ANGLE FEMALE PLUG  
CRIMP TYPE  
FOR RG-316 & SIMILAR CABLES

REFERENCE:  
ORIGINATED: D.N.  
DATE: 03/25/00

MATERIALS & FINISHES:  
SEE NOTES

SIZE A	FSCM NO. 19505	DWG NO. 1105-1521-003	REV A
SCALE 6:1		THIRD ANGLE PROJECTION	SHEET 1 OF 1

1105-1521-003