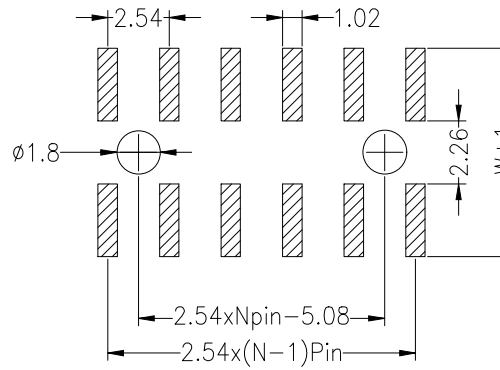
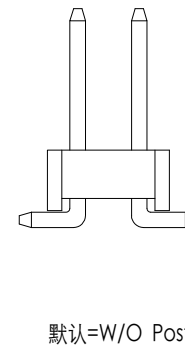
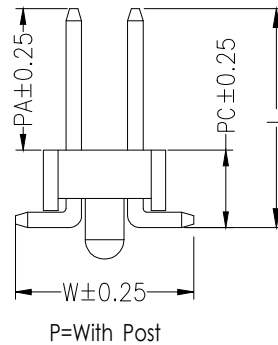
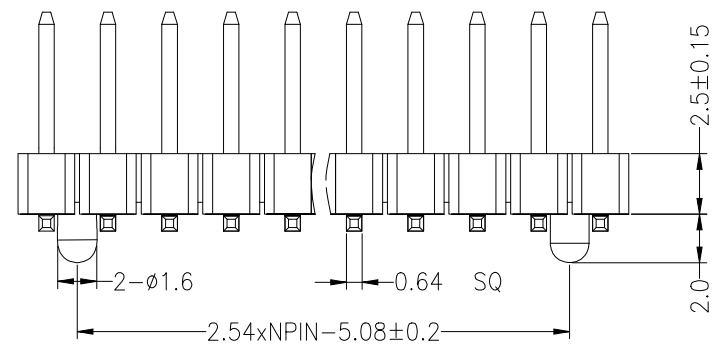


Recommended P.C.B Layout(Top Side)
(PCB BOARD TOLERANCE±0.05)



SPECIFICATIONS
 Rated Current:3.0AMP
 Contact Resistance:20mΩ Max
 Withstand Voltage:1000V AC/DC
 Insulation Resistance:1000MΩ Min
 Operation Temperature:-40°C to +105°C

Contact Material:Brass
 Contact Plating:Au or Sn Over Ni
 Insulator Material:Polyester(UL94V-0)
 Standard: PA6T
 Max.Processing Temp: 230°C for 30-60 seconds
 (260°C for 5 seconds)



Dimension antitheses list				
ITEM	PA	PB	W	L
Standard	6.00	2.20	7.50	9.20
Alternate				

Ordering Information

XDZ 254 - * - N - S - * - ** - P

- No. of Rows: 1=Single Row, 2=Dual Row
- No. of Pins: 02-40 Pin
- Type: Z=直针, W=弯针, S=直插, WS=弯插
- Length: 塑高
- Contact Plating: G0:Gold Flash, G1:10.8μ" Gold, G2:2.3μ" Gold, G3:5μ" Gold, G4:10μ" Gold, G5:15μ" Gold, G6:30μ" Gold, S0:Gold Flash/1in, S1:1in
- 默认=W/O Post, 无柱, P=With Post, 带柱

			GENERAL TOLERANCE	制图 DRAWING	深圳讯答科技有限公司 ShenzhenXundaTechnology Co.,Ltd			
			DIM TOL	审核 CHECK	产品名称 TITLE	2.54 双排 贴片排针 塑高2.5	版本 REV.	A
			X.X ±0.30	批准 APPROVAL	产品料号 PART NO.	XDZ254-2-N-S-2.5-G1	单位 UNITS	mm
			X.XX ±0.20	比例 SCALE	材料 MATERIAL		页次 SHEET	1/1
			X.XXX ±0.10	投影 Projection				
			Angle ±3.0°					
序号 No.	变更内容 MODIFY CONTENT	日期 MODIFY DATE						