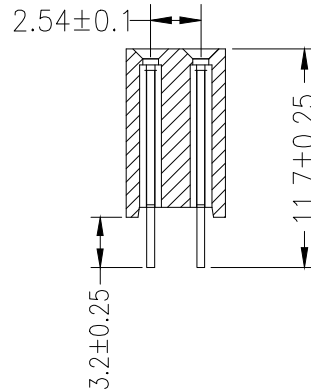
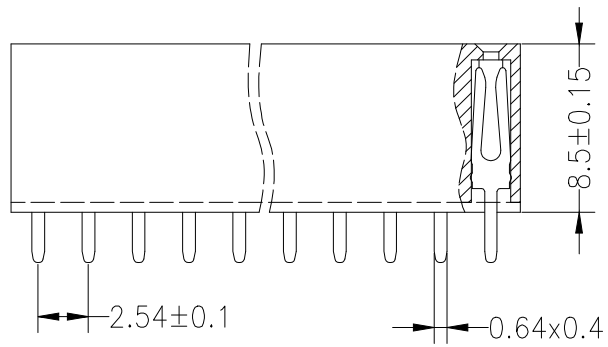
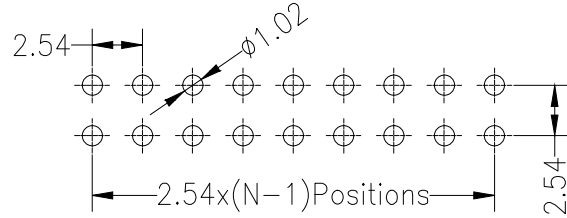
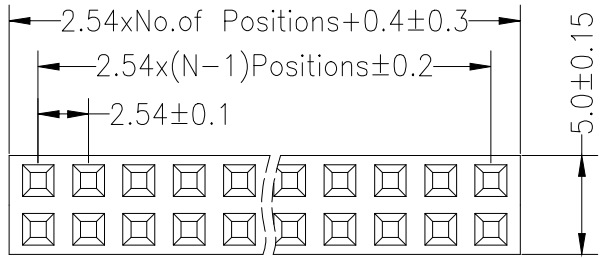


Recommended P.C.B Layout(Top Side)  
(PCB BOARD TOLERANCE±0.05)



SPECIFICATIONS

Rated Current:3.0AMP  
Contact Resistance:20mΩMax  
Withstand Voltage:1000V AC/DC  
Insulation Resistance:1000MΩMin  
Operation Temperature:-40°c to +105°c

Contact Material:Copper Alloy  
Contact Plating:Au or Sn Over Ni  
Insulator Material:Polyester(UL94V-0)  
Standard: PA6T  
Max.Processing Temp: 260°C±5°C 5S

Ordering Information

XDM 254 - \* - N - Z - \* - \*\*

No. of Rows  
1=Single Row  
2=Dual Row

No. of Pins  
02-40 Pin

Type  
Z=直针  
W=弯针  
S=立端  
WS=带贴

Length  
英寸

Contact Plating  
G0:Gold Flash  
G1:1u' Gold  
G2:3u' Gold  
G3:5u' Gold  
G4:10u' Gold  
G5:15u' Gold  
G6:30u' Gold  
S0:Gold Flash/Tin  
S1:tin

			GENERAL TOLERANCE	制图 DRAWING	<b>深圳讯答科技有限公司</b> ShenzhenXundaTechnology Co.,Ltd			
			DIM TOL	审核 CHECK				
			X.X ±0.30	批准 APPROVAL	产品名称 TITLE	2.54 双排 直排母 (塑高8.5)	版本 REV.	A
			X.XX ±0.20	比例 SCALE	产品料号 PART NO.	XDM254-2-N-Z-8.5-G0	单位 UNITS	mm
			X.XXX ±0.10	投影 Projection	材料 MATERIAL		页次 SHEET	1/1
序号 No.	变更内容 MODIFY CONTENT	日期 MODIFY DATE	Angle ±3.0°					