

MATERIALS AND FINISHES

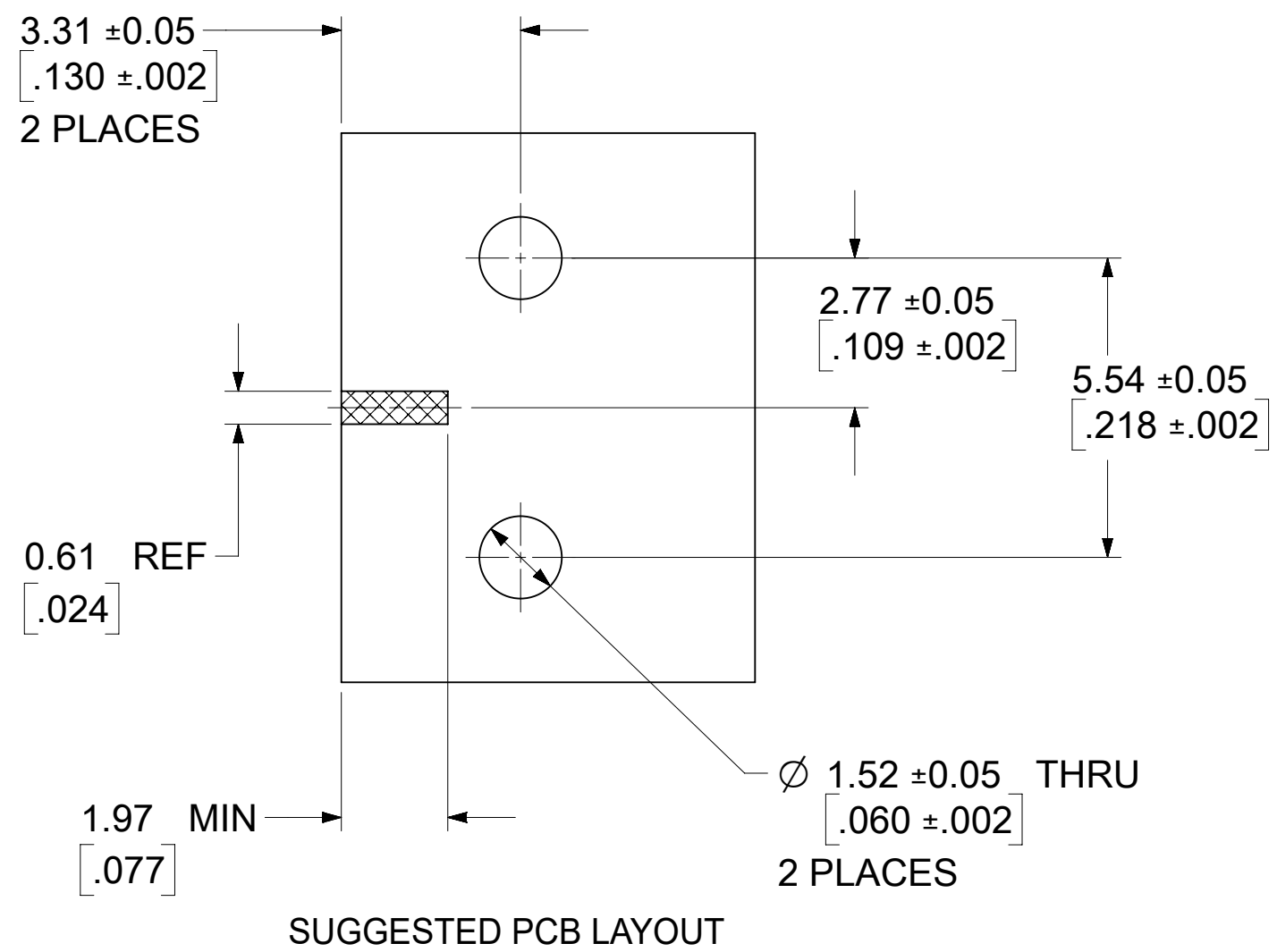
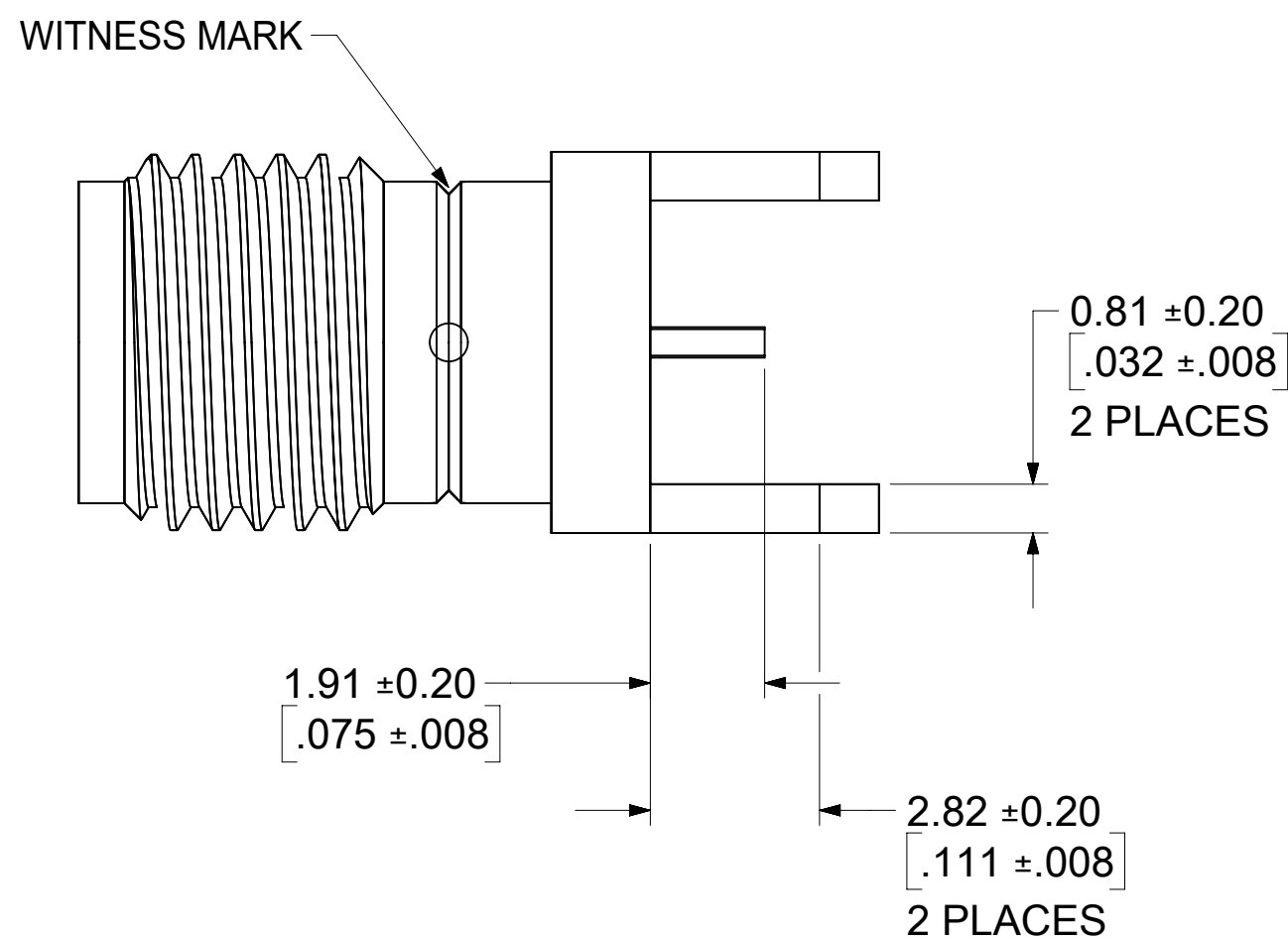
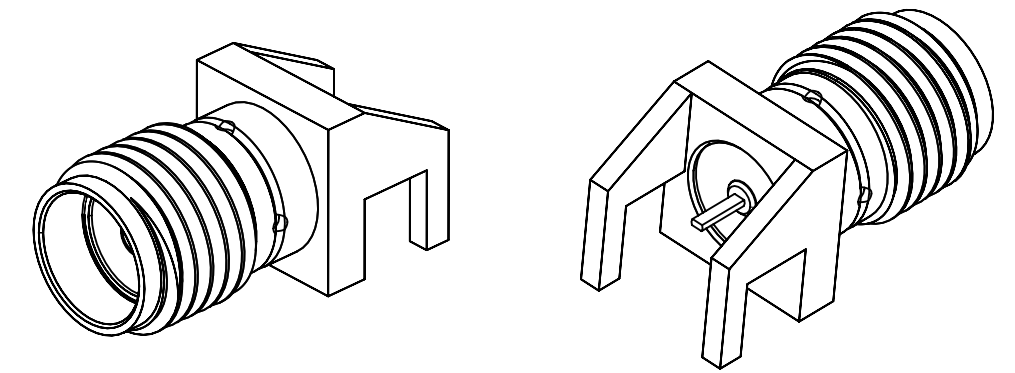
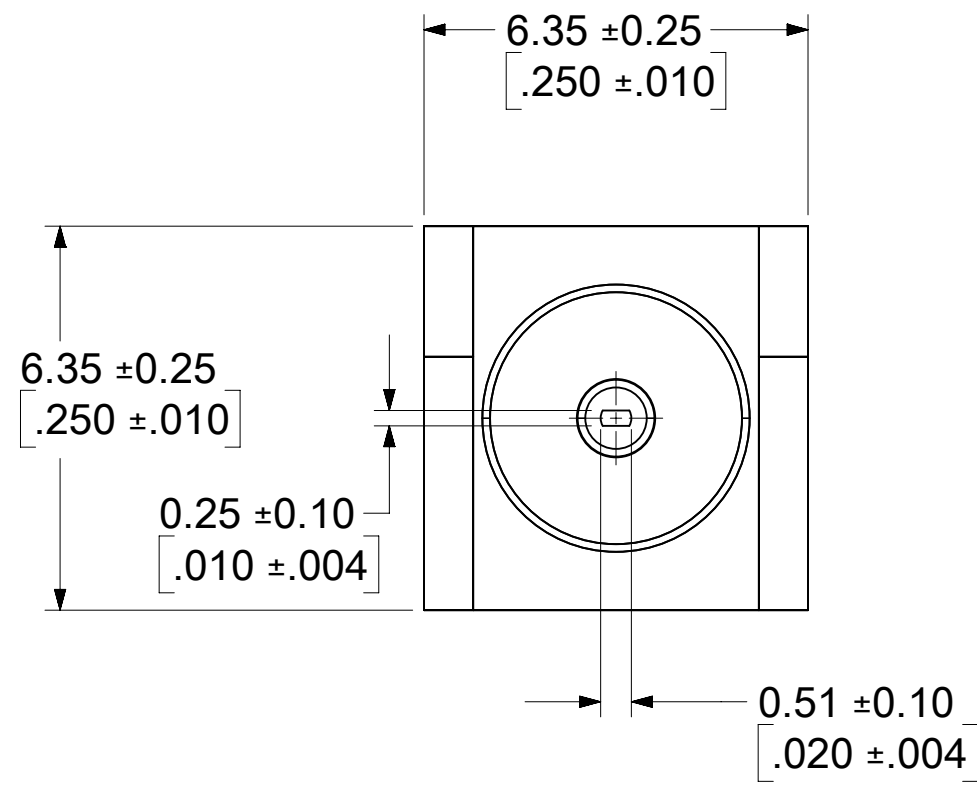
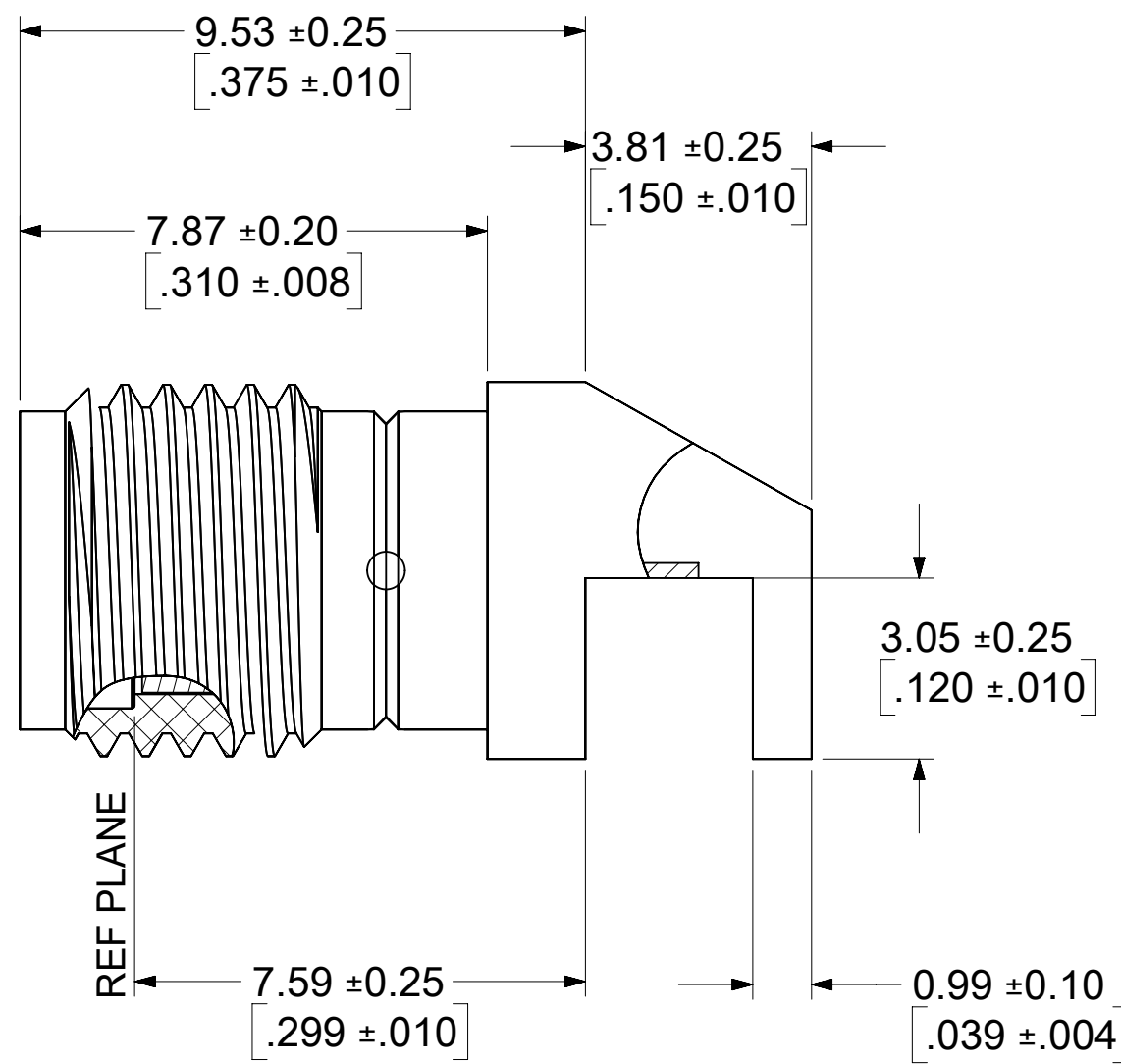
BODY: BRASS  
PLATED SEE TABLE

INSULATOR: TEFLON

CONTACT: BERYLLIUM COPPER  
PLATED SEE TABLE

PACKAGE SEE 895420040 DRAWING

CENTER CONTACT RETENTION:  
TORQUE: 4 IN-OZ  
AXIAL: 6 LBS



PS-89675-3460	PRODUCT SPECIFICATION
MIL-STD-348A, FIG. 310.2	INTERFACE SMA JACK
SPECIFICATION	DESCRIPTION

73251-2442	GOLD 1 u" MIN.	GOLD 1 u" MIN.
73251-2441	GOLD 3 u" MIN.	GOLD 50 u"
73251-2440	GOLD 3 u" MIN	GOLD 30 u"
PART NO.	BODY PLATING	CENTER CONTACT PLATING

FUNCTIONAL SYMBOLS										THIS DRAWING CONTAINS INFORMATION THAT IS PROPRIETARY TO MOLEX ELECTRONIC TECHNOLOGIES, LLC AND SHOULD NOT BE USED WITHOUT WRITTEN PERMISSION									
DIMENSION UNITS		SCALE		CURRENT REV DESC:															
MM/INCH		NTS		EWR # 14997-A ADDED -2442 PART NO															
GENERAL TOLERANCES (UNLESS SPECIFIED)										EC NO: 698778									
ANGULAR TOL ± 2.0°										DRWN: JSU18 2022/02/14									
4 PLACES ±										CHK'D: YCHENG 2022/03/17									
3 PLACES ±										APPR: YCHENG 2022/03/17									
2 PLACES ±										INITIAL REVISION:									
1 PLACE ±										DRWN: AROBERTS 2004/08/12									
0 PLACES ±										APPR: JWIENER 2004/08/12									
DRAFT WHERE APPLICABLE MUST REMAIN WITHIN DIMENSIONS					THIRD ANGLE PROJECTION		DRAWING		SERIES		DOCUMENT NUMBER		DOC TYPE		DOC PART		REVISION		
							C-SIZE		73251		SD-73251-244		PSD		001		B1		
											MATERIAL NUMBER		CUSTOMER		SHEET NUMBER				
											GENERAL MARKET				1 OF 1				

DOCUMENT STATUS	P1	RELEASE DATE	2022/03/17	04:35:47
-----------------	----	--------------	------------	----------